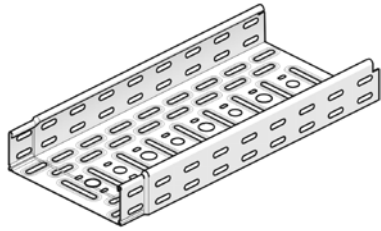


KBSI 60

QUICK & CLICK

Cable tray with interlocking ends



Interlocking ends
Alternative perforations
Return flanges

On Demand	Powder coating / Duplex System
Standard finish	Pre-galvanised
Optional finish 1	Hot-dip galvanised

HD	Reference	↑ mm	↔ mm	↔ mm	↔ mm	kg/m	⊞	Stock	Unit
HD	KBSI 60*075*0.75	60	75	0.750	3000	1.050	60	✓	m
-	KBSI 60*075*1.00	60	75	1.000	3000	1.400	60	✓	m
-	KBSI 60*075*1.25	60	75	1.250	3000	1.750	60	✓	m
HD	KBSI 60*100*0.75	60	100	0.750	3000	1.170	60	✓	m
HD	KBSI 60*100*1.00	60	100	1.000	3000	1.560	60	✓	m
-	KBSI 60*100*1.25	60	100	1.250	3000	1.950	60	✓	m
HD	KBSI 60*150*0.75	60	150	0.750	3000	1.420	30	✓	m
HD	KBSI 60*150*1.00	60	150	1.000	3000	1.890	30	✓	m
-	KBSI 60*150*1.25	60	150	1.250	3000	2.360	30	✓	m
HD	KBSI 60*200*0.75	60	200	0.750	3000	1.660	30	✓	m
HD	KBSI 60*200*1.00	60	200	1.000	3000	2.220	30	✓	m
-	KBSI 60*200*1.25	60	200	1.250	3000	2.770	30	✓	m
HD	KBSI 60*250*0.75	60	250	0.750	3000	1.910	30	✓	m
-	KBSI 60*250*1.00	60	250	1.000	3000	2.540	30	✓	m
HD	KBSI 60*300*0.75	60	300	0.750	3000	2.150	30	✓	m
HD	KBSI 60*300*1.00	60	300	1.000	3000	2.870	30	✓	m
-	KBSI 60*300*1.25	60	300	1.250	3000	3.580	30	✓	m
HD	KBSI 60*400*1.00	60	400	1.000	3000	3.520	30	✓	m
-	KBSI 60*400*1.25	60	400	1.250	3000	4.400	30	✓	m
HD	KBSI 60*500*1.00	60	500	1.000	3000	4.170	30	✓	m
-	KBSI 60*500*1.25	60	500	1.250	3000	5.210	30	✓	m
-	KBSI 60*600*1.00	60	600	1.000	3000	4.820	30	✓	m
-	KBSI 60*600*1.25	60	600	1.250	3000	6.030	30	✓	m

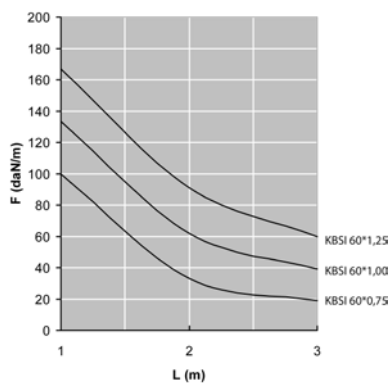
To fix with:

-	KBV	-	-	-	-	0.010	96	✓	piece
---	------------	---	---	---	---	-------	----	---	-------

LOAD DIAGRAM

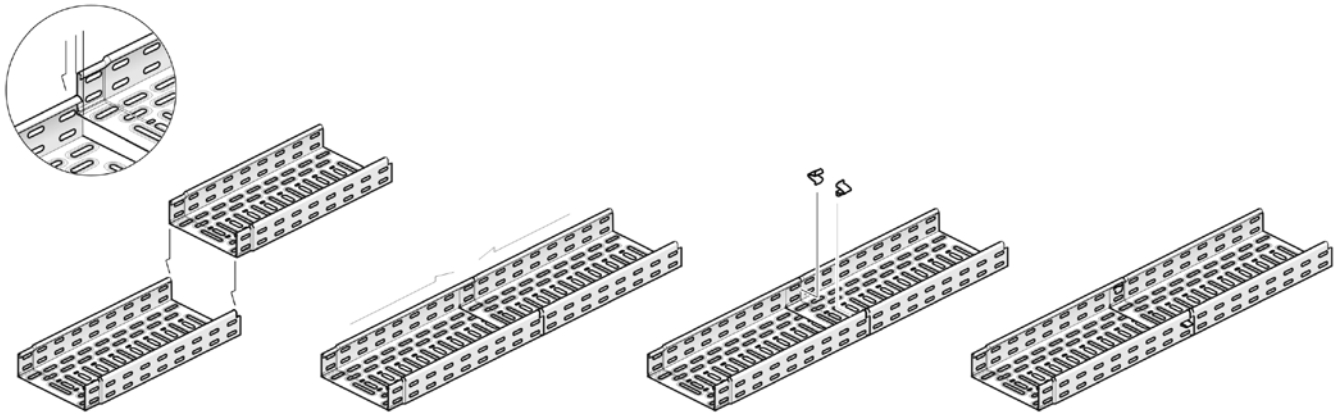
Graph valid for KBSI 60. This diagram illustrates the permissible uniformly distributed loads applied to multiple supports. They comply with IEC 61537 par 10.3.3 test type III with connection to 1/5 of the span.

F = max. admissible load (daN/m)
L = support distance (m)
Max. deflection (m) = L/100



Other lengths min. 1.80 m / max. 6 m for each run of 100 mm.

Mounting principle



How do you proceed ?

Very simple :

1. Put two lengths together.
2. Slide them into each other.
3. Fix clips KBV for extra stability and safe locking.
4. Finished !!!

This system offers you various advantages :

1. Smaller cost price.
2. Faster mounting.
3. No bolts and nuts required.
4. Fixation with clips.
5. Earthing.
6. Easier fixation thanks to alternative perforations.
7. Better stability thanks to embedded perforations.
8. Better aeration of the cables thanks to embedded perforations.
9. Integrated cable protection thanks to overlapping ends.
10. Smooth finishing touch.
11. Smaller stock investment.