



DTX-PLA002PRP

Replacement Parts for DTX-PLA002 Permanent Link Adapters

Installation Instructions

The DTX-PLA002PRP is a set of contact tips and latches that replace worn tips and latches on DTX-PLA002 permanent link adapters.

The kit comes with the following:

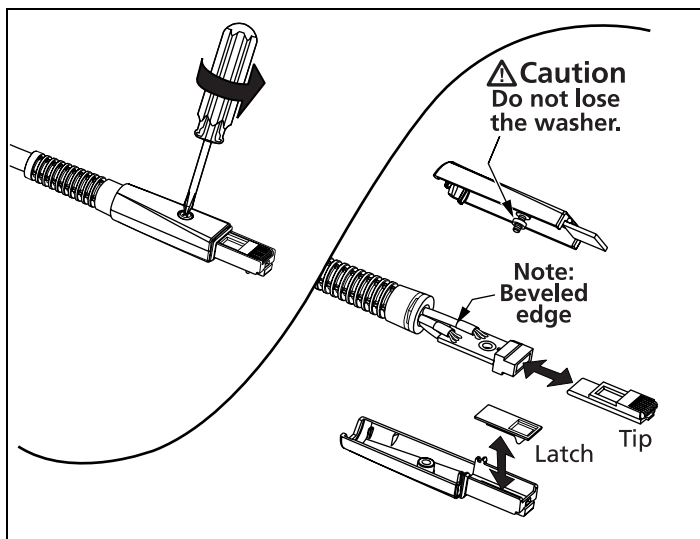
- Two 8-pin modular (RJ45) tips
- Two latches
- Two screws
- Two conductive washers
- Installation instructions

PN 2712841 (English) July 2006

© 2006 Fluke Corporation. All rights reserved. Printed in USA.
All product names are trademarks of their respective companies.

Replacing the Tip or Latch

- 1 Remove the DTX-PLA002 adapter from the DTX tester.
- 2 Use a Phillips screwdriver to loosen the screw on the connector case; then remove and replace the tip or latch as shown below.
- 3 Verify that the conductive washer is on the case screw as shown below.
- 4 Reassemble the connector case, noting the orientation of the beveled edge on the socket; then tighten the screw.



eio01.eps

Replacing the Tip and Latch

Contacting Fluke Networks



www.flukenetworks.com



support@flukenetworks.com



+1-425-446-4519

- Australia: 61 (2) 8850-3333 or 61 (3) 9329-0244
- Beijing: 86 (10) 6512-3435
- Brazil: 11 3044 1277
- Canada: 1-800-363-5853
- Europe: +44-(0)1923-281-300
- Hong Kong: 852 2721-3228
- Japan: 03-3434-0510
- Korea: 82 2 539-6311
- Singapore: 65 6799-5566
- Taiwan: (886) 2-227-83199
- USA: 1-800-283-5853
- Anywhere in the world: +1-425-446-4519

Visit our website for a complete list of phone numbers.

Specifications

Life of tip contacts (typical): > 5,000 cycles

See the *DTX Series CableAnalyzer Technical Reference Handbook* and the *DTX-PLA002 Instruction Sheet* for additional specifications.

LIMITED WARRANTY AND LIMITATION OF LIABILITY

Fluke Networks mainframe products will be free from defects in material and workmanship for 1 year from the date of purchase. Parts, accessories, product repairs and services are warranted for 90 days, unless otherwise stated. Ni-Cad, Ni-MH and Li-Ion batteries, cables or other peripherals are all considered parts or accessories. This warranty does not cover damage from accident, neglect, misuse, alteration, contamination, or abnormal conditions of operation or handling. Resellers are not authorized to extend any other warranty on Fluke Networks' behalf. To obtain service during the warranty period, contact your nearest Fluke Networks authorized service center to obtain return authorization information, then send your defective product to that Service Center with a description of the problem.

THIS WARRANTY IS YOUR ONLY REMEDY. NO OTHER WARRANTIES, SUCH AS FITNESS FOR A PARTICULAR PURPOSE, ARE EXPRESSED OR IMPLIED. FLUKE NETWORKS IS NOT LIABLE FOR ANY SPECIAL, INDIRECT, INCIDENTAL OR CONSEQUENTIAL DAMAGES OR LOSSES, ARISING FROM ANY CAUSE OR THEORY. Since some states or countries do not allow the exclusion or limitation of an implied warranty or of incidental or consequential damages, this limitation of liability may not apply to you.

Fluke Networks
PO Box 777
Everett, WA 98206-0777
USA