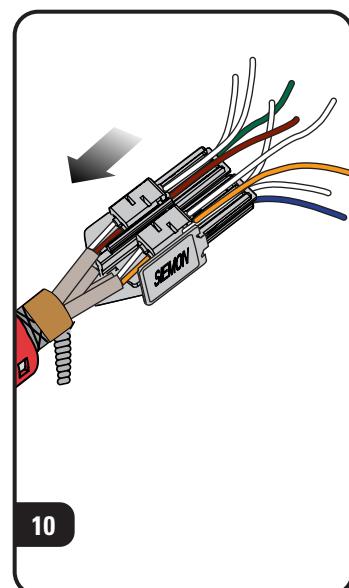
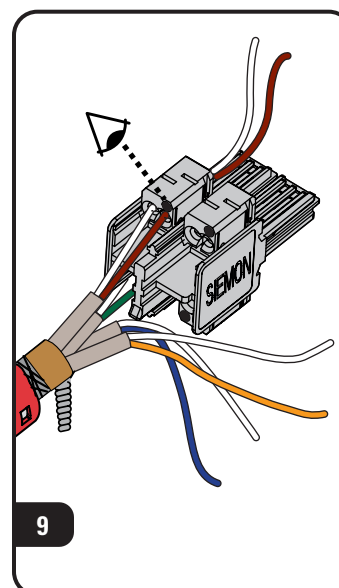
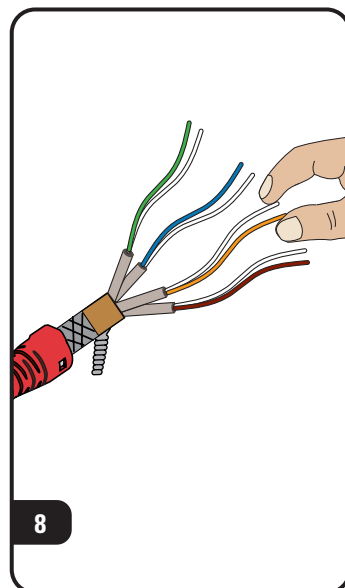
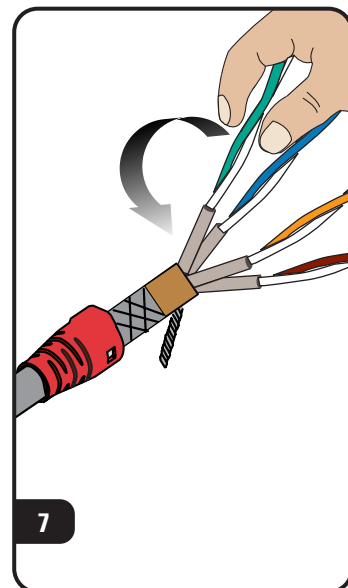
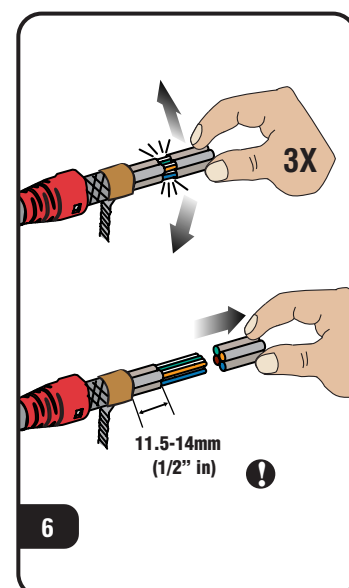
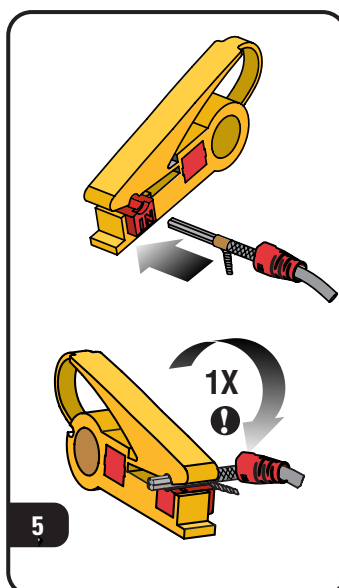
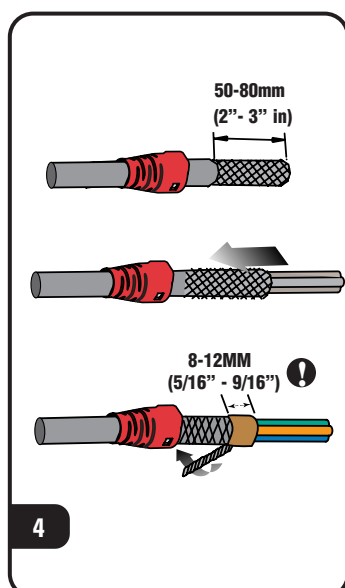
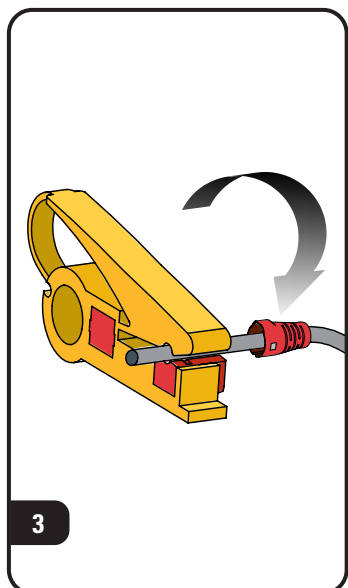
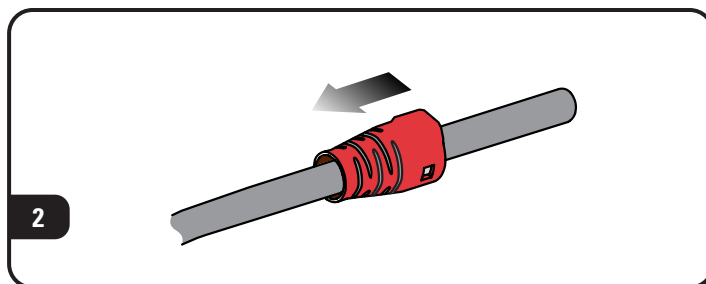
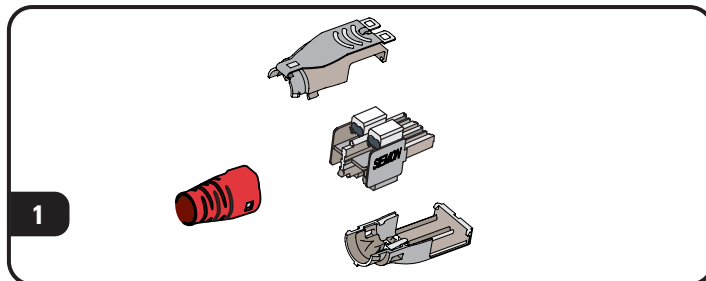
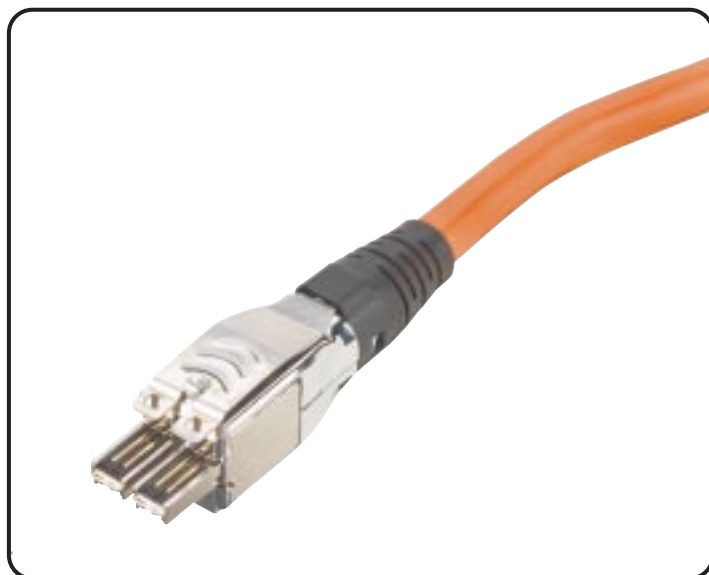
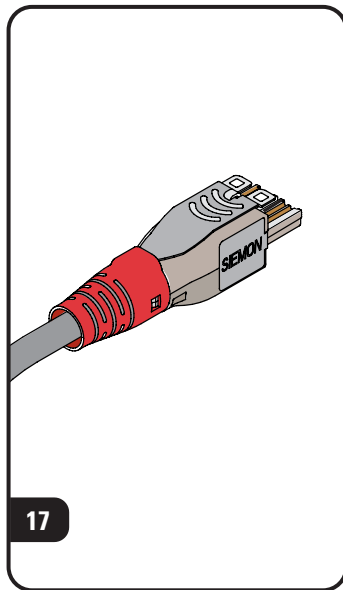
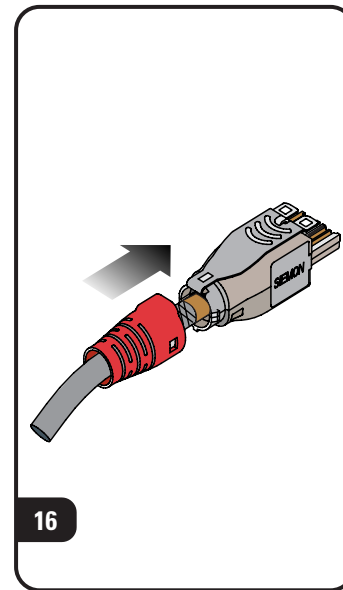
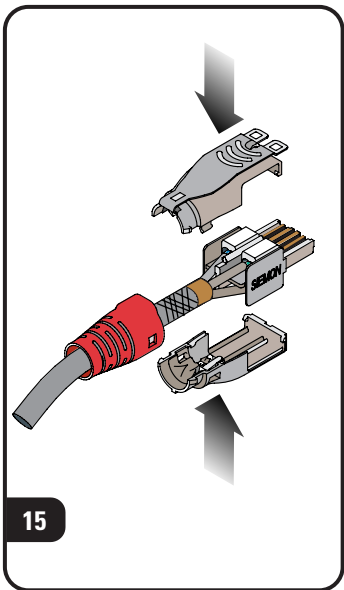
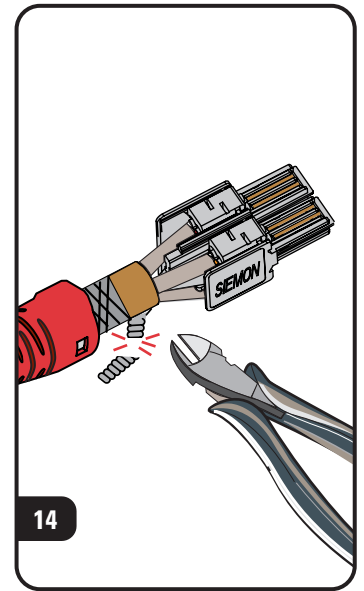
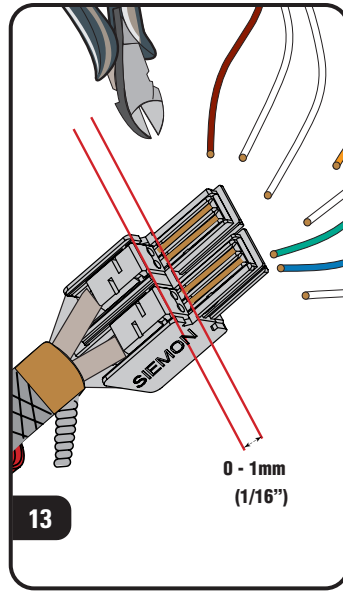
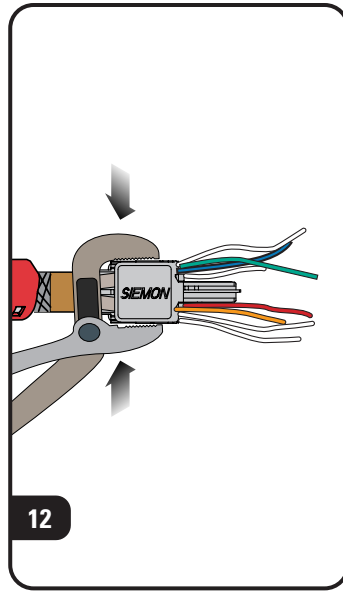
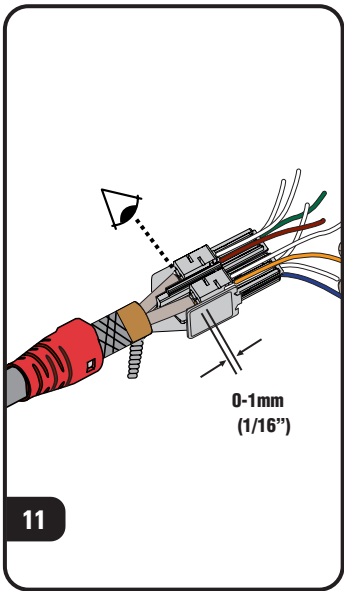


TERA™, 4-pair plug cable preparation and termination instructions





To assist safe installations, comply with the following:

- A. Use caution when installing or modifying telecommunications circuits.
- B. Never touch uninsulated wire terminals unless the circuit has been disconnected.
- C. Never install this device in a wet location.
- D. Never install wiring during a lightning storm.



**The Siemon Company
Australia**

Sydney, Australia
Tel: (61) 2 9452 2666

**The Siemon Company
Canada**

Markham, Ontario
Tel: (1) 905 940 9223

**The Siemon Company
China**

Beijing, P.R. China
Tel: (86) 10 6559 8860

**The Siemon Company Ltd.
Europe & Middle East**

Woking, England
Tel: (44) (0) 1483 480040

**The Siemon Company
Latin America**

Coral Gables, Florida USA
Tel: (1) 305 446 9150

**Latin American Sales
Manufacturer's Representatives**

Castroville, Texas USA
Tel: (1) 830 538 6375

**The Siemon Company
Southeast Asia**

Singapore
Tel: (65) 285 7579

**The Siemon Company
USA**

Watertown, Connecticut
Tel: (1) 860 274 2523