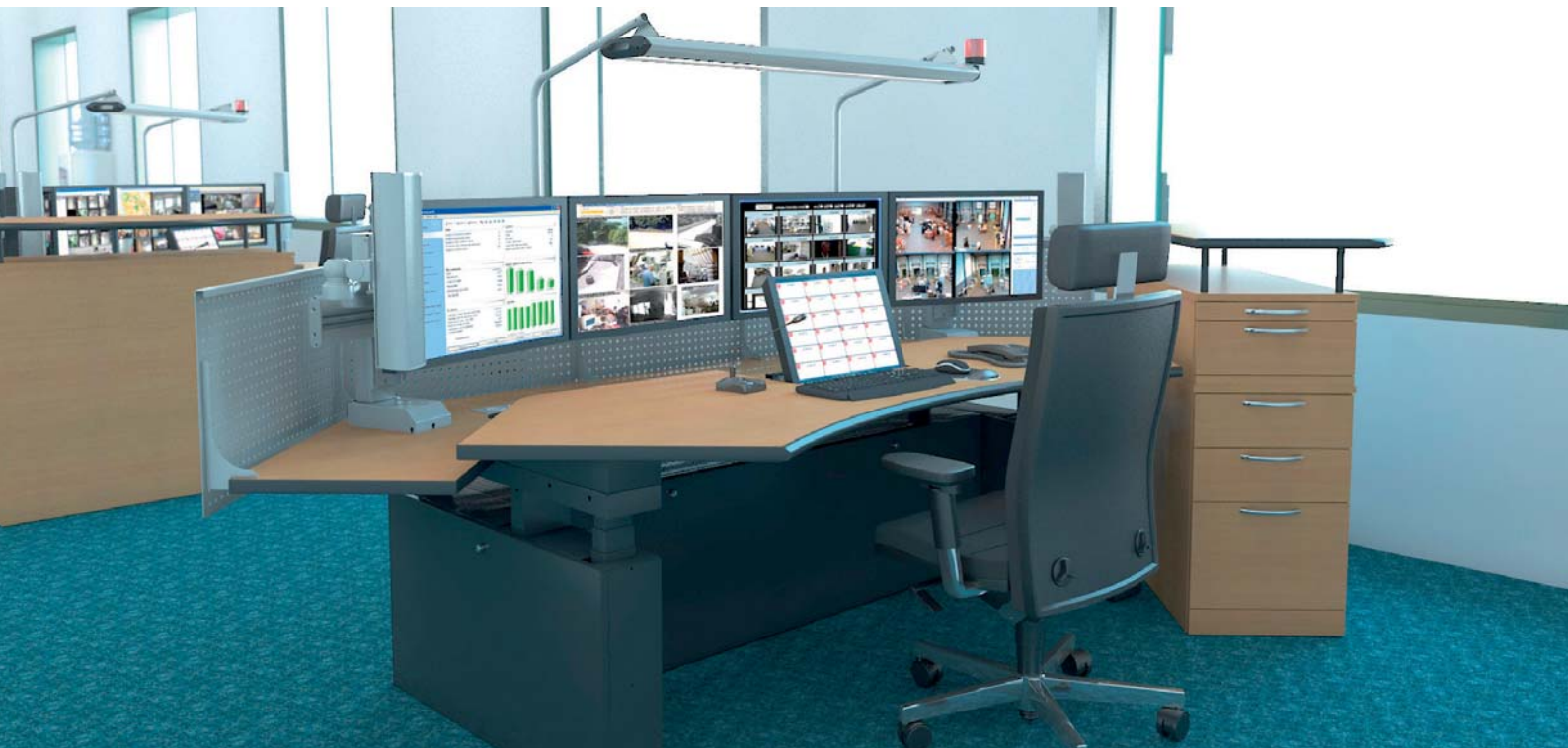


Knürr ErgoCon®

Height-Adjustable Console With Efficient Cable Management



Knürr ErgoCon[®]

Safety And Comfort On All Levels



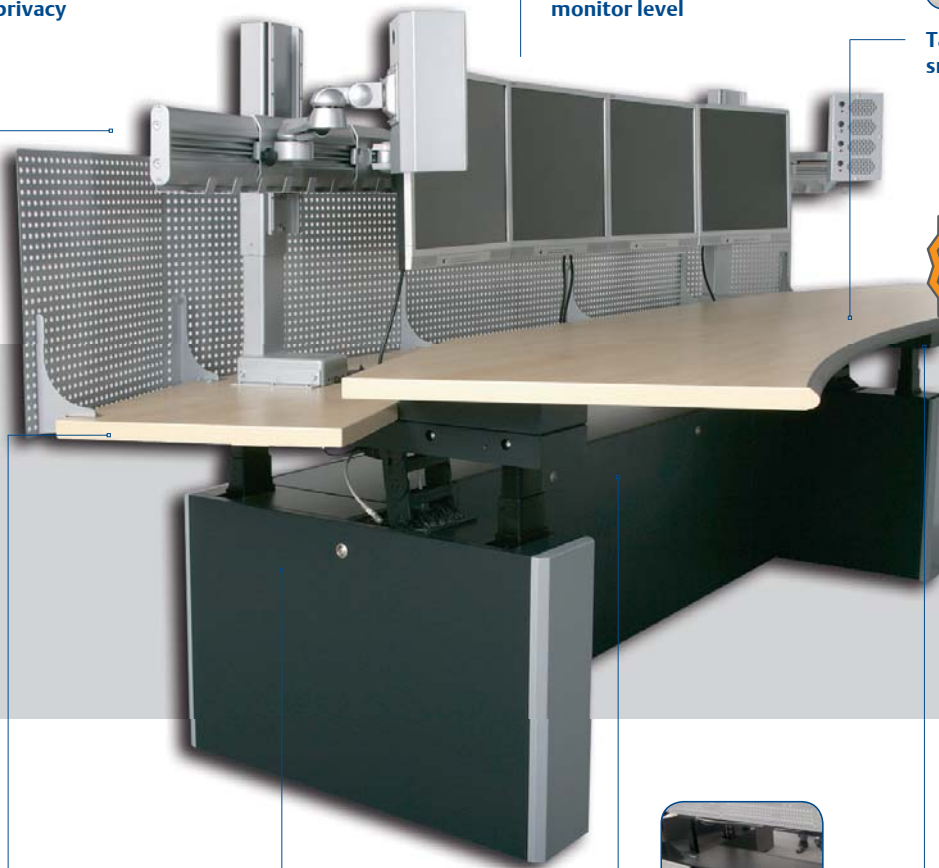
Perforated straight or curved privacy rear panel



Height adjustable monitor level



Table top option: extra smooth Nano surface



Drop-down monitor shelf



Side panel with fully integrated cable management



Plenty of room for cables, switches and power supplies in the generously dimensioned pedestal



Combined user interface

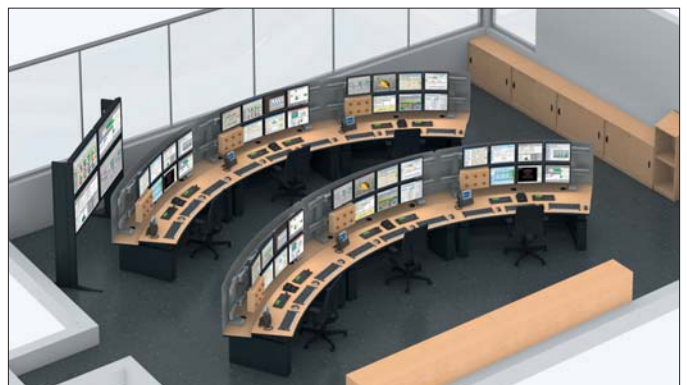


New standard in electrically actuated sit-stand functionality

- **Maintenance free** and absolutely **reliable** lifting mechanism columns are running very quietly and smoothly
- The worktop height can be set optionally in **two intervals**: between 650 to 1250mm or between 680 and 1250 mm (dependent on the technical configuration)
- Ideal and absolutely **vibration free** load balancing through a **4 column system**
- **Steplessly** variable height setting
- **Overload protection** with individual current limiting
- **Individually programmable height positions**



Examples of use:



Knürr ErgoCon®

Safe investment through standard compliance

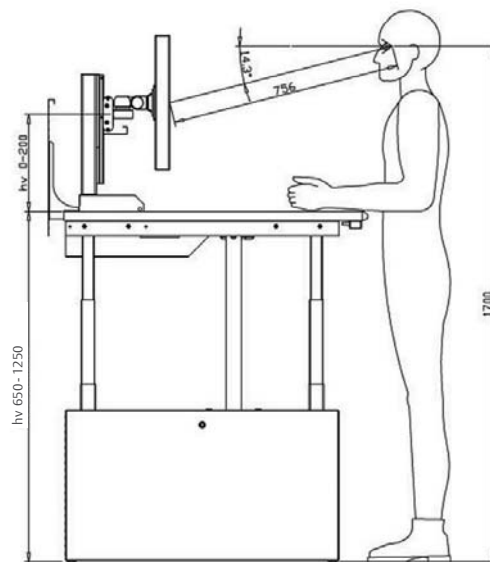
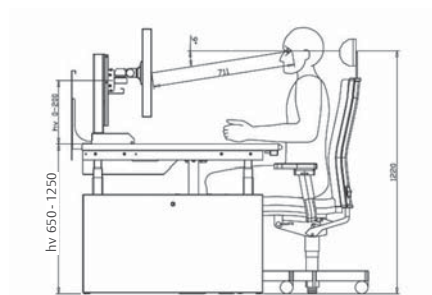
- **DIN EN 527** – defines minimum standards for height adjustment at working environments:

Type A: min. 650 to 1250mm

Type B: min. 680 to 1180mm

ErgoCon fulfills both preconditions!

- **DIN EN ISO 11064**: Ergonomic design of control centres



Visualization requirements are increasing in all monitoring areas. More and more monitors are being set up at the workstation. The user must maintain a transparent overview in order to optimally perform their monitoring and controlling tasks.

As the user consequently works at an increasingly higher stress level, it is important that stress factors be kept as low as possible, and a

pleasant work environment be provided. In shift work and in operations with constantly changing users at a workstation in particular, the individual setting of work heights, tilt and viewing angle on the monitors are especially important.

System solutions must be provided to guarantee smooth, **safe, functional and secure process flows** in control rooms.

Knürr's certified workstation experts apply the latest ergonomic and occupational therapy expertise in ensuring the best possible solutions, and the latest state-of-the-art technology in control room consoles in every single individual case.

Knürr ErgoCon® can meet practically every single control workstation requirement.



DIN
EN 527

Knürr ErgoCon®

Efficient integration and cable management



The Knürr Technical Furniture GmbH offers almost complete and comprehensive Solutions for your technical furniture project .

The focus is on all relevant criteria for efficient and standard-compliant design of work environments. We already support from an early design phase, actively support your planning process and coordinate, if necessary, all crafts.



■ Ergonomic and robust table-edge

- The soft plastic materials convey a pleasant surface temperature, to positively affect the feel and perception of users
- The use of resistant and robust Materials guarantees a long service life
- Solid-coloured material prevents paint damage



■ Ventilation concept:

- On request, perforated rear panels for technical compartments, rear panels with grille (optional with active ventilation) or closed units with easy locking.



■ Tabletops with curved or straight front edges available

■ Speakers

various models available



■ TFT Adaption

- Ergonomic monitor connection with TFT adaption to the curved functional rail guarantees optimum monitor viewing distances
- Freely positionable functional rail and monitor columns on the worktop and individual TFT mounting with grid perforation
- Optional, stepless electrically actuated height adjustment



■ Drop-down monitor shelf (70 mm)

- Optimum monitor tilt angle with an electric height-adjustable monitor column
- Blinds, on request acoustic effective



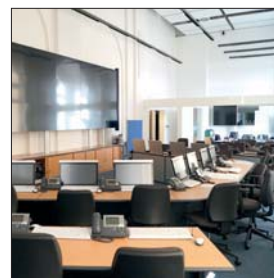
■ Spacious technical pedestal

- For accepting mounting panels, chassis rails, computers and other equipment
- Full legroom with a width of 1600 mm, 2000 mm or 2400 mm
- Individually adaptable and extendable technical compartment



■ Various console pods

- For positioning Touchscreens, equipment or modular panels
- Mounting rails for shelves and slide rails



■ Additional furniture

- Comprehensive range of:
 - Media Walls
 - Video stacks
 - Cabinets and mobile containers
 - Mounting solutions
 - Acoustic elements and partition walls



■ Intelligent and hidden cable management

- Spacious cable tray under the worktop for housing socket strips, switches and KVM extenders
- Spacious, two-way cable chain in the base units with separator for separate cable routing
- Cable comb under the monitors – suitable for straight, concave and convex cable routing
- Cable management along the functional rail: with link chain, Velcro or fastening coils
- Cable exits on the desk surface for equipment cabling options
- Cable exits in the console base: cable routing via raised floors or in existing boreholes is also possible
- Cabling system: basket tray with cable routing rings

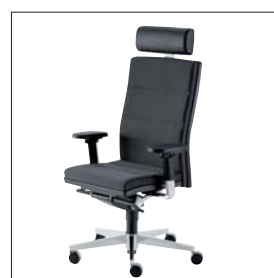


■ System Lamps

- Modern and energy saving workplace lamps with non-glare and dimmable light and more workstation lamps



■ Wide range of chairs



Ergonomically designed products and solutions from a single source

Emerson Network Power, a business of **Emerson** (NYSE:EMR), delivers software, hardware and services that maximize availability, capacity and efficiency for data centers, healthcare and industrial facilities.

Learn more about Emerson Network Power products and services at www.EmersonNetworkPower.eu

Knürr Technical Furniture as business unit manufactures and develops workstations for electronics labs and mobile equipment carriers for healthcare and automotive industries. Furthermore Knürr is the specialist for height adjustable control room workstations.

Learn more about Knürr Technical Furniture products and services at www.technical-furniture.com

Emerson Network Power
Global Headquarters
1050 Dearborn Drive
P.O. Box 29186
Columbus, OH 43229, USA
T +1 614 8880246

Knürr Technical Furniture GmbH
Mariakirchener Straße 38
94424 Arnstorf
Germany
T +49 8723 28 0
F +49 8723 28 138
furniture@knuerr.com
www.technical-furniture.com

While every precaution has been taken to ensure accuracy and completeness herein, Emerson assumes no responsibility, and disclaims all liability, for damages resulting from use of this information or for any errors or omissions. Specifications subject to change without notice.

Knürr and Knürr logo, Emerson, Consider it Solved, Emerson Network Power and the Emerson Network Power logo are trademarks and service marks of Emerson Electric Co. or one of its affiliated companies. ©2014 Emerson Electric Co. All rights reserved.