

*Elicon – EGB-Erdungsset*  
*Elicon – ESD supply pack*  
*Elicon – Kit fourni avec l'ESD*

Assembly Instructions

1

**Allgemeine Hinweise**

Weitere Dokumentation beachten



Achtung!  
**Montageanleitung „Elicon –  
 Leitstandtisch“ unbedingt beachten.**

**Gültigkeit**

Diese Anleitung gilt für folgende Elicon-Komponenten der Knürr AG:  
 – ESD-Erdungsset

**Notwendiges Werkzeug**

– Kreuzschlitzschraubendreher

**Elicon und EGB**

Alle Elicon-Komponenten aus Metall sind durch die leitfähige Pulverbeschichtung ohne weitere Maßnahmen EGB-fähig.

**Elicon-EGB-Platten:**

EGB-Arbeitsplatte und EGB-Aufbauebene sind volumenleitfähig und mit ableitfähiger Beschichtung. Vormontierte Messingbuchsen garantieren die Leitfähigkeit der Verschiebemechanik.

- Messingbuchsen nur mit leitfähigen Gleitmitteln behandeln.
- Beiliegende Kunststoffbuchsen ignorieren.

**General information**

Refer to the other documentation

Warning  
**See assembly instructions “Elicon –  
 Control console workstation”.**

**Validity**

This document applies to the following Elicon components from Knürr AG:  
 – ESD supply pack

**Tools required**

– Philips screwdriver

**Elicon and ESD**

Owing to their conductive powder coating, all Elicon components made of metal are ESD-compatible without further preparation being necessary.

**Elicon ESD worktops:**

ESD worktops and ESD superstructure worktop are volume conductive and have a conductive coating. Fitted brass bushes ensure the conductivity of the slide mechanism.

- Only treat brass bushes with conductive lubricants.
- Ignore the enclosed plastic bushes.

**Consignes générales**

Respecter les indications ci-dessous

Attention !  
**Respecter impérativement les  
 instructions de montage “ Elicon –  
 Table de poste central ”.**

**Validité**

Le présent manuel concerne les éléments Elicon de Knürr AG suivants :  
 – Kit fourni avec l'ESD

**Outils nécessaires**

– Tournevis cruciforme

**Elicon et ESD**

Tous les éléments métalliques Elicon sont compatibles ESD sans problème grâce au revêtement par poudre conducteur.

**Plateaux Elicon ESD :**

Le plan de travail ESD et le plateau annexe ESD ont une conductance volumique et un revêtement conducteur. Des coussinets en laiton pré-installés assurent la conductibilité du mécanisme de déplacement.

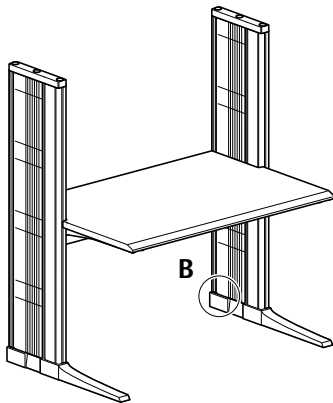
- Traiter les coussinets en laiton avec des lubrifiants conducteurs.
- Ignorer les coussinets en plastique fournis.

## 2 Montage

Lieferumfang

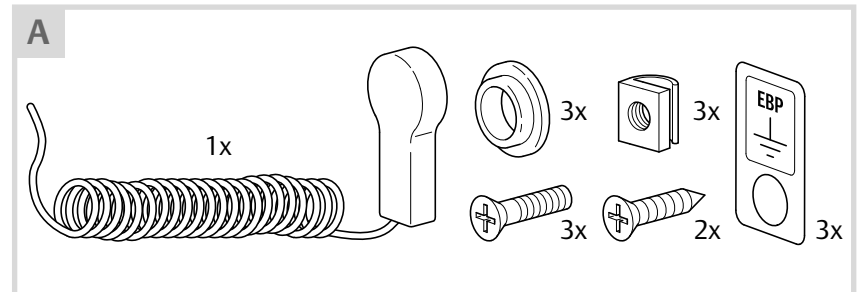
### Potenzialausgleich anschließen

- Jeden Arbeitsplatz mit beiliegendem Kabel (1 M $\Omega$  Schutzwiderstand integriert) über ein beliebiges Vertikalprofil an EGB-Potenzialausgleich anschließen.
- EBP-Symbol aufkleben.  
EBP: Earth boundig point



## Installation

Scope of delivery



### Connect equipotential bonding

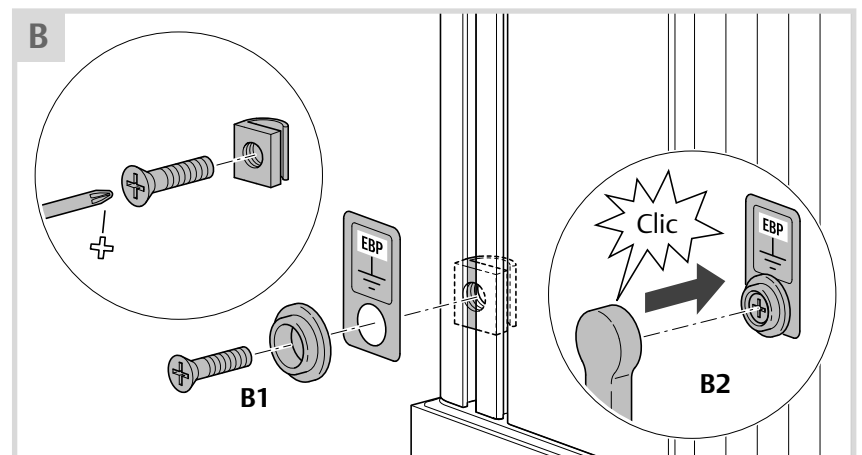
- Separate ESD equipotential bonding for each workstation with supplied cable (1 M $\Omega$  integrated protective resistor) via any suitable vertical extrusion.
- Attach EBP adhesive label.  
EBP: Earth boundig point

## Montage

Contenu

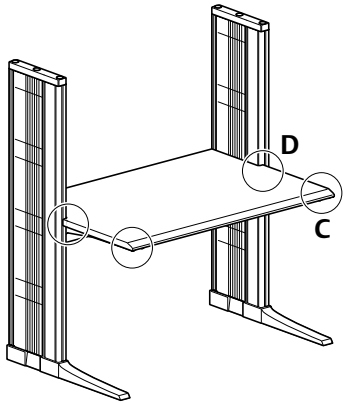
### Compensation de potentiel

- Compensation de potentiel ESD séparée pour chaque poste de travail avec le câble fourni (résistance protectrice intégrée de 1 M $\Omega$ ) par n'importe lequel des profilés verticaux.
- Appliquer l'autocollant EBP.  
EBP: Earth boundig point



## EGB-Erdungspunkte montieren

- EBP-Symbol an beliebiger Stelle an der Tischplatte C oder am Vertikalprofil D aufkleben.  
EBP: Earth boundig point

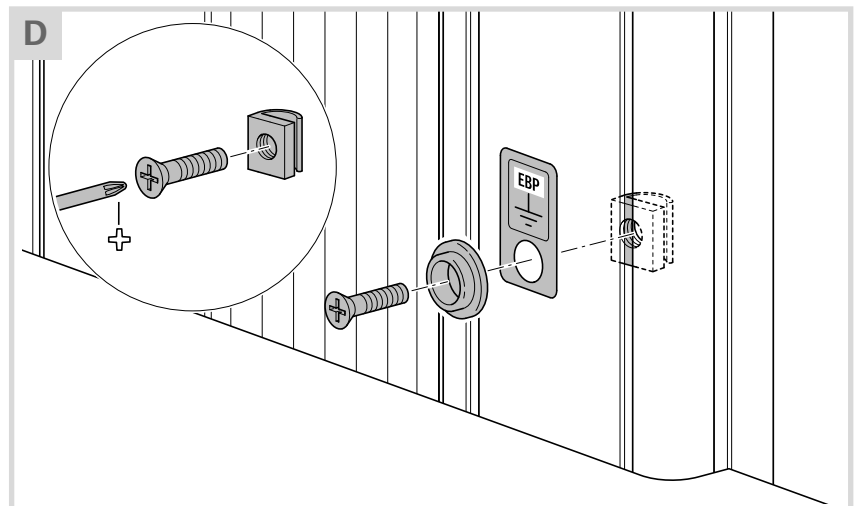
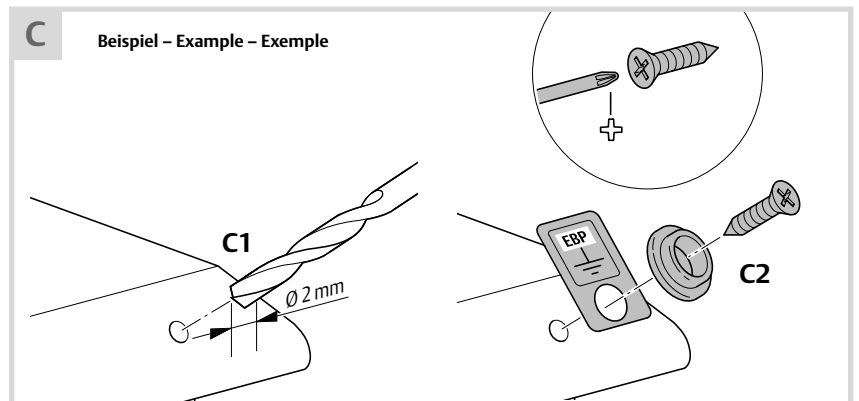


## Fit earthing points ESD

- Attach EBP adhesive label at any desired place on the worktop C or at the vertical section D.  
EBP: Earth boundig point

## Montage des éléments de mise à la terre ESD

- Appliquer l'autocollant EBP à l'endroit choisi du plateau C ou dans les profilés verticaux D.  
EBP: Earth boundig point



- Weitere Erdungspunkte (z. B. für Anschluss des Erdungsarmbandes) einschrauben.

- Screw in further earthing points (e.g. for earthing of the armband connection).

- Fixer par vissage les éléments de mise à la terre (par ex. raccordement du bracelet de mise à la terre).

Emerson Network Power is the global technology leader in numerous areas, and a recognized expert in helping to secure business-critical processes, and therefore contributes to "business-critical continuity." A whole range of the most varied applications, including the tried and tested Knürr rack system solutions and the accompanying thermal management, ensures the required network stability with maximum technological adaptability at the same time.

Knürr system solutions in the world of information and network technology are part of an adaptive architecture from Emerson Network Power, which flexibly adapts to changes concerning security, high-density and all associated capacities. Companies are provided sustainable and long-term benefits from the high IT availability, operative flexibility and impressive reduction in investment and operating costs.

The Knürr Technical Furniture business unit develops, produces and distributes technical workstation systems for control consoles, operation control centers and electronics labs, as well as mobile equipment carriers for the automotive and medical technology industries.

Knürr AG is recognized around the world as one of the leading developers, manufacturers and distributors of rack and enclosure platforms in the indoor and outdoor area, including all relevant active/passive components in 19" construction and the technologies associated with it. Knürr is part of Emerson Network Power.

Knürr is certified in accordance with EN ISO 9001 and EN ISO 14001, and its quality management continuously guarantees the highest standards in all areas of the company.

#### Emerson Network Power

The global leader in enabling business-critical continuity

- AC Power Systems
- Embedded Power
- Power Switching & Controls
- Site Monitoring
- Connectivity
- Integrated Cabinet Solutions
- Precision Cooling
- Surge & Signal Protection
- DC Power Systems
- Outside Plant
- Services
- Rack & Enclosure Systems

Knürr logo, Emerson Network Power and the Emerson Network Power logo are trademarks and service marks of Emerson Electric Co. ©2008 Emerson Electric Co.

#### Knürr AG Global Headquarters

Mariakirchener Straße 38  
94424 Arnstorf • Germany  
Tel. +49 (0) 87 23/27-0  
Fax +49 (0) 87 23/27-154  
info@knuerr.com  
www.knuerr.com

#### Knürr Technical Furniture GmbH Business Unit

Hauptstraße 35  
94439 Münchsdorf • Germany  
Tel. +49 (0) 87 23/28-0  
Fax +49 (0) 87 23/28-138  
www.technical-furniture.com

While every precaution has been taken to ensure accuracy and completeness in this literature, Knürr AG assumes no responsibility, and disclaims all liability for damage resulting from use of this information or for any errors or omissions.

©2008 Knürr AG. All rights reserved throughout the world. Specifications subject to change without notice.

All names referred to are trademarks or registered trademarks of their respective owners.

©Knürr and the Knürr logo are registered trademarks of Knürr AG.

#### EmersonNetworkPower.com