

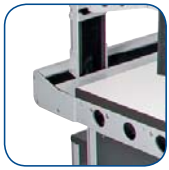
# Knürr SynergyConsole® Basic

*The New Height Fixed KVM-ready Console in Your Control Room*



# Knürr Synergy Basic

The New Height Fixed KVM-ready Console in Your Control Room



**Monitor Level**  
04.415.415.9



**Flat screen support adapter, 1-row** 04.415.004.9  
**Telescopic TFT arm**  
04.412.002.9



**Trapezoid Corner (diagonal back)**  
04.417.160.1



**Link-up/End Desk W1200**  
Height-fixed  
04.416.133.1



**Technical Pedestal - SLIM**  
04.417.615.9

**24/7 Control Room Chair Mr. 24**  
00.350.073.9



**Perforated Rear Panel for SynergyConsole®**  
04.415.813.9



**Starter Desk W1600**  
Height-fixed  
04.416.125.1



**Perforated rear panel for SynergyConsole®**  
Corner Piece  
04.415.960.9



## Knürr SynergyConsole® Basic Height fixed Workstation

- Standards Compliance and Ergonomics
- Synergy Basic solution
- Stable construction
- Ergonomic and robust Ergo Soft Edge
- Scalable/ Modular Design
- Best solution for KVM applications
- Spacious Side Elements for Cabling
- ErgoCon-/Synergy-/Pole Monitorholders
- Offset Monitor Level available

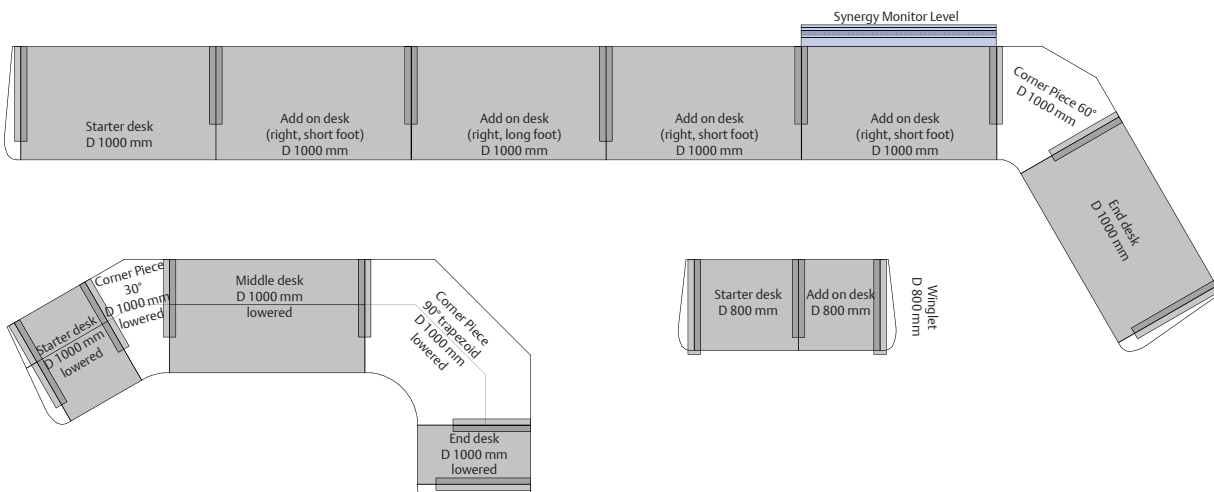
■ Comfortable Cable Entry through Side Element

■ Optional integrated 2U 19" KVM Bays

■ Choose from 3 types of Monitorholders

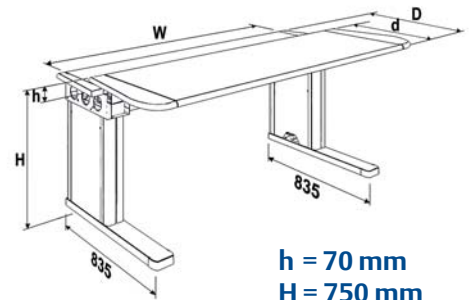


## Knürr SynergyConsole® Basic



# Knürr SynergyConsole® Basic

## Single Desk



**h = 70 mm**  
**H = 750 mm**

### Surface Colors:



**.1 Light Gray**



**Maple**



**.5 Beech**



**Nano:  
Bianco malé**



**.9 Basalt Gray**



**Nano:  
Grigio Londra**

**Please note:** New scratch resistant Nano worktop surfaces with ultra-low reflectivity and extra smooth touch!

Dimensions in mm: W = Width  
C = Usable width  
H = Height  
D = Depth  
h = Installation height  
d = Usable depth  
L = Length

HU = Standard height unit, 1 HU = 44.45 mm  
19" = 482.6 mm, (ideal for 19" components in acc. with DIN 41494)  
UP = Unit of packaging  
kg = Weight

Conversion: 1 inch = 25,4 mm

Replace „x“ with the number of your color choice

#### Knürr SynergyConsole® Basic Single Desk Height-fixed with straight work top

D	W	Order no.	UP
800	633	04.416.010.x	1 unit
800	833	04.416.011.x	1 unit
800	1033	04.416.012.x	1 unit
800	1233	04.416.013.x	1 unit
800	1433	04.416.014.x	1 unit
800	1633	04.416.015.x	1 unit
800	1833	04.416.016.x	1 unit
800	2033	04.416.017.x	1 unit
1000	633	04.416.110.x	1 unit
1000	833	04.416.111.x	1 unit
1000	1033	04.416.112.x	1 unit
1000	1233	04.416.113.x	1 unit
1000	1433	04.416.114.x	1 unit
1000	1633	04.416.115.x	1 unit
1000	1833	04.416.116.x	1 unit
1000	2033	04.416.117.x	1 unit

#### Knürr SynergyConsole® Basic Single Desk Height-fixed with lowered monitor surface

D	W	d	Order no.	UP
1000	633	600	04.416.310.x	1 unit
1000	833	600	04.416.311.x	1 unit
1000	1033	600	04.416.312.x	1 unit
1000	1233	600	04.416.313.x	1 unit
1000	1433	600	04.416.314.x	1 unit
1000	1633	600	04.416.315.x	1 unit
1000	1833	600	04.416.316.x	1 unit
1000	2033	600	04.416.317.x	1 unit

#### Knürr SynergyConsole® Basic Worktop Winglets

D	Order no. (right)	(left)	UP
800	04.415.077.x	076.x	1 unit
1000	04.415.071.x	070.x	1 unit
400 (lowered rear)	04.415.075.x	074.x	1 unit
600 (lowered front)	04.415.073.x	072.x	1 unit

## Knürr SynergyConsole® Basic Starter Desk Height-fixed



Straight Work Top				Lowered Monitor Surface	
D	W	Order no.	UP	d	Order no.
800	633	04.416.020.x	1 unit		
800	833	04.416.021.x	1 unit		
800	1033	04.416.022.x	1 unit		
800	1233	04.416.023.x	1 unit		
800	1433	04.416.024.x	1 unit		
800	1633	04.416.025.x	1 unit		
800	1833	04.416.026.x	1 unit		
800	2033	04.416.027.x	1 unit		
1000	633	04.416.120.x	1 unit	600	04.416.320.x
1000	833	04.416.121.x	1 unit	600	04.416.321.x
1000	1033	04.416.122.x	1 unit	600	04.416.322.x
1000	1233	04.416.123.x	1 unit	600	04.416.323.x
1000	1433	04.416.124.x	1 unit	600	04.416.324.x
1000	1633	04.416.125.x	1 unit	600	04.416.325.x
1000	1833	04.416.126.x	1 unit	600	04.416.326.x
1000	2033	04.416.127.x	1 unit	600	04.416.327.x

## Knürr SynergyConsole® Basic End Desk Height-fixed



Straight Work Top				Lowered Monitor Surface	
D	W	Order no.	UP	d	Order no.
800	633	04.416.030.x	1 unit		
800	833	04.416.031.x	1 unit		
800	1033	04.416.032.x	1 unit		
800	1233	04.416.033.x	1 unit		
800	1433	04.416.034.x	1 unit		
800	1633	04.416.035.x	1 unit		
800	1833	04.416.036.x	1 unit		
800	2033	04.416.037.x	1 unit		
1000	633	04.416.130.x	1 unit	600	04.416.330.x
1000	833	04.416.131.x	1 unit	600	04.416.331.x
1000	1033	04.416.132.x	1 unit	600	04.416.332.x
1000	1233	04.416.133.x	1 unit	600	04.416.333.x
1000	1433	04.416.134.x	1 unit	600	04.416.334.x
1000	1633	04.416.135.x	1 unit	600	04.416.335.x
1000	1833	04.416.136.x	1 unit	600	04.416.336.x
1000	2033	04.416.137.x	1 unit	600	04.416.337.x

## Knürr SynergyConsole® Basic Accessories

### ■ Perforated Rear Panel



W	W (Add on Desk)	Order no.	UP
633	523	04.415.810.9	1 unit
833	723	04.415.811.9	1 unit
1033	923	04.415.812.9	1 unit
1233	1123	04.415.813.9	1 unit
1433	1323	04.415.814.9	1 unit
1633	1523	04.415.815.9	1 unit
1833	1723	04.415.816.9	1 unit
2033	1923	04.415.817.9	1 unit

### ■ Perforated rear panel for Corner Piece



	Order no.	UP
for Corner Piece 15°	04.415.910.9	1 unit
for Corner Piece 30°	04.415.920.9	1 unit
for Corner Piece 45°	04.415.930.9	1 unit
for Corner Piece 60°	04.415.940.9	1 unit
for Corner Piece 90° (diagonal back)	04.415.950.9	1 unit
Trapezoid Corner (diagonal back)	04.415.960.9	1 unit

### ■ Monitor Level



	W	Order no.	UP
	523	04.415.450.9	1 unit
	723	04.415.451.9	1 unit
	923	04.415.452.9	1 unit
	1123	04.415.453.9	1 unit
	1323	04.415.454.9	1 unit
	1523	04.415.455.9	1 unit
	1723	04.415.456.9	1 unit
	1923	04.415.457.9	1 unit

## Basic Link-up Desk, Middle Height-fixed



Straight Work Top				Lowered Monitor Surface	
D	W	Order no.	UP	d	Order no.
800	633	04.416.040.x	1 unit		
800	833	04.416.041.x	1 unit		
800	1033	04.416.042.x	1 unit		
800	1233	04.416.043.x	1 unit		
800	1433	04.416.044.x	1 unit		
800	1633	04.416.045.x	1 unit		
800	1833	04.416.046.x	1 unit		
800	2033	04.416.047.x	1 unit		following each 1 unit
1000	633	04.416.140.x	1 unit	600	04.416.340.x
1000	833	04.416.141.x	1 unit	600	04.416.341.x
1000	1033	04.416.142.x	1 unit	600	04.416.342.x
1000	1233	04.416.143.x	1 unit	600	04.416.343.x
1000	1433	04.416.144.x	1 unit	600	04.416.344.x
1000	1633	04.416.145.x	1 unit	600	04.416.345.x
1000	1833	04.416.146.x	1 unit	600	04.416.346.x
1000	2033	04.416.147.x	1 unit	600	04.416.347.x

## Add-On Desk, Long Stabilizer Height-fixed, left or right mounting



Straight Work Top					Lowered Monitor Surface		
D	W	Order no. (right)	(left)	UP	d	Order no. (right) (left)	
800	523	04.416.050.x	070.x	1 unit			
800	723	04.416.051.x	071.x	1 unit			
800	923	04.416.052.x	072.x	1 unit			
800	1123	04.416.053.x	073.x	1 unit			
800	1323	04.416.054.x	074.x	1 unit			
800	1523	04.416.055.x	075.x	1 unit			
800	1723	04.416.056.x	076.x	1 unit			
800	1923	04.416.057.x	077.x	1 unit			following each 1 unit
1000	523	04.416.150.x	170.x	1 unit	600	04.416.350.x	.370.x
1000	723	04.416.151.x	171.x	1 unit	600	04.416.351.x	.371.x
1000	923	04.416.152.x	172.x	1 unit	600	04.416.352.x	.372.x
1000	1123	04.416.153.x	173.x	1 unit	600	04.416.353.x	.373.x
1000	1323	04.416.154.x	174.x	1 unit	600	04.416.354.x	.374.x
1000	1523	04.416.155.x	175.x	1 unit	600	04.416.355.x	.375.x
1000	1723	04.416.156.x	176.x	1 unit	600	04.416.356.x	.376.x
1000	1923	04.416.157.x	177.x	1 unit	600	04.416.357.x	.377.x

## Knürr SynergyConsole® Basic Accessories

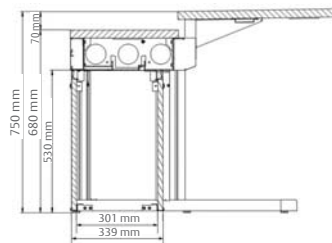
### ■ Flat Screen Holder for Knürr SynergyConsole® Basic



L	H	Order no.	UP
40	Short TFT arm	04.412.001.9	1 unit
270-380	Telescopic TFT arm	04.412.002.9	1 unit
	415 Flat screen support adapter, 1-row	04.415.004.9	1 unit
	775 Flat screen support adapter, 2-row	04.415.006.9	1 unit

**Please note:** Synergy Console® Basic can also be equipped with monitor poles or ErgoCon style monitor levels. Please ask for details.

### ■ Knürr SynergyConsole® Basic Technical Pedestal – SLIM



W	w	d	Order no.	h	Order no. (lowered worktop)	h	UP
600	410	301	04.417.610.9	600	04.417.600.9	530	1 unit
800	610	301	04.417.611.9	600	04.417.601.9	530	1 unit
1000	810	301	04.417.612.9	600	04.417.602.9	530	1 unit
1200	1010	301	04.417.613.9	600	04.417.603.9	530	1 unit
1400	1210	301	04.417.614.9	600	04.417.604.9	530	1 unit
1600	1410	301	04.417.615.9	600	04.417.605.9	530	1 unit
1800	1610	301	04.417.616.9	600	04.417.606.9	530	1 unit
2000	1810	301	04.417.617.9	600	04.417.607.9	530	1 unit

## Add-On Desk, Short Stabilizer Height-fixed, left or right mounting



### Straight Work Top

D	W	Order no. (right)	(left)	UP
800	523	04.416.060.x	080.x	1 unit
800	723	04.416.061.x	081.x	1 unit
800	923	04.416.062.x	082.x	1 unit
800	1123	04.416.063.x	083.x	1 unit
800	1323	04.416.064.x	084.x	1 unit
800	1523	04.416.065.x	085.x	1 unit
800	1723	04.416.066.x	086.x	1 unit
800	1923	04.416.067.x	087.x	1 unit
1000	523	04.416.160.x	180.x	1 unit
1000	723	04.416.161.x	181.x	1 unit
1000	923	04.416.162.x	182.x	1 unit
1000	1123	04.416.163.x	183.x	1 unit
1000	1323	04.416.164.x	184.x	1 unit
1000	1523	04.416.165.x	185.x	1 unit
1000	1723	04.416.166.x	186.x	1 unit
1000	1923	04.416.167.x	187.x	1 unit

### Lowered Monitor Surface

d	Order no. (right)	(left)
600	04.416.360.x	.380.x
600	04.416.361.x	.381.x
600	04.416.362.x	.382.x
600	04.416.363.x	.383.x
600	04.416.364.x	.384.x
600	04.416.365.x	.385.x
600	04.416.366.x	.386.x
600	04.416.367.x	.387.x

## Cabling system for technical pedestal – SLIM

W	Order no.	UP
600	04.412.800.7	1 unit
800	04.412.801.7	1 unit
1000	04.412.802.7	1 unit
1200	04.412.803.7	1 unit
1400	04.412.804.7	1 unit
1600	04.412.805.7	1 unit
1800	04.412.806.7	1 unit



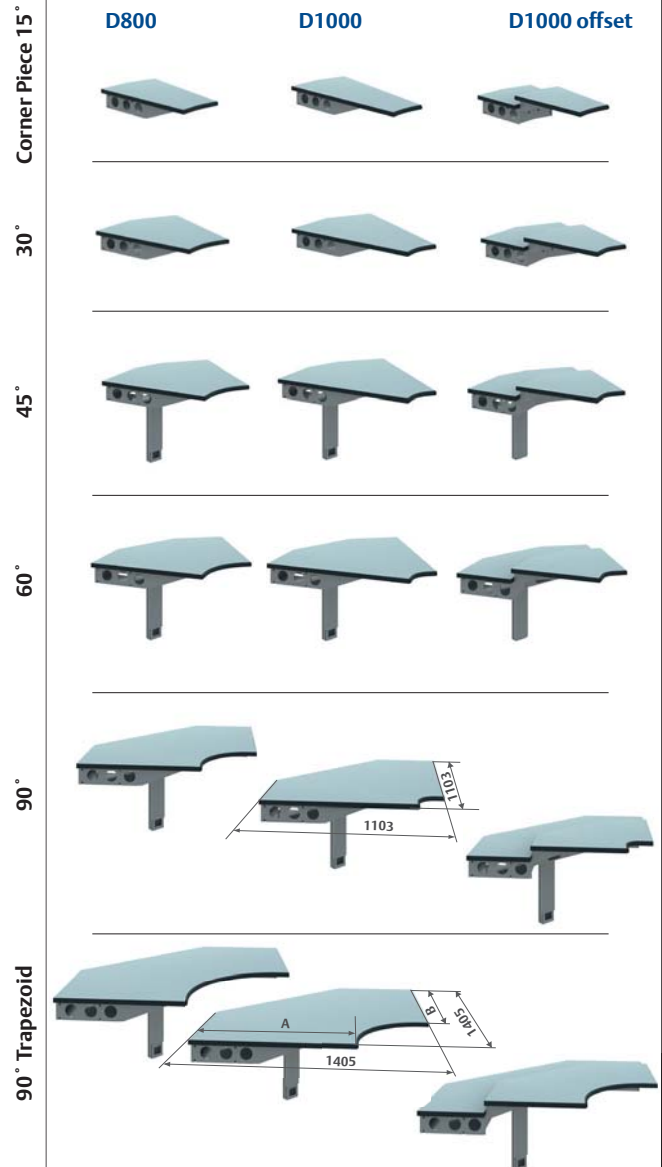
Set with two separated cable ducts

## 2U 19" KVM Bay

W	H	HU	Order no.	UP
520	109	2	04.412.657.7	1 unit



## Knürr SynergyConsole® Basic Corner Piece



	A	B	Order no.	UP
<b>Straight Work Top</b>				
Corner Piece 15°	800	800	04.417.010.x	1 unit
Corner Piece 30°	800	800	04.417.020.x	1 unit
Corner Piece 45°	800	800	04.417.030.x	1 unit
Corner Piece 60°	800	800	04.417.040.x	1 unit
Corner Piece 90° (diagonal back)	800	800	04.417.050.x	1 unit
Trapezoid Corner (diagonal back)	800	800	04.417.060.x	1 unit
Corner Piece 15°	1000	1000	04.417.110.x	1 unit
Corner Piece 30°	1000	1000	04.417.120.x	1 unit
Corner Piece 45°	1000	1000	04.417.130.x	1 unit
Corner Piece 60°	1000	1000	04.417.140.x	1 unit
Corner Piece 90° (diagonal back)	1000	1000	04.417.150.x	1 unit
Trapezoid Corner (diagonal back)	1000	1000	04.417.160.x	1 unit
<b>Lowered Monitor Surface</b>				
Corner Piece 15°	1000	1000	04.417.111.x	1 unit
Corner Piece 30°	1000	1000	04.417.121.x	1 unit
Corner Piece 45°	1000	1000	04.417.131.x	1 unit
Corner Piece 60°	1000	1000	04.417.141.x	1 unit
Corner Piece 90° (diagonal back)	1000	1000	04.417.151.x	1 unit
Trapezoid Corner (diagonal back)	1000	1000	04.417.161.x	1 unit

## Ergonomically designed products and solutions from a single source

**Emerson Network Power**, a business of **Emerson** (NYSE:EMR), delivers software, hardware and services that maximize availability, capacity and efficiency for data centers, healthcare and industrial facilities.

Learn more about Emerson Network Power products and services at [www.EmersonNetworkPower.eu](http://www.EmersonNetworkPower.eu)

**Knürr Technical Furniture** as business unit manufactures and develops workstations for electronics labs and mobile equipment carriers for healthcare and automotive industries. Furthermore Knürr is the specialist for height adjustable control room workstations.

Learn more about Knürr Technical Furniture products and services at [www.technical-furniture.com](http://www.technical-furniture.com)

**Emerson Network Power**  
Global Headquarters  
1050 Dearborn Drive  
P.O. Box 29186  
Columbus, OH 43229, USA  
T +1 614 8880246

**Knürr Technical Furniture GmbH**  
Mariakirchener Straße 38  
94424 Arnstorf  
Germany  
T +49 8723 28 0  
F +49 8723 28 138  
furniture@knuerr.com  
[www.technical-furniture.com](http://www.technical-furniture.com)

While every precaution has been taken to ensure accuracy and completeness herein, Emerson assumes no responsibility, and disclaims all liability, for damages resulting from use of this information or for any errors or omissions. Specifications subject to change without notice.

Knürr and Knürr logo, Emerson, Consider it Solved, Emerson Network Power and the Emerson Network Power logo are trademarks and service marks of Emerson Electric Co. or one of its affiliated companies. ©2014 Emerson Electric Co. All rights reserved.