

Elicon – Tastaturablage und Tastaturauszug

Elicon – Keyboard shelf and keyboard pull-out

Elicon – Support clavier et tiroir clavier

Assembly Instructions

1 Allgemeine Hinweise

Weitere Dokumentation beachten



Achtung!
Montageanleitung „Elicon – Leitstandisch“ unbedingt beachten.

Gültigkeit
Diese Anleitung gilt für folgende Elicon-Komponenten der Knürr AG:
– Einzel-Tastaturablage
– Tastaturauszug

Notwendiges Werkzeug
– Innensechskantschlüssel 5 mm

General information

Refer to the other documentation

Warning
See assembly instructions “Elicon – Control console workstation”.

Validity
This document applies to the following Elicon components from Knürr AG:
– Individual keyboard shelf
– Keyboard pull-out

Tools required
– 5 mm Allen key

Consignes générales

Respecter les indications ci-dessous

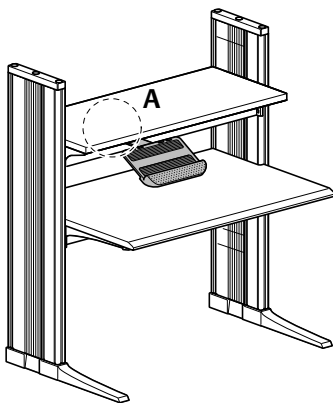
Attention !
Respecter impérativement les instructions de montage “ Elicon – Table de poste central ”.

Validité
Le présent manuel concerne les éléments Elicon de Knürr AG suivants :
– Support clavier individuel
– Tiroir clavier

Outils nécessaires
– Clé Allen 5 mm

2 Einzel-Tastaturablage

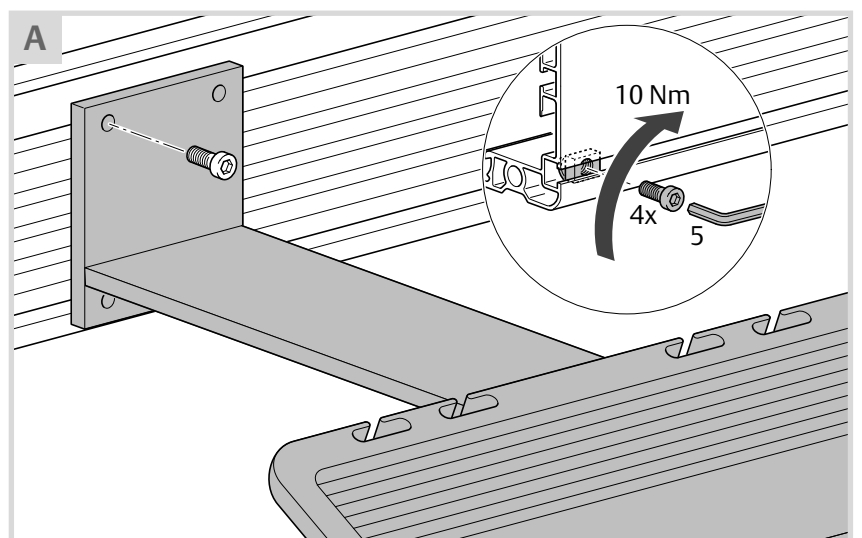
Montage



- Kabel mit ausreichend Abstand zu beweglichen Teilen fixieren und sicher nach hinten führen.

Individual keyboard shelf

Installation



- Secure cable at sufficient distance from moving parts and route it safely to the back.

Support clavier individuel

Montage

- Fixer le câble avec un écart suffisant par rapport aux pièces mobiles et l'acheminer vers l'arrière.



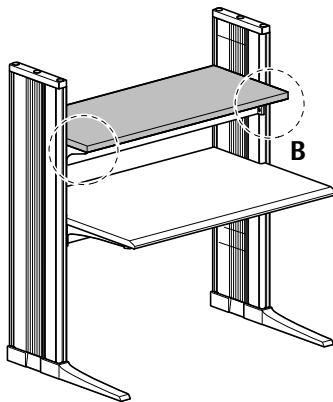
Gefahr!
Maximale Beladung der Tastaturablage beachten: 10 kg

Danger!
Do not exceed the maximum load of the keyboard shelf : 10 kg

Danger !
Respecter la charge maximale du support clavier : 10 kg

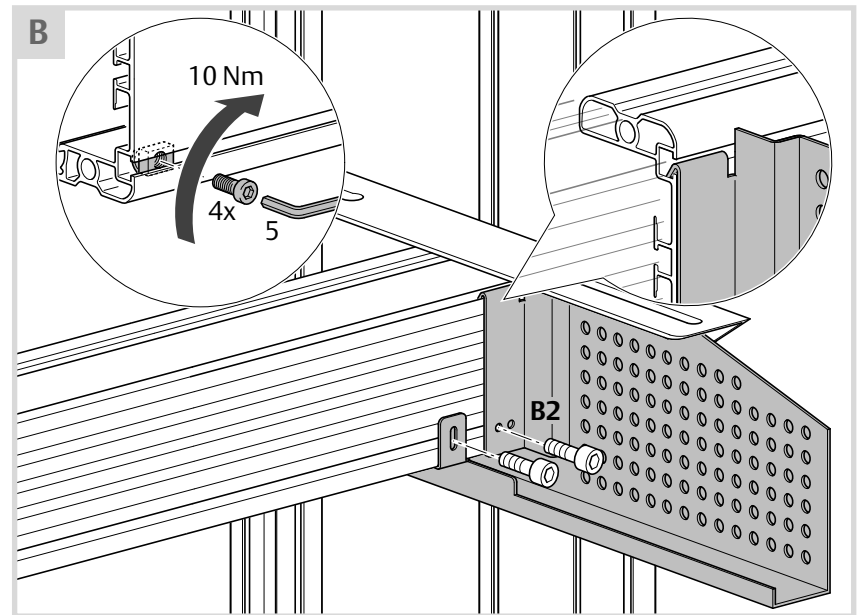
3 Tastaturauszug

Montage



Keyboard pull-out

Installation



Tiroir clavier

Montage

- Kabel mit ausreichend Abstand zu beweglichen Teilen fixieren und sicher nach hinten führen.

- Secure cable at sufficient distance from moving parts and route it safely to the back.

- Fixer le câble avec un écart suffisant par rapport aux pièces mobiles et l'acheminer vers l'arrière.



Gefahr!
Maximale Beladung des Tastaturauszugs beachten: 25 kg

Danger!
Do not exceed the maximum load of the keyboard pull-out : 25 kg

Danger !
Respecter la charge maximale du tiroir clavier : 25 kg

While every precaution has been taken to ensure accuracy and completeness in this literature, Knürr AG assumes no responsibility, and disclaims all liability for damage resulting from use of this information or for any errors or omissions.

©2008 Knürr AG. All rights reserved throughout the world. Specifications subject to change without notice.

All names referred to are trademarks or registered trademarks of their respective owners.

©Knürr and the Knürr logo are registered trademarks of Knürr AG.

Knürr
Technical Furniture GmbH
Business Unit

Hauptstraße 35
 94439 Münchsdorf • Germany
 Tel. +49 (0) 87 23/28-0
 Fax +49 (0) 87 23/28-138
 www.technical-furniture.com

Knürr AG
Global Headquarters

Mariakirchener Straße 38
 94424 Arnstorf • Germany
 Tel. +49 (0) 87 23/27-0
 Fax +49 (0) 87 23/27-154
 info@knuerr.com
 www.knuerr.com

Emerson Network Power

The global leader in enabling business-critical continuity

EmersonNetworkPower.com

Knürr logo, Emerson Network Power and the Emerson Network Power logo are trademarks and service marks of Emerson Electric Co. ©2008 Emerson Electric Co.