

Dacobas – 19"-Unterbau Smaract

Dacobas – Smaract 19" pedestal cabinet

Dacobas – Caisson inférieur 19" Smaract

Assembly Instructions

1 Allgemeine Hinweise

Weitere Dokumentation beachten



Achtung!
Montageanleitungen „Smaract – 19"-Kleinschrank“ und „Dacobas – Arbeitsplatz“ (oder „Dacobas – Leitwartentisch“) unbedingt beachten.

Gültigkeit

Diese Anleitung gilt für folgende Dacobas-Komponenten der Knürr AG:
– 19"-Unterbau

Notwendiges Werkzeug

- Innensechskantschlüssel 5 mm
- Gabelschlüssel 10 mm

General information

Refer to the other documentation

Warning
See assembly instructions “Smaract – 19” cabinet” and “Dacobas – Workstation” (or “Dacobas – Control room desk”).

Validity

This document applies to the following Dacobas components from Knürr AG:
– 19" pedestal cabinet

Tools required

- 5 mm Allen key
- 10 mm open-ended spanner

Consignes générales

Respecter les indications ci-dessous

Attention !
Respecter impérativement les instructions de montage “Smaract – Armoire 19” ” et “Dacobas – Poste de travail ” (ou “Dacobas – Bureau pour poste de contrôle ”).

Validité

Le présent manuel concerne les éléments Dacobas de Knürr AG suivants :
– Caisson inférieur 19"

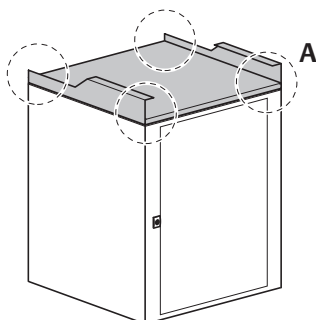
Outils nécessaires

- clé Allen 5 mm
- clé à fourche 10 mm

2 Montage

- Tischplatte abnehmen.
- Deckel von 19"-Unterbau entfernen (Montageanleitung 19"-Kleinschrank, 4.2).
- Deckel als Boden einbauen (Montageanleitung 19"-Kleinschrank, 5.1).

Adapter auf 19"-Unterbau schrauben



Installation

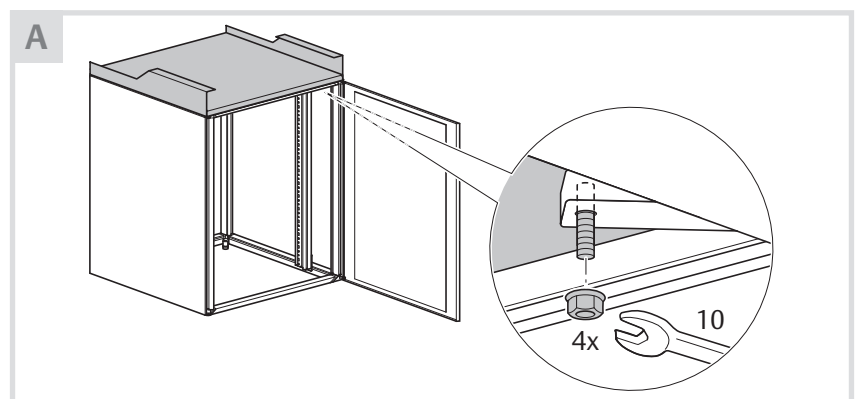
- Remove the desk top.
- Remove the cover from the 19" pedestal (see assembly instructions for 19" cabinet, 4.2).
- Fit the cover to act as the base (see assembly instructions for 19" cabinet, 5.1).

Secure the adapter to 19" pedestal with screws

Montage

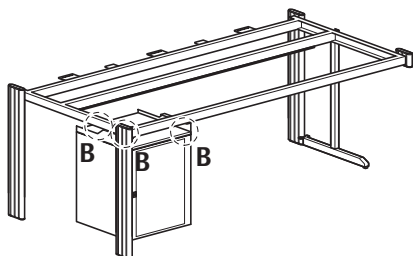
- Retirer le plateau de table.
- Enlever le caisson inférieur 19" (Notice de montage de l'armoire 19", 4.2).
- Installer le dessus en guise de bas (Notice de montage de l'armoire 19", 5.1).

Fixation de l'adaptateur sur le caisson inférieur 19"



19"-Unterbau einbauen

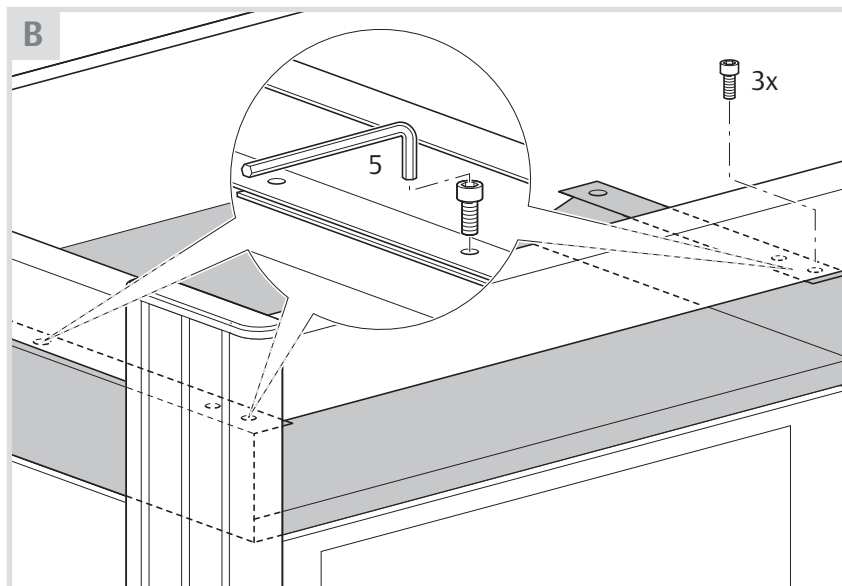
- Unterbau wahlweise links oder rechts montieren.



- Ausrichten (Montageanleitung 19"-Kleinschrank, 5.1).

Fit the 19" pedestal

- Fit the pedestal either on the left or the right.



- Align the pedestal (see assembly instructions for 19" cabinet, 5.1).

Montage du caisson inférieur 19"

- Installer le caisson inférieur indifféremment à gauche ou à droite.

- Ajuster le caisson inférieur (Notice de montage de l'armoire 19", 5.1).

3

Maximale Beladung



Gefahr!
Maximale Beladung des 19"-Unterbaus beachten: 75 kg

Maximum load

Danger!
Do not exceed the maximum load of the 19" pedestal : 75 kg

Charge maximale

Danger !
Respecter la charge maximale d'armoire 19" : 75 kg

While every precaution has been taken to ensure accuracy and completeness in this literature, Knürr AG assumes no responsibility, and disclaims all liability for damage resulting from use of this information or for any errors or omissions.

©2008 Knürr AG. All rights reserved throughout the world. Specifications subject to change without notice.

All names referred to are trademarks or registered trademarks of their respective owners.

©Knürr and the Knürr logo are registered trademarks of Knürr AG.

Knürr
Technical Furniture GmbH
Business Unit

Hauptstraße 35
94439 Münchsdorf • Germany
Tel. +49 (0) 87 23/28-0
Fax +49 (0) 87 23/28-138
www.technical-furniture.com

Knürr AG
Global Headquarters

Mariakirchener Straße 38
94424 Arnstorf • Germany
Tel. +49 (0) 87 23/27-0
Fax +49 (0) 87 23/27-154
info@knuerr.com
www.knuerr.com

Emerson Network Power

The global leader in enabling business-critical continuity

EmersonNetworkPower.com

Knürr logo, Emerson Network Power and the Emerson Network Power logo are trademarks and service marks of Emerson Electric Co. ©2008 Emerson Electric Co.