

January 2006



CABLE SUPPORT SYSTEMS

FIRE-RESISTANT SYSTEMS

CABLE TRAY TYPE:
KBSI with material thickness of 1.25 mm at a support interval of 1.5 m

CABLE TRAY TYPE:
KBS without threaded rod bracket, especially for wall applications

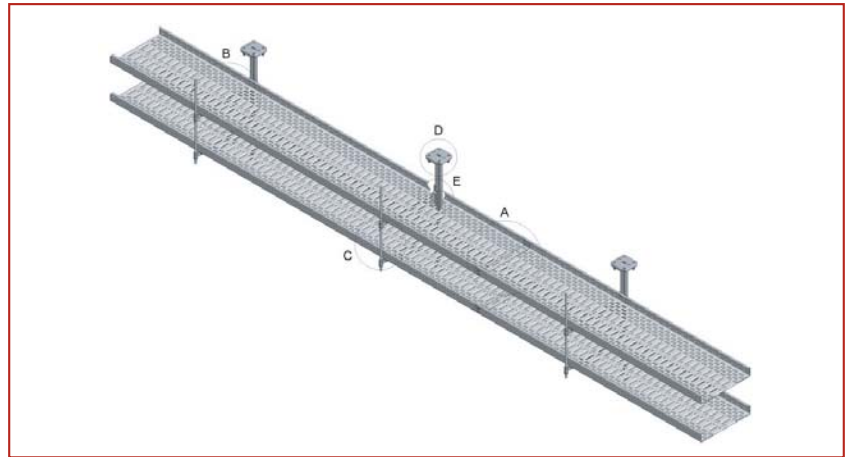


- *Meersbloem Melden 16*
- *9700 Oudenaarde BELGIUM*
- *www.vergokan.com*

KBSI with material thickness of 1,25 mm at a support distance of 1,5 m



- Material thickness KBSI: 1,25mm
- Load capacity: 20kg/m
- Support distance: 1,5m
- Max. layers between: 2
- Max. width of cable tray KBSI: 400mm
- Connected without additional jointing plate
- Tremendous time savings
- E30 - E90
- Tested with Dätwyler cables



KBSI: material thickness 1,25mm - support distance 1,5m



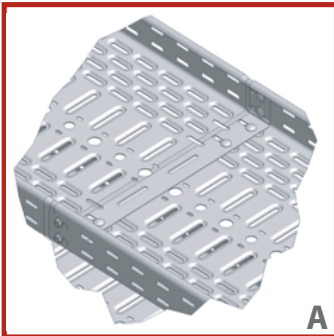
A first novelty is the use of our universally known KBSI with its material thickness of 1,25mm and a support distance of 1500mm, while the cable tray is able to support a load of up to 20kg/m.

So a system with integrated joints can be used, to save tremendous amounts of installation time, and supports only need to be installed every 1.5 metres.

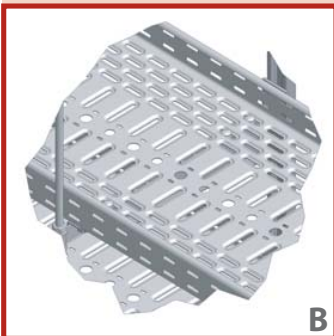
All cables (both high-voltage and low-voltage) passed the test with flying colours and can therefore be offered for maintaining functions E30 and E90.

Note: Only Datwyler cables may be used for this construction.

KBSI with material thickness of 1,25mm at a support distance of 1,5m



- Since the cable trays KBSI are connected without additional jointing plates, the installation time is kept to a strict minimum.
- Screws: 8x VMK 6*10



- The cable trays are connected securely to the fire-resistant brackets by means of 4 screw connections.
- Screws: VMK 6*10
- Brackets: WKBS



- The double-locked threaded rod fixing provides additional rigidity.
- Constructions up to 2 layers with a load capacity of 20 kg/m per layer are connected with a TIM 12 threaded rod.
If the construction only consists of 1 layer, a TIM 10 threaded rod can be used.
- 1 layer: Threaded rod TIM 10 + Nut M 10 + Washer RO 10
- 2 layers: Threaded rod TIM 12 + Nut M 12 + Washer RO 12



- The entire construction is suspended by means of the HSLECL ceiling profile, which is fitted every 1.5 metres.
- Washer: CRO 10
- Hexagonal-head bolt: B 10*40
- 1 layer: 2x B 8*40 + 2x CRO 8
- 2 layers: 2x B 10*40 + 2x CRO 10

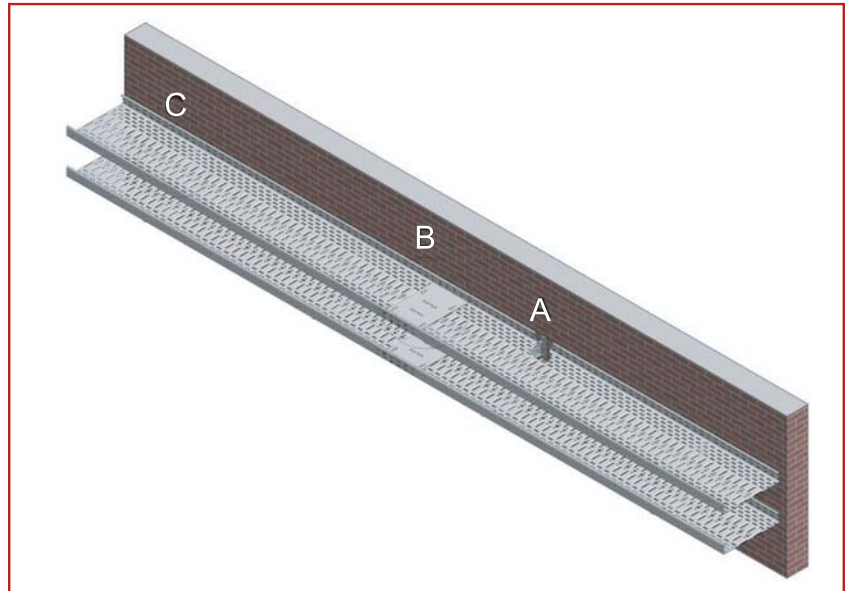


- Installation time is kept to a minimum since the brackets are connected to the ceiling profile with a single nut and bolt.
- Washer: CRO 10
- Hexagonal-head bolt: B 10*40

KBS without threaded rod bracket, especially for wall applications



- Material thickness KBS: 1,5mm
- Load capacity: 20kg/m
- Support distance: 1,2m
- Extra strong due to U-shaped jointing plate
- Very suitable for tunnel application
- Normal wall bracket: WK
- No threaded rod bracket necessary
- Tremendous savings on installation time
- E30 - E60
- Tested with Dätwyler cables



KBS: especially for wall applications



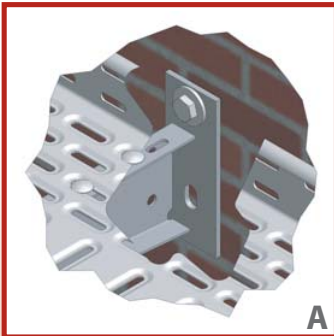
As a second construction, the KBS cable tray can also be offered with a material thickness of 1,5 mm, a support distance of 1200 mm, and a maximum load capacity up to 20kg/m.

Here too, one saves a lot of installation time because threaded rod brackets are redundant. This construction uses a normal wall bracket, type WK. This application is very suitable for tunnel constructions.

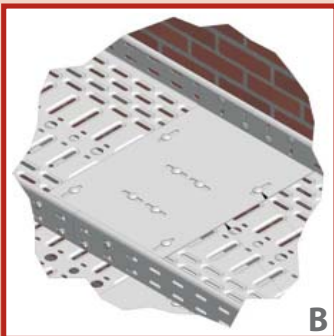
All cables (both high-voltage and low-voltage) passed the test with flying colours and can therefore be offered as maintaining functions E30 and E60.

Note: Only Datwyler cables may be used in this construction.

KBS without threaded rod bracket, especially for wall applications



- Since the bracket is fitted to the wall only with a single bolt, the installation time is kept to a minimum.
- Washer: CRO 10
- Hexagonal-head bolt: B 10*40
- Bracket: WK



- Extra rigidity due to use of a special jointing plate.
- Furthermore, only 16 screwed connections are necessary instead of 24.
- Screws: VMK 6*10
- Jointing plate: KPBS



- The cable tray is fitted securely to the fire-resistant bracket WKBS by means of 4 screwed connections.
- Screws: VMK 6*10



EXPORT

- Tel.: +32-55 33 73 48
- Fax: +32-55 33 73 44
- export@vergokan.com

BENELUX

- Tel.: +32-55 31 83 35
- Fax: +32-55 31 43 88
- sales@vergokan.com