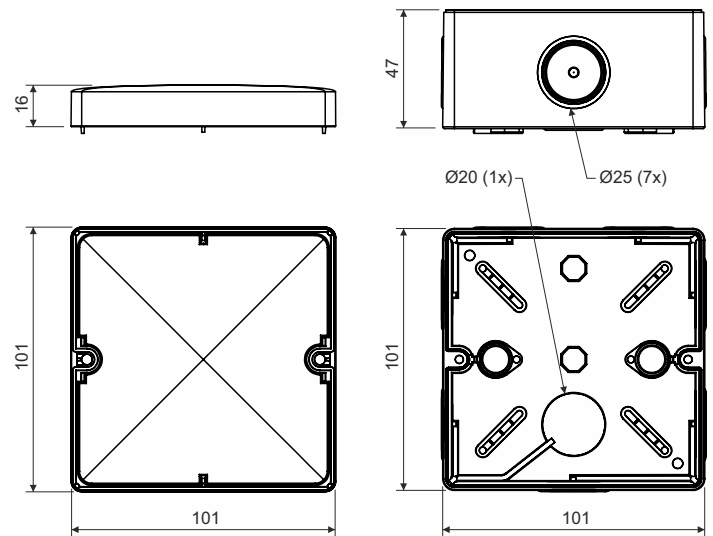


KSK 100



product description:

intended for installation in environments that require IP 66 protection
made from UV-resistant material
 integrated knockouts for mounting on base
 perfect sealing of cables and pipes
 integrated O-ring to install cable glands
 intended for direct installation on the surface without having to support with insulating pad
 stainless steel screws for lid installation
 the option to install special terminal block
 7x inlets with Ø25 mm and 1x Ø20 mm

material - box: PP (halogen-free, Pb-free material)

material - cover: PA (halogen-free, Pb-free material)

color: light gray RAL 7035

self-snuffing: yes, within 30 s

temperature resistance: -25 - +60 °C

flaming loop test: 850 °C

fire class for underlying material: A1-F

protection types: IP 66

weight: 147 g

certification: EN 60 670-1

storage: ČSN 64 0090

configuration: KA - plugs and lid screws inserted in the box, each box packed in shrink foil and labelled; 30 pcs boxes in cardboard

accessories: terminal plate S-66
 terminal plate S-KSK-1
 screwless terminal plates TYP015, TYP016, TYP017, TYP018