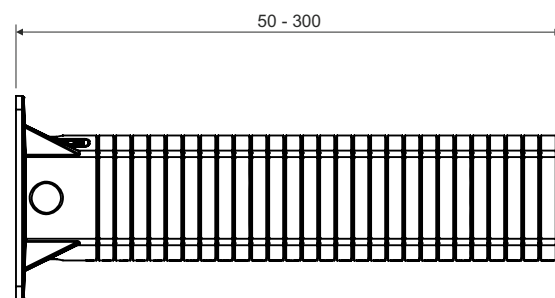
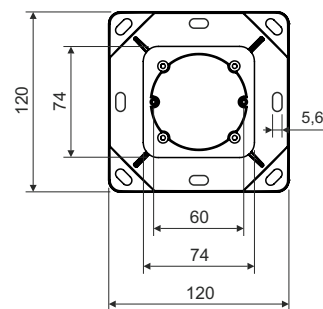


## KEZ 300



product  
description:

designed for distribution system with voltage 400 V  
 for device installation in insulated building facades with a thickness from 50 - 300 mm.  
 eliminates thermal bridging.  
 included in the packaging are high quality wall plugs and screws for mounting  
 when installing into rough plaster, we recommend to seal the device with silicon  
 robust construction  
 suitable for mounting double-socket  
 see assembly video at [www.kopos.com](http://www.kopos.com)

material: PP

color: gray

self-snuffing: yes, within 30 s

temperature resistance: -25 - +60 °C

flaming loop test: 850 °C

fire class for underlying material: A1-F

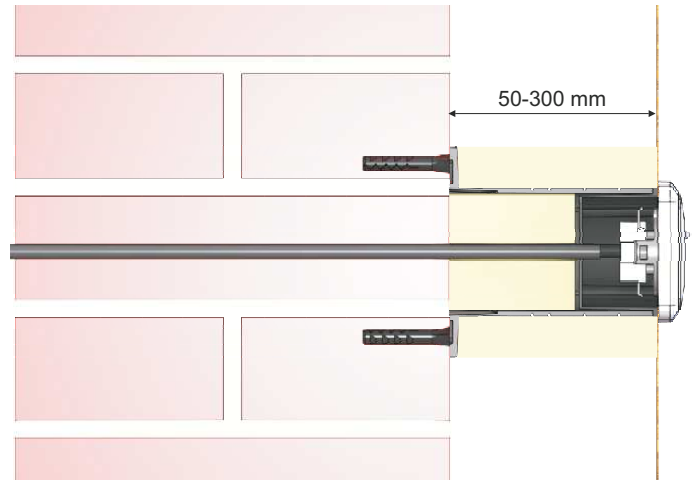
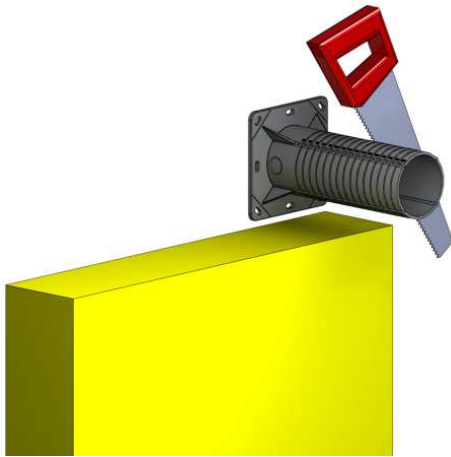
weight: 280 g

certification: EN 60 670-1

storage: ČSN 64 0090

configuration: KB - individual boxes packed in separate cardboard



**Assembling installation box into thermal insulation KEZ 300**

There is necessary to cut the carrier including inserted insulation before installation depending on layer thickness insulation.

The carrier is fixed to the wall with twists and dowels depending on type of the wall surface.

The finally installation of box should be done by 4 added screws.

