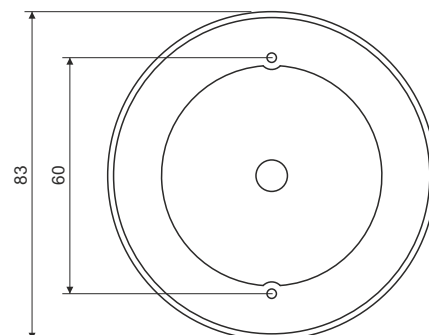
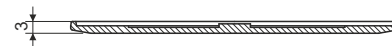


cover - halogen-free

V 68HF

product description: to cover the boxes with fixing spacing of 60 mm using fastening screws
for premises with increased need for protection of persons and property

material: PC (halogen-free)

color: white RAL 9003

self-snuffing: yes, within 30 s

temperature resistance: -45 - +105 °C

flaming loop test: 850 °C

fire class for underlying material: A1-F

weight: 10 g

certification: EN 60 670-1

storage: ČSN 64 0090

configuration: HB - 10 covers packed in foil, labeled; 100 covers packed in cardboard