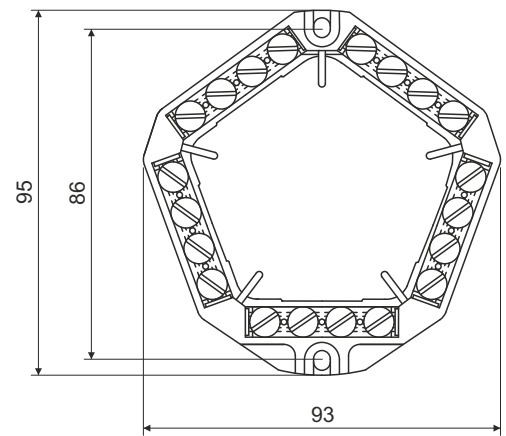


terminal plate

SP-96

product description:

intended into distribution boxes with fixing spacing of 86 mm

five separate fields for connecting up to four conductors of up to 4 mm² in diameter

for voltages of up to 500 V

for boxes: KO 97/5, KO 97/L, KR 97/5, KR 97/L, KOM 97, KOM 97HF, KOM 97/LU, KO 100, KO 100 E, KO 110/L, KO 125, KO 125 E, KO 125/1L, KT 250, KT 250/1, KT 250/L, KSK 125, KSK 175, 8110, 8111, 8112, 8117, 8118, 8119, 8135

material: PA (halogen-free)

color: black

self-snuffing: yes, within 30 s

temperature resistance: -30 - +105 °C

flaming loop test: 850 °C

fire class for underlying material: A1-F

weight: 72 g

certification: EN 60998-1

storage: ČSN 64 0090

configuration: FB - 10 terminal plates packed in a foil, labeled; 180 terminal plates packed in cardboard