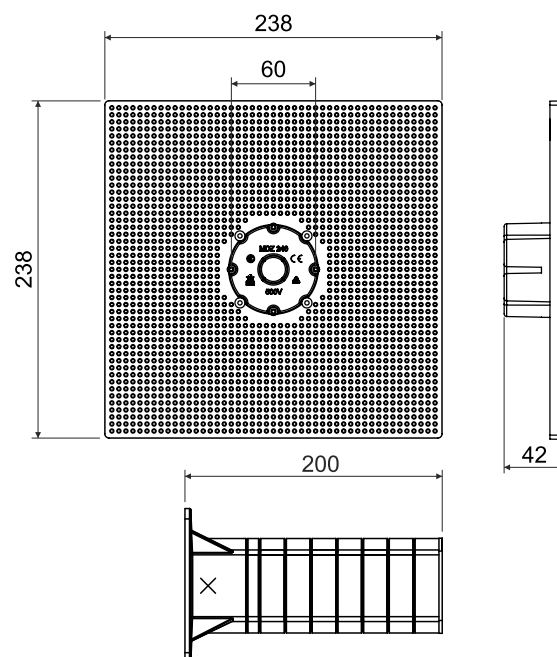
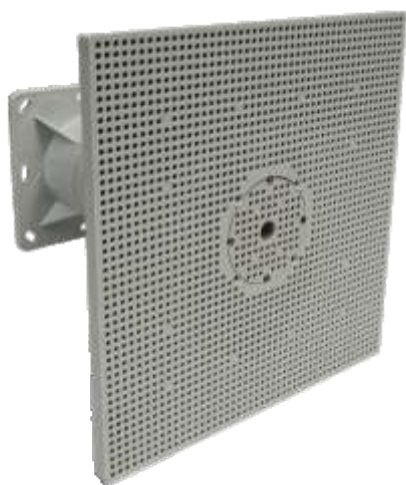


MDZ XL



product description:

designed for distribution system with voltage 400 V
 for the installation of electrical devices (outdoor lights, motion sensors, 400 V sockets, etc.) on thermally insulated buildingsfasades with a thickness from 50 to 200 mm
 eliminates thermal bridging
 load of 40 N at a distance of 180 mm from the wall
 the package includes quality wall plugs and screws for mounting
 robust construction
 see assembly video at www.kopos.com (MDZ)

material: PP

color: gray

self-snuffing: yes, within 30 s

temperature resistance: -25 - +60 °C

flaming loop test: 850 °C

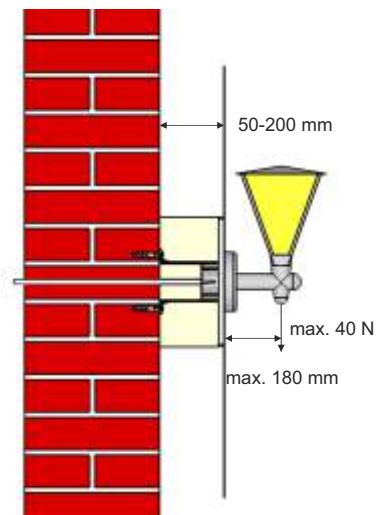
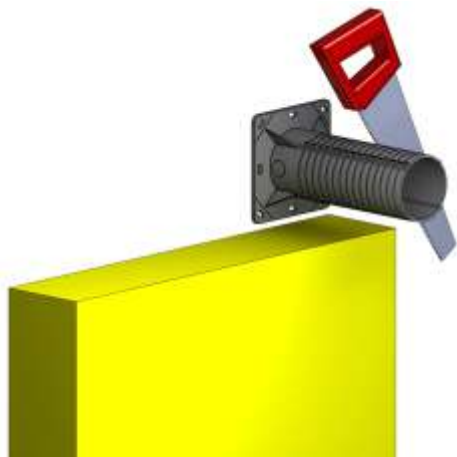
fire class for underlying material: A1-F

weight: 742 g

certification: EN 60 670-1

storage: ČSN 64 0090

configuration: KB - individual mounting plates are packed in separate cardboard

Assembling installation box into thermal insulation MDZ XL

There is necessary to cut the carrier including inserted insulation before installation depending on layer thickness insulation.

The carrier is fixed to the wall with twists and dowels depending on type of the wall surface. For installation of 400 V plug we recommend to fasten the carrier with chemical anchors.

The finally installation of mounting plate should be done by 4 added screws.

The mounting desk includes integrated box which is designed for connection primary, but it can also be used as a standard box for sockets or switches.

