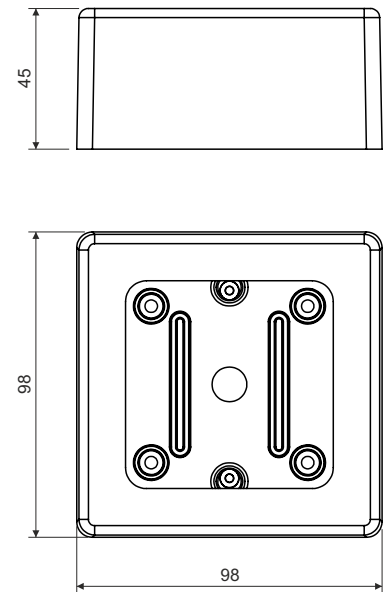


## junction box

**LKM 45**

## product description:

designed for distribution system with voltage 400 V and with maximum current 16 A  
 universal box for most single devices available on the market  
 on the sides of the box are marked inlets for the trunkings (max. 40x20 mm)  
 the box consists of two parts, the top and bottom part  
 to install on materials with fire classes E or F, use insulating pad

material: PVC

color: white

self-snuffing: yes, within 30 s

temperature resistance: -5 - +60 °C

flaming loop test: 850 °C

fire class for underlying material: A1-D

weight: 82 g

certification: EN 60 670-1

storage: ČSN 64 0090

configuration: HB - 10 pcs boxes including device screws packed in foil; 120 pcs boxes in cardboard

accessories: screwless terminal plates TYP015, TYP016, TYP017, TYP018