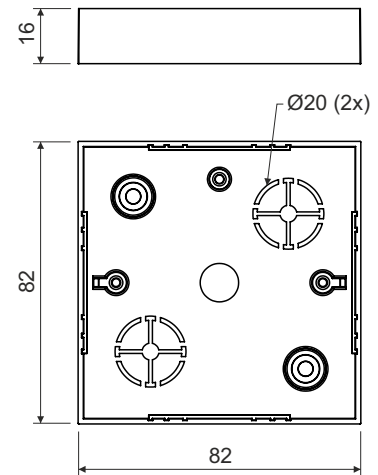


## junction box

**LK 80/1**

## product description:

designed for distribution system with voltage 400 V and with maximum current 16 A  
 its shape is also suitable for older devices  
 on the sides of the box are marked inlets for the trunkings  
 to install on materials with fire classes E or F, use insulating pad

material: PVC

color: white

self-snuffing: yes, within 30 s

temperature resistance: -5 - +60 °C

flaming loop test: 850 °C

fire class for underlying material: A1-D

weight: 31 g

certification: EN 60 670-1

storage: ČSN 64 0090

configuration: HB - 10 pcs boxes including device screws packed in foil; 160 pcs boxes in cardboard

## accessories:

cover VLK 80  
 thermo-insulating pad PI 80R  
 terminal plate S-66  
 screwless terminal plates TYP015, TYP016, TYP017, TYP018