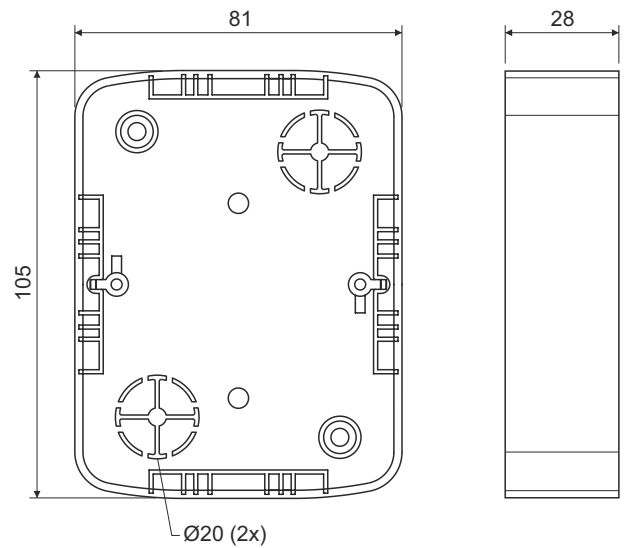


junction box - halogen-free

LK 80X28 2ZTHF

product description:

designed for distribution system with voltage 400 V and with maximum current 16 A
 for premises with increased need for protection of persons and property
 intended for devices of Tango - ABB series
 suitable for installation double socket
 on the sides of the box are marked inlets for the trunkings
 to install on materials with fire classes E or F, use insulating pad

material: PC (halogen-free)

color: white RAL 9003

self-snuffing: yes, within 30 s

temperature resistance: -45 - +105 °C

flaming loop test: 850 °C

fire class for underlying material: A1-D

weight: 39 g

certification: EN 60 670-1

storage: ČSN 64 0090

configuration: HB - 10 pcs boxes including device screws packed in foil; 80 pcs boxes in cardboard

accessories: screwless terminal plates TYP015, TYP016, TYP017, TYP018
 thermo-insulating pad PI 80 2ZT