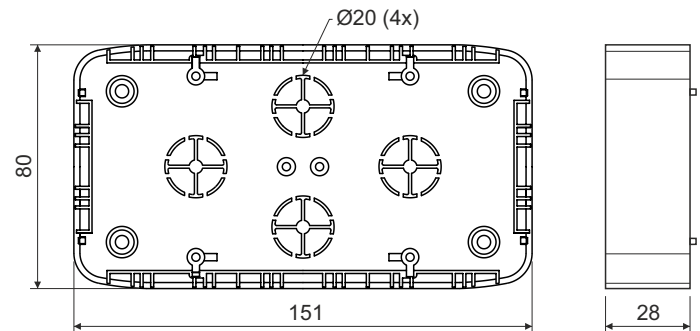
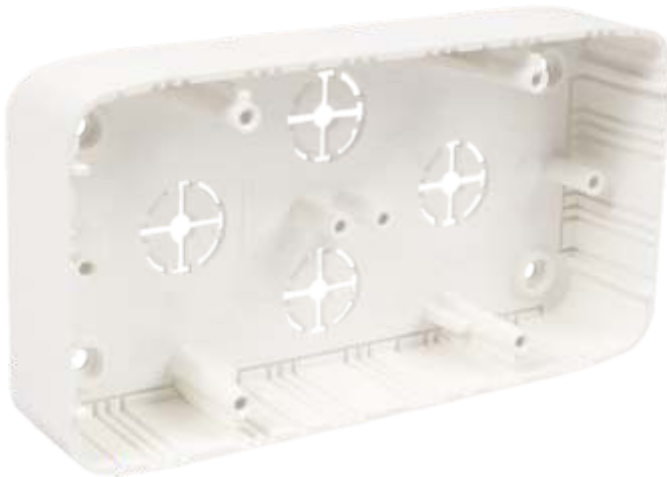


junction box

LK 80X28 2T

product description:

designed for distribution system with voltage 400 V and with maximum current 16 A

intended for devices of Tango - ABB series

for devices in a horizontal double frame

on the sides of the box are marked inlets for the trunkings

to install on materials with fire classes E or F, use insulating pad – to support, use 2 pads PI 80 2ZT and adjust to the desired size

material: PVC

color: white

self-snuffing: yes, within 30 s

temperature resistance: -5 - +60 °C

flaming loop test: 850 °C

fire class for underlying material: A1-D

weight: 72 g

certification: EN 60 670-1

storage: ČSN 64 0090

configuration: HB - 10 pcs boxes including device screws (for 2 devices in 1 box) packed in foil; 60 pcs boxes in cardboard

accessories:

thermo-insulating pad PI 80 2ZT

screwless terminal plates TYP015, TYP016, TYP017, TYP018