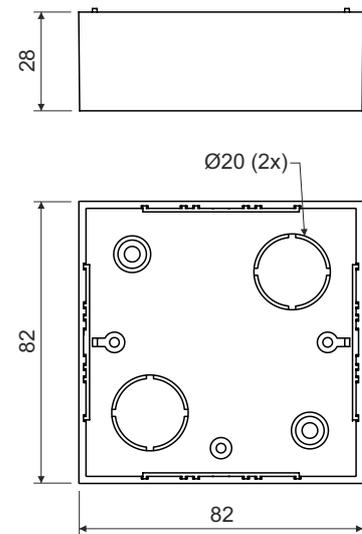


junction box

LK 80X28/1

product description:

designed for distribution system with voltage 400 V and with maximum current 16 A
 its shape is also suitable for older devices
 allows installation of devices with greater mounting depth
 on the sides of the box are marked inlets for the trunkings
 to install on materials with fire classes E or F, use insulating pad

material: PVC

color: white

self-snuffing: yes, within 30 s

temperature resistance: -5 - +60 °C

flaming loop test: 850 °C

fire class for underlying material: A1-D

weight: 50 g

certification: EN 60 670-1

storage: ČSN 64 0090

configuration: HB - 10 pcs boxes including device screws packed in foil; 100 pcs boxes in cardboard

accessories:

cover VLK 80
 thermo-insulating pad PI 80R
 terminal plate S-66
 screwless terminal plates TYP015, TYP016, TYP017, TYP018