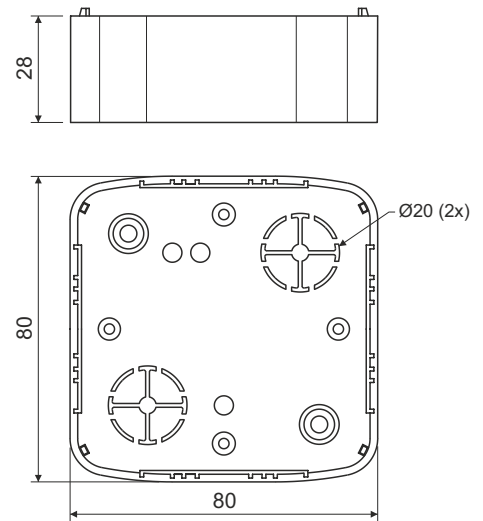


junction box

LK 80X28 T

product description:

designed for distribution system with voltage 400 V and with maximum current 16 A
 intended for devices of Tango - ABB series
 suitable for devices with great mounting depth
 on the sides of the box are marked inlets for the trunkings
 to install on materials with fire classes E or F, use insulating pad

material: PVC

color: white / imitation pink birch / imitation dark oak / light brown

self-snuffing: yes, within 30 s

temperature resistance: -5 - +60 °C

flaming loop test: 850 °C

fire class for underlying material: A1-D

weight: 45 g

certification: EN 60 670-1

storage: ČSN 64 0090

configuration:

HB - 10 pcs boxes including device screws packed in foil; 100 pcs boxes in cardboard; color - white
 I1 - 10 pcs boxes including device screws packed in foil; 100 pcs boxes in cardboard; color - imitation pink birch
 I2 - 10 pcs boxes including device screws packed in foil; 100 pcs boxes in cardboard; color - imitation dark oak
 SD - 10 pcs boxes including device screws packed in foil; 100 pcs boxes in cardboard; color - light brown

accessories:

screwless terminal plates TYP015, TYP016, TYP017, TYP018
 cover VLK 80/T
 extending frame NRT
 thermo-isolating pad PI 80 T
 terminal plate S-66

