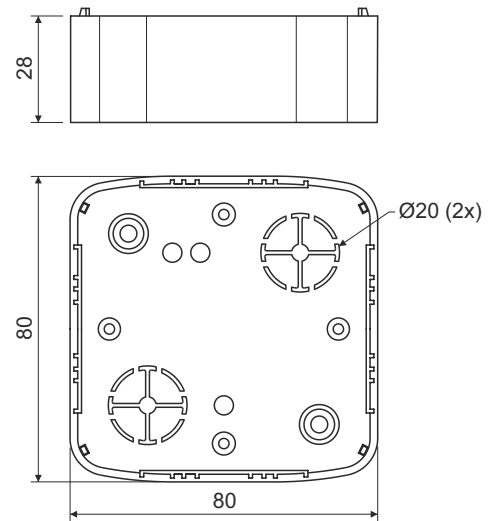


## junction box - halogen-free

**LK 80X28 THF**

## product description:

designed for distribution system with voltage 400 V and with maximum current 16 A  
 for premises with increased need for protection of persons and property  
 intended for devices of Tango - ABB series  
 suitable for devices with great mounting depth  
 on the sides of the box are marked inlets for the trunkings  
 to install on materials with fire classes E or F, use insulating pad

material: PC (halogen-free)

color: white RAL 9003

self-snuffing: yes, within 30 s

temperature resistance: -45 - +105 °C

flaming loop test: 850 °C

fire class for underlying material: A1-D

weight: 36 g

certification: EN 60 670-1

storage: ČSN 64 0090

configuration: HB - 10 pcs boxes including device screws packed in foil; 100 pcs boxes in cardboard

accessories: thermo-insulating pad PI 80 T  
 screwless terminal plates TYP015, TYP016, TYP017, TYP018