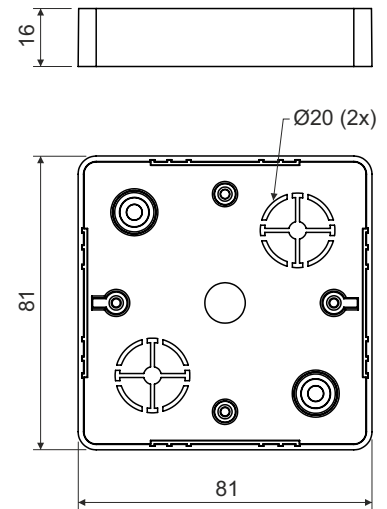


junction box

LK 80R/1

product description:

designed for distribution system with voltage 400 V and with maximum current 16 A
intended for devices of Classic and Swing - ABB series
on the sides of the box are marked inlets for the trunkings
to install on materials with fire classes E or F, use insulating pad

material: PVC

color: white

self-snuffing: yes, within 30 s

temperature resistance: -5 - +60 °C

flaming loop test: 850 °C

fire class for underlying material: A1-D

weight: 31 g

certification: EN 60 670-1

storage: ČSN 64 0090

configuration: HB - 10 pcs boxes including device screws packed in foil; 160 pcs boxes in cardboard

accessories:

cover VLK 80/R
extending frame NR 80/R
thermo-isolating pad PI 80R
terminal plate S-66
screwless terminal plates TYP015, TYP016, TYP017, TYP018