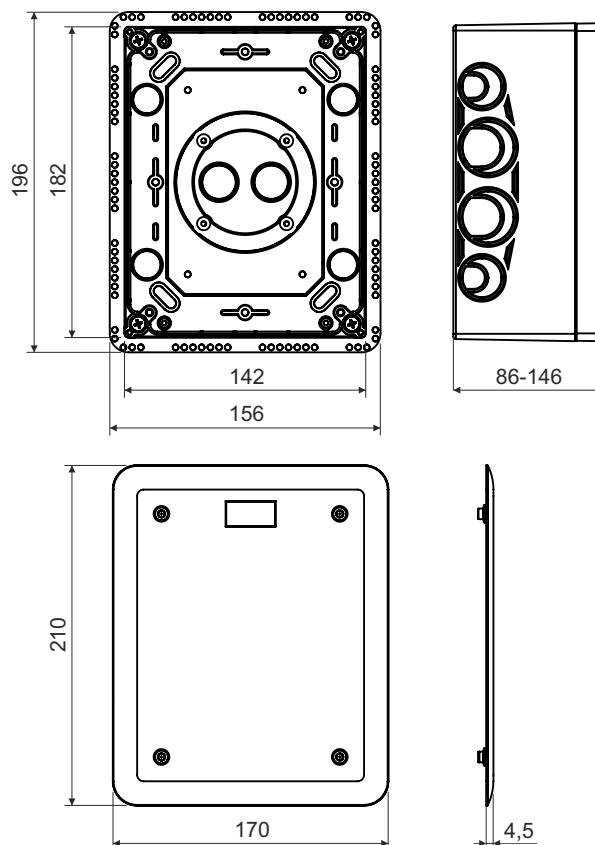


## KUZ-V



product description:

Box designated for distribution systems with voltage up to 400 V  
 For installation in insulated building facades 80-140 mm thick, or as a box under plaster  
 Use as a distribution box, for measuring the lightning conductor terminal and other applications as required by the customer  
 Box depth is adjustable  
 The kit contains the box and V 180 straight cover + stainless bolts  
 When installing on exterior plaster, it is recommended to seal the lid with silicone, or rubber-based window seal (IP 44)  
 Robust design  
 Protected by European industrial design  
 Installation video at [www.kopos.cz](http://www.kopos.cz)

material: PC ABS, halogen-free

color: gray

self-snuffing: yes, within 30 s

temperature resistance: -25 - +60 °C

flaming loop test: 850 °C

fire class for underlying material: A1-F

protection types: IP 30

protection types: IP 44 - seal under the lid, plaster roughness up to 2 mm

weight: 475 g

certification: EN 60 670-1

storage: ČSN 64 0090



configuration: KB - individual boxes packed in separate cardboard

accessories: terminal plate S-KSK 2  
 screwless terminal plates TYP015, TYP016, TYP017, TYP018  
 support trunking TS35