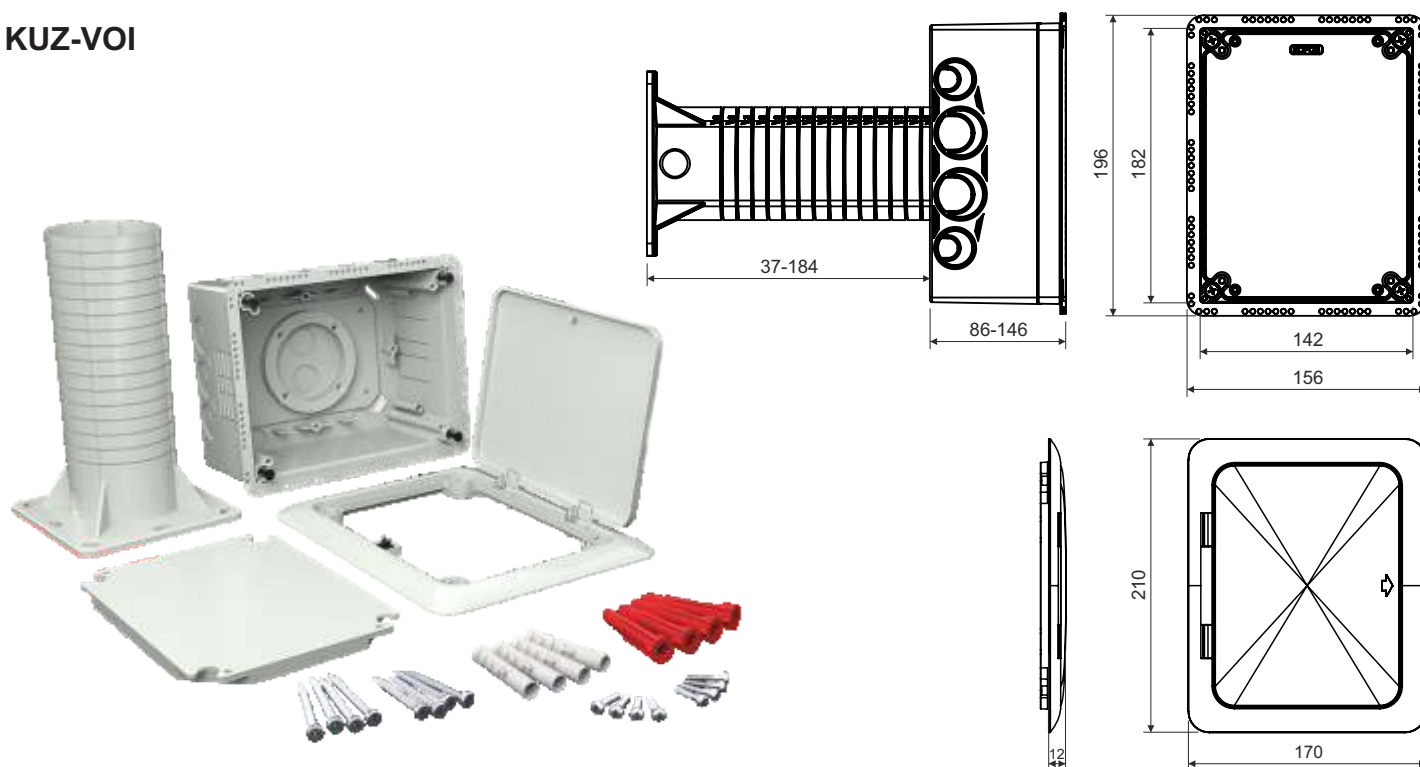


KUZ-VOI

product description:

Box designated for distribution systems with voltage up to 400 V

For installation in insulated building facades 120-300 mm thick

Use for the installation of electrical equipment, a distribution box and other applications as required by the customer

Eliminates thermal bridges

Box depth is adjustable

The kit contains the box, tube, inner and outer insulation, assembly leaflet, VO 180 open cover, mounting plate and stainless bolts

When installing on exterior plaster, it is recommended to seal the lid with silicone, or rubber-based window seal (IP 44)

Robust design

Protected by European industrial design

Installation video at www.kopos.cz

material: PC ABS, halogen-free

color: gray

self-snuffing: yes, within 30 s

temperature resistance: -25 - +60 °C

flaming loop test: 850 °C

fire class for underlying material: A1-F

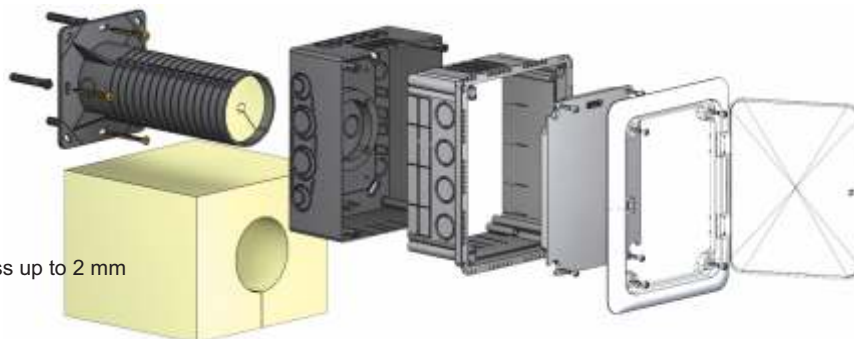
protection types: IP 30

protection types: IP 44 - seal under the lid, plaster roughness up to 2 mm

weight: 840 g

certification: EN 60 670-1

storage: ČSN 64 0090



configuration: KB - individual boxes packed in separate cardboard

accessories: screwless terminal plates TYP015, TYP016, TYP017, TYP018
instrument carrier PK KUZ
support trunking TS35