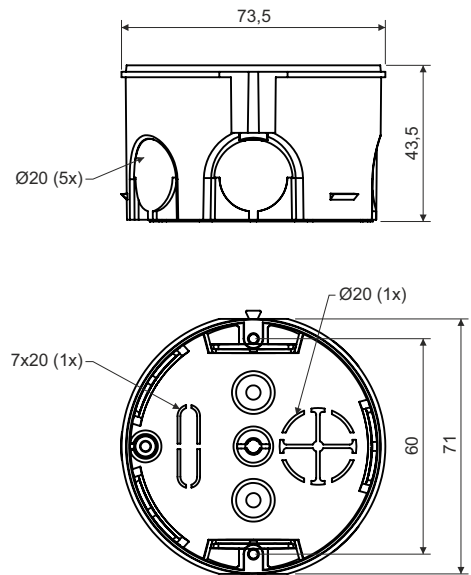


## junction box - halogen-free

**KU 68-1901HF**

## product description:

designed for distribution system with voltage 400 V and with maximum current 16 A  
 for premises with increased need for protection of persons and property  
 possibility to join into and continuous series with and spacing of 71 mm (up to 3 boxes)  
 allows to install double-socket  
 possibility to insert a terminal plate and screwless terminals

material: PPO (halogen-free, Pb-free)

color: black

self-snuffing: yes, within 30 s

temperature resistance: -45 - +105 °C

flaming loop test: 850 °C

fire class for underlying material: A1-D

weight: 20 g

certification: EN 60 670-1

storage: ČSN 64 0090

configuration: FA - 10 boxes packed in shrink film, packaging labelled, screws included; 100 boxes in cardboard

accessories: cover V 68HF  
 blind cover ZV 68  
 terminal plate S-66  
 screwless terminal plates TYP015, TYP016, TYP017, TYP018

auxiliary tools: non-hammered masonry cutter FR 68 SDS