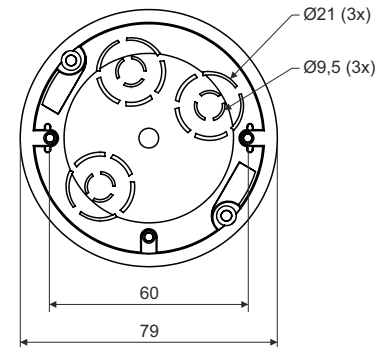
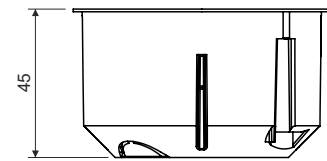


**KU 68 LA/1HF**

product description: designed for distribution system with voltage 400 V and with maximum current 16 A  
for premises with increased need for protection of persons and property  
allows to install double-socket  
while stocks last

material: PPO (halogen-free, Pb-free)  
color: black  
self-snuffing: yes, within 30 s  
temperature resistance: -45 - +105 °C  
flaming loop test: 850 °C  
fire class for underlying material: A1-D  
weight: 37 g  
certification: EN 60 670-1  
storage: ČSN 64 0090

configuration: FA - boxes fitted with screws for mounting into double wall, device screws included; 90 boxes in cardboard

accessories: terminal plate S-66  
screwless terminal plates TYP015, TYP016, TYP017, TYP018

auxiliary tools: drill for hollow walls - set VDS 68 (universal carrier VPTU + saw-drill VPT 68 + spring P1) + recessing edge ZBU