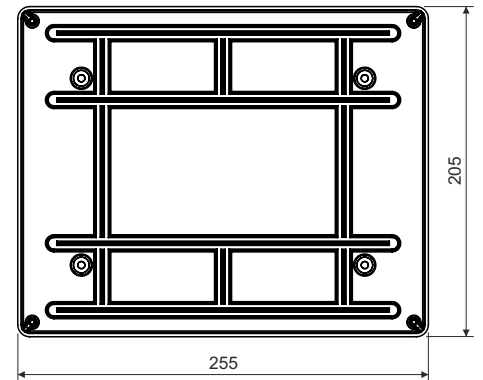


junction box

KT 250

product description:

designed for distribution system with voltage 400 V and with maximum current 16 A
 boxes for communication and power distribution
 at the bottom of the box are grooves for mounting the telephone terminals
 suitable for surface mounting - lid follows the size of the box
 boxes without preformed knockouts

material: PVC

color: gray

self-snuffing: yes, within 30 s

temperature resistance: -5 - +60 °C

flaming loop test: 850 °C

fire class for underlying material: A1-D

weight: 666 g

certification: EN 60 670-1

storage: ČSN 64 0090

configuration: KB - 1 pc box, lid and screws packings in foil, 11 pcs placed in cardboard

accessories: terminal plate S-66; S-96; SP-96
 screwless terminal plates TYP015, TYP016, TYP017, TYP018
 support trunking TS35