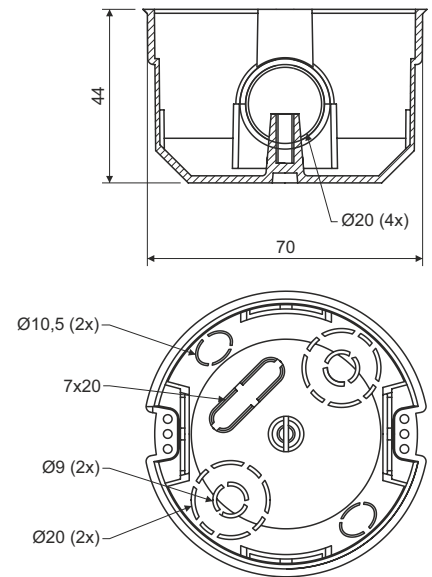


**junction box with assembly ring MKU 64**
**KPM 64/LU**


product description: designed for distribution system with voltage 400 V and with maximum current 16 A  
 for mounting into plaster with a thickness of 12.5 mm  
 assembly ring enables installation even in double double wall of 2x 12.5 mm  
 quick installation without screws - only pressed into the assembly ring  
 during the assembling there is necessary to dimple the edge of plasterboard  
 allows to install double-socket

material: PVC (Pb Free)  
 color: yellow  
 self-snuffing: yes, within 30 s  
 temperature resistance: -5 - +60 °C  
 flaming loop test: 850 °C  
 fire class for underlying material: A1-F  
 weight: 34 g  
 certification: EN 60 670-1  
 storage: ČSN 64 0090

configuration: NA - boxes and assembly ring loose in cardboard - 90 pcs

accessories: cover V 68; KO 68  
 screwless terminal plates TYP015, TYP016, TYP017, TYP018

auxiliary tools: drill for hollow walls - set VDS 68 (universal carrier VPTU + saw-drill VPT 68 + spring P1) + recessing edge ZBU