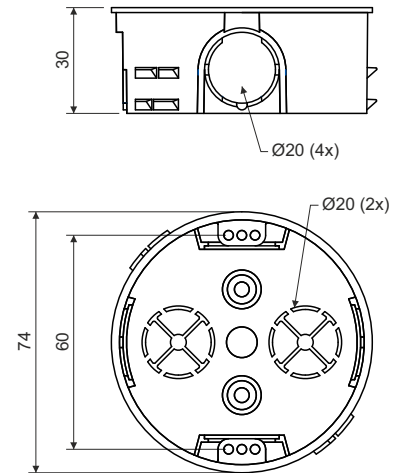


## junction box - halogen-free

**KP 68/2HF**

## product description:

designed for distribution system with voltage 400 V and with maximum current 16 A  
 for premises with increased need for protection of persons and property  
 allows the installation of wiring in thin partitions  
 allows to install double-socket

material: PPO (halogen-free, Pb-free)

color: black

self-snuffing: yes, within 30 s

temperature resistance: -45 - +105 °C

flaming loop test: 850 °C

fire class for underlying material: A1-D

weight: 17 g

certification: EN 60 670-1

storage: ČSN 64 0090

configuration: FA - 10 boxes packed in shrink film, packaging labelled, screws included; 150 boxes in cardboard

accessories: cover V 68HF  
 blind cover ZV 68  
 screwless terminal plates TYP015, TYP016, TYP017, TYP018

auxiliary tools: non-hammered masonry cutter FR 68 SDS