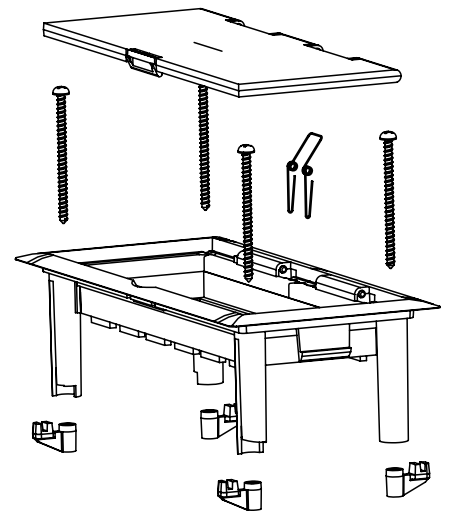


KOPOBOX MINI P



product description: designed for distribution system with voltage 500 V
 the configuration is intended for assembling into the parapet trunkings PK 110X70 D and PK 110X70 D HF
 fast assembling by help of fixation lugs
 it enables the assembling of modular devices of 45x45 (max. 3 pcs) and 22,5x45 (max. 6 pcs), recommendations of devices manufacturers Legrand, ABB, PEHA, Simon connect, Schneider electric
 dimensions of a complete set: 175 x 80 x 50 mm

material: PC-ABS (halogen-free)

color: white RAL 9003

self-snuffing: yes, within 30 s

temperature resistance: -5 - +60 °C

flaming loop test: 850 °C

fire class for underlying material: A1-F

protection types: IP 20

weight: 83 g

certification: EN 60 670-1, TP-KO-02/13 art. 15.101 a) allowable deflection to 5.5 mm

storage: ČSN 64 0090

configuration: HB - package - 1 set in cardboard; color cover and frame - white RAL 9003

instruction: The frame is fitted between the covers parapet trunking. The edges of the cover are covered frame.
 Frame is attached with 4 feet screws.
 The frame is fitted with modular devices.
 The cover with spring is attached to the frame.



video-instruction