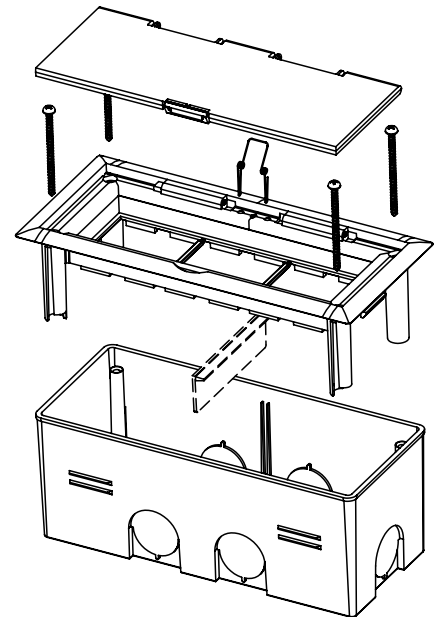


KOPOBOX MINI B



product description:

designed for distribution system with voltage 500 V

the configuration is intended for assembling under parget or to concrete floors.

it enables the assembling of modular devices of 45x45 (max. 3 pcs) and 22,5x45 (max. 6 pcs), recommendations of devices manufacturers Legrand, ABB, PEHA, Simon connect, Schneider electric

dimensions of a complete set: 175 x 80 x 68 mm

max. load: 1000 N to total surface of cover (cover + frame)

material: PC-ABS (halogen-free)

color: light gray RAL 7035 / white RAL 9003

self-snuffing: yes, within 30 s

temperature resistance: -5 - +60 °C

flaming loop test: 850 °C

fire class for underlying material: A1-F

protection types: IP 20

weight: 183 g

certification: EN 60 670-1, TP-KO-02/13 art. 15.101 a) allowable deflection to 5.5 mm

storage: ČSN 64 0090

configuration:

HB - package - 1 set in cardboard; color cover and frame - white RAL 9003

KB - package - 1 set in cardboard; color cover and frame - light gray RAL 7035

instruction:

Installation box is inserted into the gypsum bed in the wall or floor. In the box is inserted a spacer, which prevents deflection wall of the box during solidification gypsum.

The dimensions of installation box: 163x70x65 mm

Inputs: 6x Ø25mm

The spacer is removed after hardening plaster. In the box frame is attached with 4 screws. Screws are included.

The frame is fitted with modular devices.

The cover with spring is attached to the frame.



video-instruction