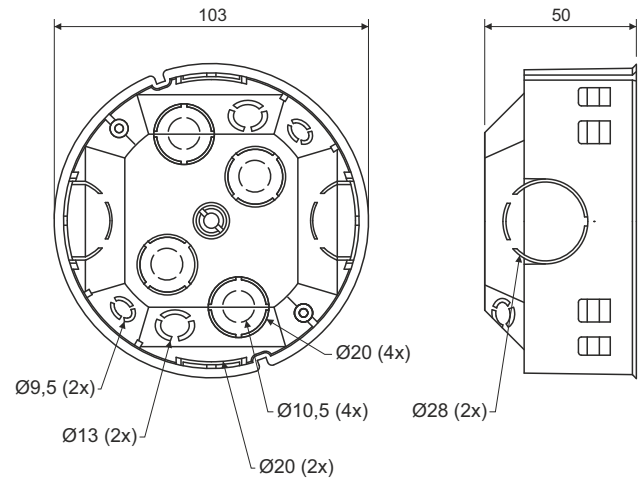


**junction box with cover KO 97 V/1 HF - halogen-free**
**KOM 97HF**


product description: designed for distribution system with voltage 400 V and with maximum current 16 A  
 for premises with increased need for protection of persons and property  
 a large number of knockouts to make larger installations  
 projections against ripping the box out of the wall  
 sufficient space for terminal plate and circuit connection

material: PPO (halogen-free, Pb-free)

color: black

self-snuffing: yes, within 30 s

temperature resistance: -45 - +105 °C

flaming loop test: 850 °C

fire class for underlying material: A1-D

weight: 82 g

certification: EN 60 670-1

storage: ČSN 64 0090

configuration: KA - 40 pcs boxes with attached covers placed in a cardboard separately

accessories: cover KO 97 V/1 HF  
 blind cover ZV 97  
 terminal plate S-96; SP-96  
 screwless terminal plates TYP015, TYP016, TYP017, TYP018