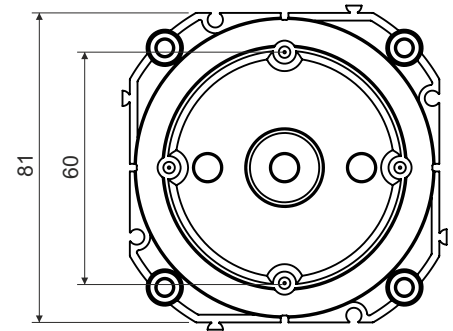


## cover of the box into concrete

**KBV-2**

## product description:

the cover is designed for mounting with body of the box KBT-1 or KBT-2  
 allows connection with a spacing of 80 mm (two frames instrumentation Classic, Swing and Tango side by side)  
 to increase the spacing of 88 mm is spacer KBE-1 (two frames apparatus Classic, Tango or Swing side by side with a gap of 8 mm)  
 the cover can be attached to the formwork using nails  
 after hardening of the concrete, remove part of the rip-out part of the cover, making space for mounting  
 to adjust the height when applying additional plaster, you can use extending frame NRB 60/12 or NRB 60/24

material: PP (halogen-free)

color: gray

self-snuffing: no

temperature resistance: -5 - +60 °C (short-time +90 °C)

flaming loop test: 650 °C

fire class for underlying material: A1

weight: 34 g

certification: EN 60 670-1

storage: ČSN 64 0090

configuration: KB - 10 covers packed in foil, labeled; 160 covers in cardboard