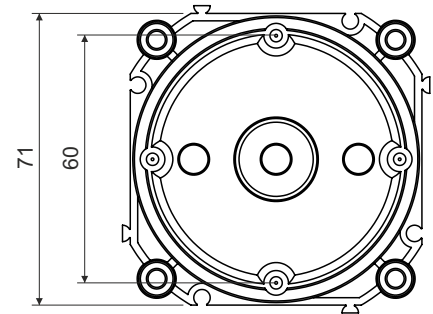
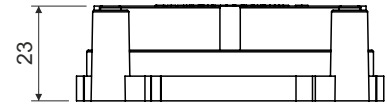


## cover of the box into concrete

**KBV-2/71**

## product description:

the cover is designed for mounting with box KBT-3/71  
 allows connection more covers into continuous series with spacing of 71 mm, suitable for multiple frames  
 the cover can be attached to the formwork using nails  
 after hardening of the concrete, remove part of the rip-out part of the cover, making space for mounting  
 to adjust the height when applying additional plaster, you can use extending frame NRB 60/12 or NRB 60/24

material: PP (halogen-free)

color: gray

self-snuffing: no

temperature resistance: -5 - +60 °C (short-time +90 °C)

flaming loop test: 650 °C

fire class for underlying material: A1

weight: 32 g

certification: EN 60 670-1

storage: ČSN 64 0090

configuration: KB - 10 covers packed in foil, labeled; 200 covers in cardboard

## cover of the box into concrete

### Example of using one-sided mounting

Cover KBV-2/71 is mounted to the fixed part of the casing. To the body KBT-3/71 is prepared inputs for pipes and pushed to the already fixed cover KBV-2/71.

Spacing pipe 8020 is inserted to support KBP-1/71 as well as the four rods KBP-8. The back part of the set assembled in this way is slipped over the already mounted box and cover. Wiring pipes is installed to final set. The manufacturer recommends using a flexible pipes LPE (23xx/LPE-x).

The system can be completed from the side of the support KBP-1 which is mounted to the fixed part of the casing.

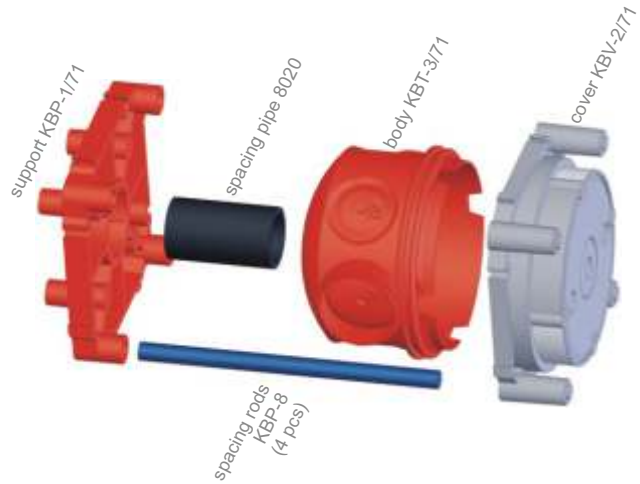
Parts allow joining more sets into continuous series with spacing of 71 mm, suitable for multiple frames.

Calculate the length of the spacer pipe and rods:

min. wall thickness = min. length set = 80 mm (L)

length of spacing rods (mm) = L - 20

length of spacing pipe 8020 (mm) = L - 65



### Example of using double-sided mounting

Cover KBV-2/71 is mounted to the fixed part of the casing. To the body KBT-3/71 is prepared inputs for pipes and pushed to the already fixed cover KBV-2/71.

The other box is assembled, pipe 8020 is inserted as well as four rods KBP-8. The back part of the set assembled in this way is slipped over the already mounted box and cover. Wiring pipes is installed to final set. The manufacturer recommends using a flexible pipes LPE (23xx/LPE-x).

Parts allow joining more sets into continuous series with spacing of 71 mm, suitable for multiple frames.

Calculate the length of the spacer pipe and rods:

min. wall thickness = min. length set = 125 mm (L)

length of spacing rods (mm) = L - 10

length of spacing pipe 8020 (mm) = L - 110



Before pouring concrete mixture, we recommend tying the system to reinforcements by means of draw bands and sealing passages around tubes using sealing material.

When the concrete mix is mature and the casing is dismantled, the break-off bottom of the cover KBV-2/71 is removed and final electrical wiring is made inside the KBT-3/71 boxes.

The extending frames NBR 60/12 and NBR 60/24 are used to adjust the height of and box during subsequent application of and plaster.