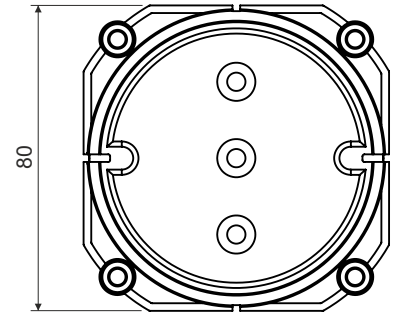
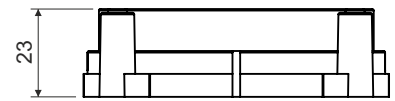


cover of the box into concrete

KBV-1

product description:

the cover is designed for mounting with body of the box KBT-1 or KBT-2
 in combination with KBT-1 allows to install double-socket
 the cover can be attached to the formwork using nails
 after hardening of the concrete, remove part of the rip-out part of the cover, making space for mounting
 when applying additional plaster, blind cover ZV 68 can be used to cover it
 to adjust the height when applying additional plaster, you can use extending frame NR 68/6, NR 68/10 or NRB 60/12, NRB 60/24

material: PP (halogen-free)

color: gray

self-snuffing: no

temperature resistance: -5 - +60 °C (short-time +90 °C)

flaming loop test: 650 °C

fire class for underlying material: A1

weight: 32 g

certification: EN 60 670-1

storage: ČSN 64 0090

configuration: KB - 10 covers packed in foil, labeled; 140 covers in cardboard