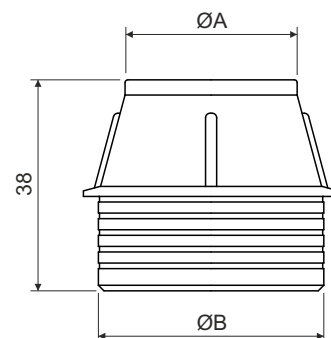


endings for pipes

BK 16
BK 16 CSN
BK 20
BK 23
BK 25
BK 32



product description: for insertion pipes into the BV xx bushing
 the manufacturer recommends using a flexible pipes LPE (23xx/LPE-x)

item number	configuration	ØA (mm)	ØB (mm)	weight (g)	for pipe sizes	package in bag (pcs)	package in cardboard (pcs)
BK 16	AA	19	27	4	EN 16	40	600
BK 16 CSN	AA	24	40	7	ČSN 16	40	320
BK 20	AA	23	27	5	EN 20	40	560
BK 23	AA	30	40	7	ČSN 23	40	280
BK 25	AA	28	40	7	EN 25	40	320
BK 32	AA	35	40	7	EN 32	40	320

material: PE (halogen-free)

color: orange

self-snuffing: no

temperature resistance: -5 - +60 °C (short-time +90 °C)

flaming loop test: 650 °C

fire class for underlying material: A1

certification: EN 60 670-1

storage: ČSN 64 0090

