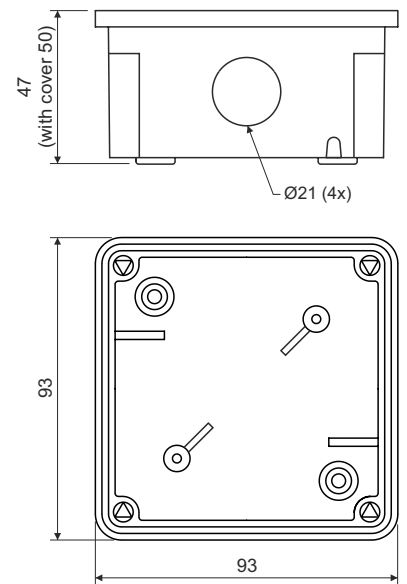


junction box with sealing grommets 1601 and terminal plate S-66
8102

product description:

designed for distribution system with voltage 400 V and with maximum current 16 A

for installation in environment with increased humidity, dust, chemical and corrosion resistance, in environments with increased risk of mechanical damage

universal sealing grommets for cables (max. Ø16 mm) and pipes (Ø20 mm)

to install on materials with fire classes E or F, use thermally insulating pad

material: PVC

color: light gray RAL 7035 / dark gray RAL 7012

self-snuffing: yes, within 30 s

temperature resistance: -5 - +60 °C

flaming loop test: 650 °C

fire class for underlying material: A1-D

protection types: IP 54

weight: 195 g

certification: EN 60 670-1

storage: ČSN 64 0090

configuration:

LA - sealing grommets, terminal plate and cover screws placed in the box, each box packed in shrink foil and labelled; 55 boxes stacked in a cardboard; color - dark gray RAL 7012

KA - sealing grommets, terminal plate and cover screws placed in the box, each box packed in shrink foil and labelled; 55 boxes stacked in a cardboard; color - light gray RAL 7035

accessories:

terminal plate S-66

screwless terminal plates TYP015, TYP016, TYP017, TYP018

sealing grommet 1601