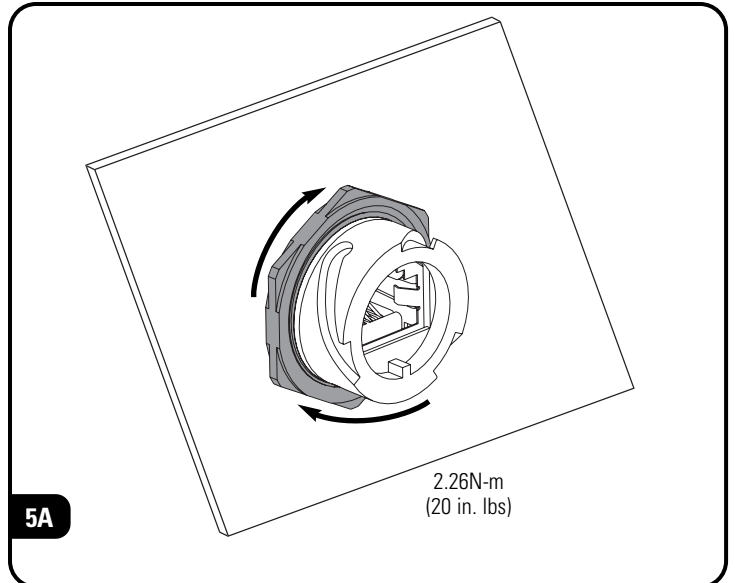
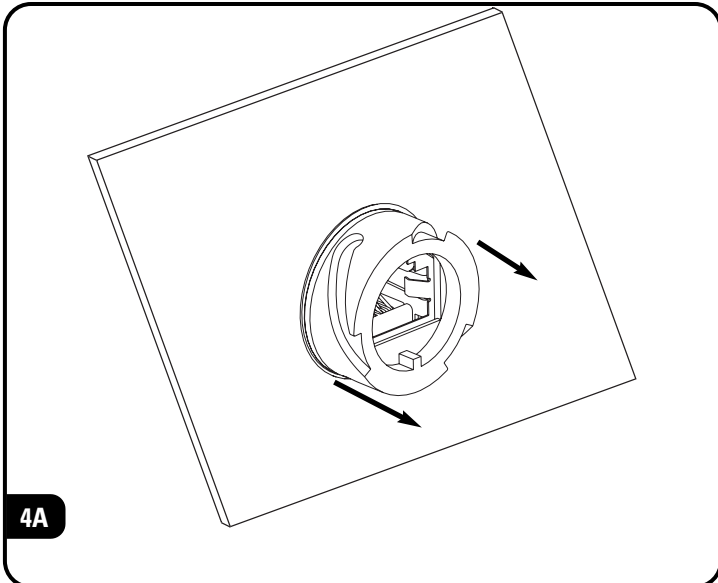
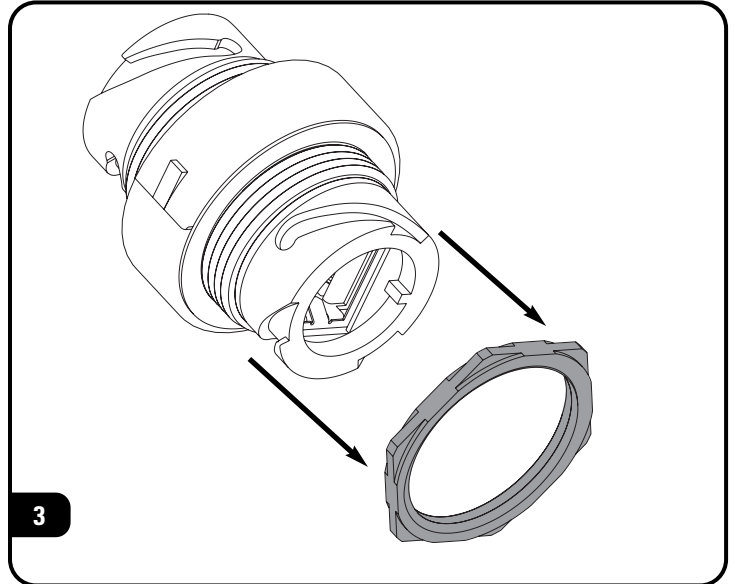
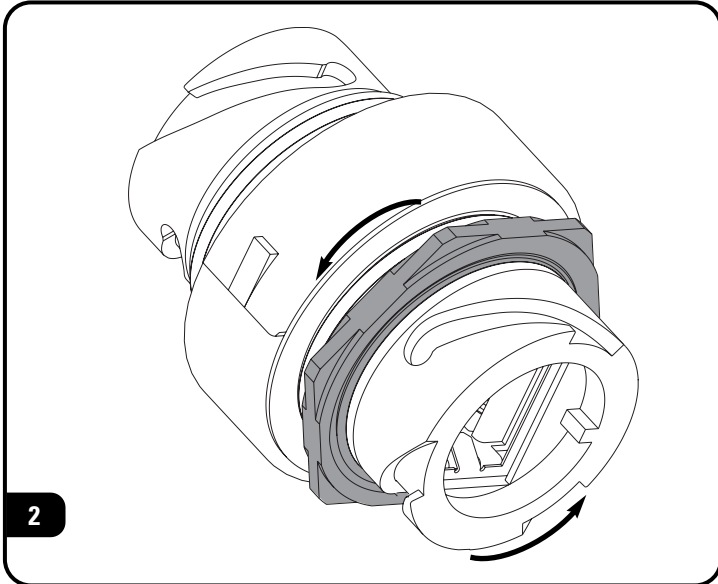
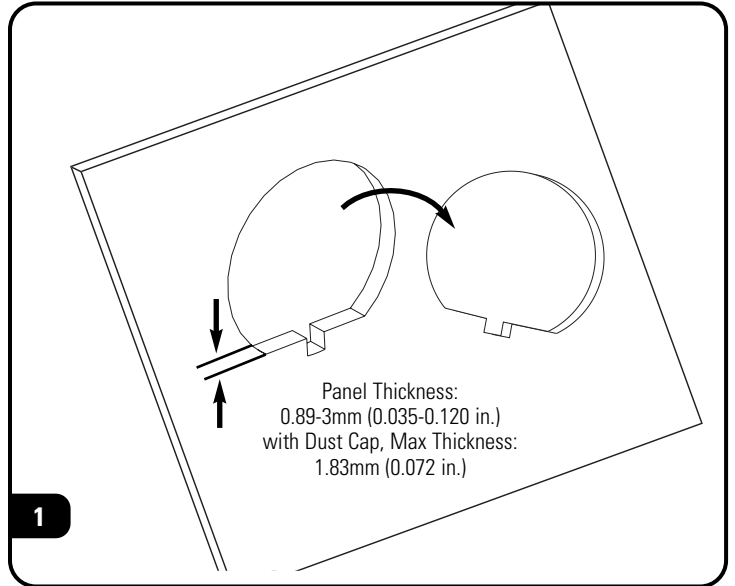
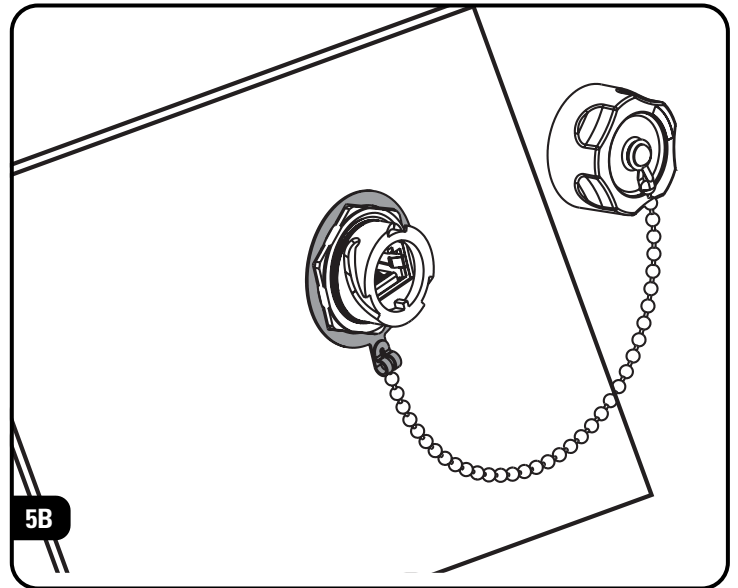
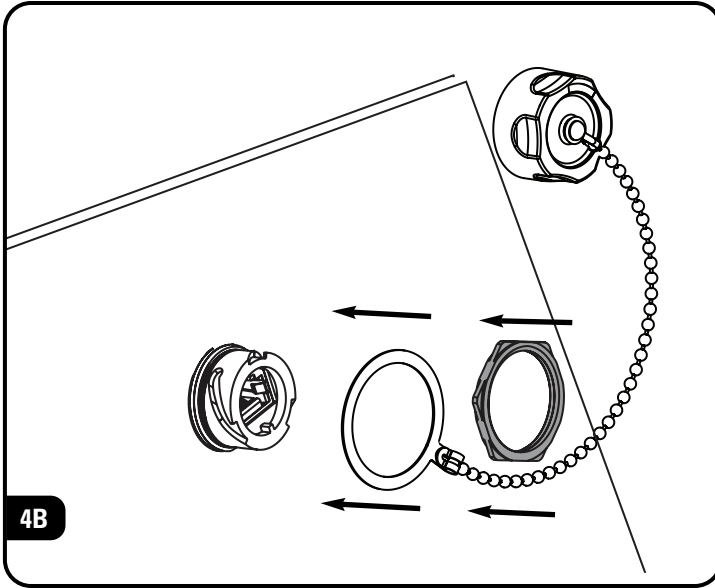


Industrial Bulkhead Coupler Instructions



Industrial Bulkhead Coupler Instructions

Optional Dust Cap



To assist safe installations, comply with the following:

- A. Use caution when installing or modifying telecommunications circuits.
- B. Never touch uninsulated wire terminals unless the circuit has been disconnected.
- C. Never install this device in a wet location.
- D. Never install wiring during a lightning storm.



Rev. D 07/07 100.13916

Global Headquarters
Watertown, Connecticut USA
Tel: (1) 866-548-5814

For a complete listing of our global offices visit our web site



© 2007 Siemon