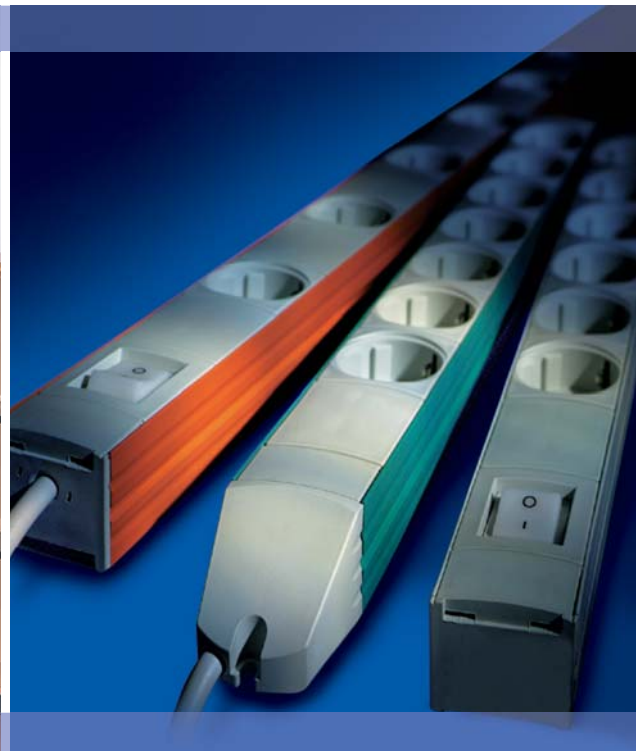


Accessories

*Cabinets, Chairs, Lights/Lamps, System Accessories,
Power Supply, 19" and ESD Accessories*



Accessories

Cabinets	2
Chairs	27
System Lamps	35
System Accessories	41
Knürr DI-STRIP®	47
19" Accessories	65
ESD Accessories	77



ELI00463



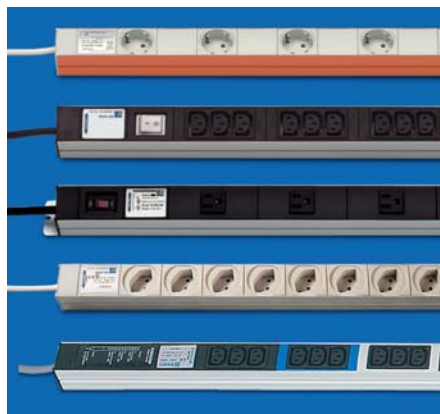
CIC20041



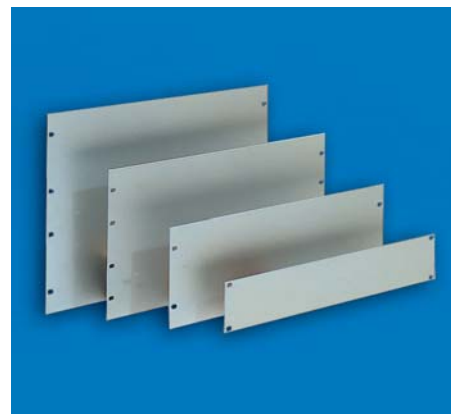
DAC20095



DAC20091



DOS00721



FRO00005



EAP20039



Cabinets

3 to 13



Cabinets

Orga-Cabinet

Technical data	4
Strong points	5

Orga-Cabinet

Wall-Standing Cabinet	6
Pedestal Cabinet	8
Lockable Compartments Cabinet	9
Wall-Standing Shelf Unit	10
Shelf Unit	11
Wall-Standing Cabinet, Glass Door	12
Postformed Top	13

Partition Walls

Partition Walls, Bases, Connecting Strip Set	14
--	----

Drawer Unit

Mobile Drawer Unit	15
Knürr Dacobas®- Free-Standing Drawer Unit	17

Printer Stands

Knürr Dacobas®- Printer Stand	18
Open Printer Stand	18
Printer Stand Accessories	19

Standing Console

Standing Console, Octagonal	20
-----------------------------	----

Monitor Wall

Modular Monitor Wall	22
----------------------	----

Furniture for All Around

Situation and Conference Desk	25
Map Wall	26
Sliding Boards	26

Knürr Orga-Cabinet Technical data

- Wooden main unit bonded
- Cabinets with/without plinth are height-adjustable with 4 levelling screws
- Superstructure cabinets without plinth and levelling components
- All cabinets can be locked with cylinder lock or coloured olive-shaped handle with cylinder lock
- Sliding door cabinets are fitted with a centre panel

Material

- Main unit, doors, side panels, bottom covers and rear panels: three-layer particle board, FP/Y E1 version, directly coated, fire protection class B2
- Compartments and shelves: sheet steel

Finish

- Main unit: laminated particle board, fine texture
- Metal parts: powder-coated texture

Dimensions

- Heights: 2, 3, 4, 5 FH
Cabinet height 720 mm, adjustable with levelling feet to cabinet height 750 mm
- Depths: 430 mm (with post-formed top 440 mm)
- Widths: 800, 1200 mm
- Thickness: Main unit, bottom covers 22 mm
Doors, side panels 19 mm
Rear panels 13 mm
Glass doors 6 mm

Colour

- Final digit of order number .2:
- Main unit and sliding doors: light-grey
 - Shelves, RAL 7035 light-grey
- Final digit of order number .5:
- Main unit and shelves: RAL 7021 dark-grey
 - Sliding doors, beech finish

Standards

- DIN 68761 for main unit and post-formed top
- EN 438 for coating material
- DIN 16926 for high pressure laminated sheet

Note

Cabinet cover as postformed top: A postformed top can be set on top of each cabinet. This top is adjusted to the Knürr Elicon® technical furniture range and must be ordered extra. For 2 U-cabinets that are linked to workstations, there is a version with integrated postformed top, which are then adjusted to the worktop height.

Supply schedule

1 Wall-standing cabinet with sliding doors (Double doors or open shelves on request)

How supplied

- Assembled

Dimensions in mm: W= Width
H = Height
D = Depth
h = Installation height
d = Useful depth
L = Length

FH = Folder height, min. 325 mm / 12,8"
HU = Standard height unit, 1 HU = 44,45 mm
19" = 482,6 mm, (ideal for 19" components in acc. with DIN 41494)
UP = Unit of packaging
kg = Weight

Conversion: 1 inch = 25,4 mm
1 pound = 453,6 g

Replace „x“ with the number of your color choice

Knürr Orga-Cabinet Strong points



1 ELI00518

- 1 A series of cabinets are available without plinth and can therefore be used as stacking cabinets. These cabinet variants enable numerous individual combinations to be created.
- 2 Even heavily loaded cabinets can be comfortably adjusted with the height adjuster from above.
- 3 A single safety glass panel is always used with cabinets with glass doors. All cabinets can be locked, including those with glass doors.
- 4 The free-standing drawer units can be height-adjusted so that they can be placed beside the workstation (desk), while mobile drawer units are mainly placed under the desks and are nonetheless always mobile. Drawer trims and handles create an ergonomic unit - safe and easy to handle.



1 ELI00071



3 ELI00073

- 5 All drawer units can be locked and have a drawer catch.
- 6 The utility tray runs on plastic runners, all other drawers run on telescopic slides, whereby the 6 OU drawer can be fully pulled out.



4 ELI00463

The telescopic slides are covered to prevent any kind of injury.

- 7 Additional shelves and other accessories supplement the cabinet range.



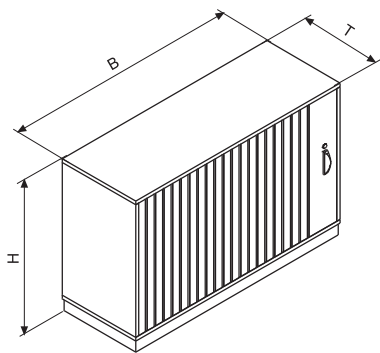
2 ELI00072



6 ELI00075



7 DAC00477



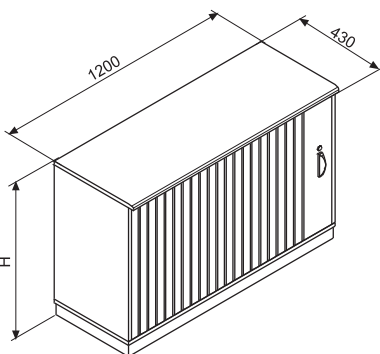
ELI00449

Wall-Standing Cabinet With tambour door, with and without plinth

- Bonded wooden main unit
- Can be adjusted with 4 levelling screws, with plinth
- All cabinets can be locked with cylinder lock
- Plastic tambour door
- As stackable cabinet without plinth and levelling components

- Colour**
- Main unit and tambour door: light-grey
 - Shelf: RAL 7035 light-grey

W	H	D	FH	Model	Order no.	UP
1200	772	430	2	with plinth	00.320.103.2	1 unit
1200	712	430	2	stackable cabinet	00.320.113.2	1 unit
1200	1352	430	3	with plinth	00.320.104.2	1 unit
1200	1292	430	3	stackable cabinet	00.320.114.2	1 unit



ELI20010

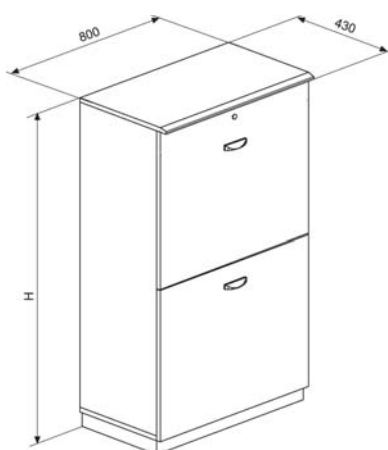
Pedestal Cabinet in Workstation Height With tambour door and postformed top

- With integrated, ergonomic postformed top
- Bonded main unit
- Height adjustable with 4 levelling screws
- All cabinets can be locked - with plastic tambour door
- Optionally with/without plinth

- Colour**
- Main unit, postformed top and tambour door: light-grey
 - Shelf: RAL 7035 light-grey

- Variants**
- Type 1
 - With plinth
 - Type 2
 - Without plinth (with skid)

1200	782	2	with plinth	1 unit
1200	732	2	without plinth	1 unit



ELI20009

Pedestal Cabinet in Workstation Height With suspension frame and postformed top

- With integrated, ergonomic postformed top
- Bonded wooden main unit
- All cabinets can be locked with cylinder lock
- Optionally with/without plinth
- 2 Suspension frame extensions with extension trims

- Colour**
- Final digit of order number .2:
- Main unit, extension trims and postformed top: light-grey
 - Suspension frame extensions: RAL 9011 black
- Final digit of order number .5:
- Main unit and shelves: RAL 7021 dark-grey
 - Postformed top and front trims: beech finish
 - Suspension frame extensions: RAL 9011 black

- Variants**
- Type 1
 - With plinth
 - Type 2
 - Without plinth

W	H	D	FH	Model	Order no.	UP
800	782	2	with plinth	00.320.171.x	1 unit	
800	732	2	without plinth	00.320.167.x	1 unit	

Dimensions in mm: W= Width
 H = Height
 D = Depth
 h = Installation height
 d = Useful depth
 L = Length

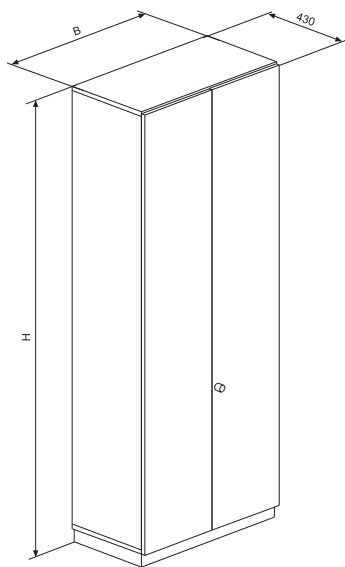
FH = Folder height, min. 325 mm / 12,8"
 HU = Standard height unit, 1 HU = 44.45 mm
 19" = 482.6 mm, (ideal for 19" components in acc. with DIN 41494)
 UP = Unit of packaging
 kg = Weight

Conversion: 1 inch = 25,4 mm
 1 pound = 453,6 g

Replace „x“ with the number of your color choice



CIC20022



ELI00451

Wall-Standing Cabinet With double doors

- Bonded wooden main unit
- Can be adjusted with 4 levelling screws, with plinth
- All cabinets can be locked with olive-shaped handle and cylinder lock
- Without plinth and levelling screws with stackable cabinets

Colour

- Final digit of order number .2:
 - Main unit and doors: light-grey
 - Shelf: RAL 7035 light-grey
- Final digit of order number .5:
 - Main unit and shelves: RAL 7021 dark-grey
 - Doors: beech finish

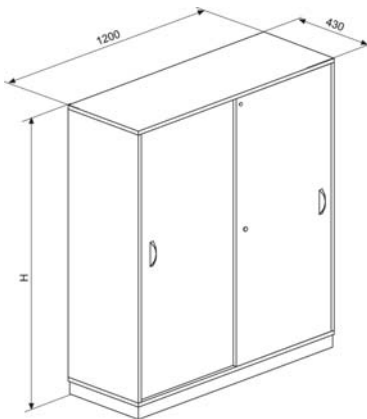
Note

ESD model on request

W	H	D	FH	Model	Order no.	UP
800	772	430	2	with plinth	00.320.001.x	1 unit
800	1352	430	3	with plinth	00.320.002.x	1 unit
800	1292	430	3	stackable cabinet	00.320.026.x	1 unit
800	1484	430	4	with plinth	00.320.003.x	1 unit
800	2064	430	5	with plinth	00.320.004.x	1 unit
1200	772	430	2	with plinth	00.320.005.x	1 unit
1200	1352	430	3	with plinth	00.320.006.x	1 unit
1200	1292	430	3	stackable cabinet	00.320.028.x	1 unit
1200	1484	430	4	with plinth	00.320.007.x	1 unit
1200	2064	430	5	with plinth	00.320.008.x	1 unit



CIC20023



ELI00452

Wall-Standing Cabinet With sliding doors

- Bonded wooden main unit
- Height adjustable with 4 levelling screws
- All cabinets can be locked with cylinder lock
- With a centre panel
- Without plinth and levelling screws with stackable cabinets

Colour

- Final digit of order number .2:
 - Main unit and sliding doors: light-grey
 - Shelves: RAL 7035 light-grey
- Final digit of order number .5:
 - Main unit and shelves: RAL 7021 dark-grey
 - Sliding door: beech finish

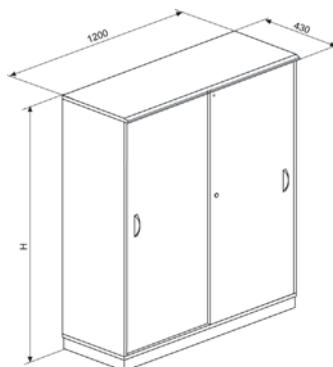
Note

ESD model on request

W	H	D	FH	Model	Order no.	UP
1200	772	430	2	with plinth	00.320.051.x	1 unit
1200	712	430	2	stackable cabinet	00.320.061.x	1 unit
1200	1352	430	3	with plinth	00.320.052.x	1 unit
1200	1292	430	3	stackable cabinet	00.320.062.x	1 unit



CIC20024



ELI20012

Pedestal Cabinet in Workstation Height With sliding doors

- With integrated, ergonomic postformed top
- Bonded wooden main unit
- All 4 levelling screws adjustable with plinth
- All cabinets can be locked with cylinder lock
- With a centre panel
- Optionally with/without plinth

Colour

- Final digit of order number .2:
 - Main unit, sliding doors and postformed top: light-grey
 - Shelves: RAL 7035 light-grey
- Final digit of order number .5:
 - Main unit and shelves: RAL 7021 dark-grey
 - Postformed top and sliding doors: beech finish

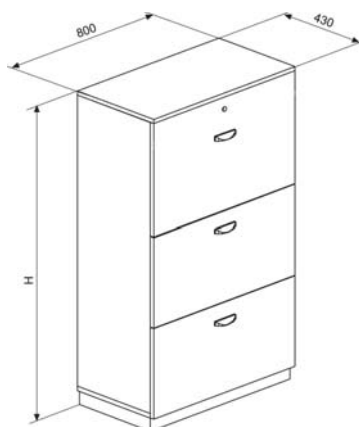
Variants

- Type 1
 - With plinth
- Type 2
 - Without plinth

Note

ESD model on request

W	H	D	FH	Model	Order no.	UP
1200	782	430	2	with plinth	00.320.071.x	1 unit
1200	732	430	2	without plinth	00.320.057.x	1 unit



ELI00450

Wall-Standing Cabinet With suspension frame, with plinth

- Bonded wooden main unit
- Height adjustable with 4 levelling screws
- All cabinets can be locked with cylinder lock

Colour

- Final digit of order number .2:
- Main unit and extension trims: light-grey
 - Suspension frame extensions: RAL 9011 black
- Final digit of order number .5:
- Main unit and shelves: RAL 7021 dark-grey
 - Front trims: beech finish
 - Suspension frame extensions: RAL 9011 black

W	H	D	FH	Model	Order no.	UP
800	772	430	2	with plinth	00.320.151.x	1 unit
800	1352	430	3	with plinth	00.320.152.x	1 unit



CIC20039

Lockable Compartments Cabinet

- Bonded wooden main unit
- Can be adjusted with 4 levelling screws, with plinth
- All compartments can be individually locked with cylinder lock

Material / Finish

Main unit, doors, side panels, bottom covers and rear panels: three-layer particle board, FP/Y E1 version, directly coated, fire protection class B2

Colour

Main unit, doors, side panels, bottom covers and rear panels: light-grey

Standards

DIN 68761 for main unit
EN 438 for coating material

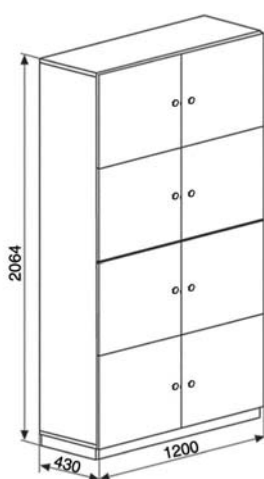
Supply schedule

1 lockable compartments cabinet, individually locking

Note

ESD model on request

W	H	D	FH	Model	Order no.	UP
1200	2064	430		with plinth	00.320.009.2	1 unit



ELI20019

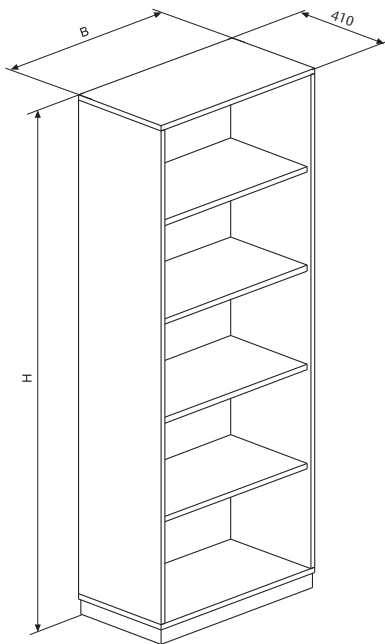
Dimensions in mm: W= Width
H = Height
D = Depth
h = Installation height
d = Useful depth
L = Length

FH = Folder height, min. 325 mm / 12,8"
HU = Standard height unit, 1 HU = 44.45 mm
19" = 482.6 mm, (ideal for 19" components in acc. with DIN 41494)
UP = Unit of packaging
kg = Weight

Conversion: 1 inch = 25,4 mm
1 pound = 453,6 g
Replace „x“ with the number of your color choice



CIC20025



ELI00453

Wall-Standing Shelf Unit

- Bonded wooden main unit
- Can be adjusted with 4 levelling screws, with plinth
- With plinth and adjustable feet
- Without plinth and levelling screws with stackable cabinets

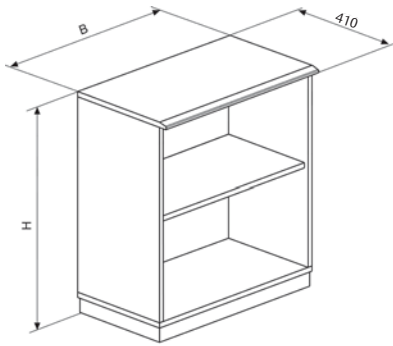
- Colour**
 - Main unit: light-grey
 - Shelf: RAL 7035 light-grey

- Note**
ESD model on request

W	H	D	FH	Model	Order no.	UP
800	712	410	2	stackable cabinet	00.320.225.1	1 unit
800	1352	410	3	with plinth	00.320.202.1	1 unit
800	1292	410	3	stackable cabinet	00.320.226.1	1 unit
800	1484	410	4	with plinth	00.320.203.1	1 unit
800	2064	410	5	with plinth	00.320.204.1	1 unit
1200	772	410	2	with plinth	00.320.205.1	1 unit
1200	712	410	2	stackable cabinet	00.320.227.1	1 unit
1200	1352	410	3	with plinth	00.320.206.1	1 unit
1200	1292	410	3	stackable cabinet	00.320.228.1	1 unit
1200	1484	410	4	with plinth	00.320.207.1	1 unit
1200	2064	410	5	with plinth	00.320.208.1	1 unit



CIC20026



Shelf Unit

At workstation height with postformed top

- With integrated, ergonomic postformed top
- Bonded wooden main unit
- Can be adjusted with 4 levelling screws, with plinth
- Without plinth and without levelling screws

Colour

- Main unit and postformed top: light-grey
- Shelf: RAL 7035 light-grey

Note

ESD model on request

Variants

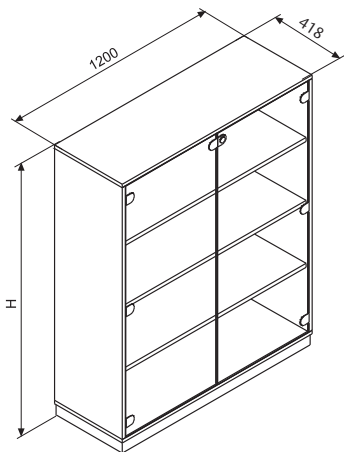
- Type 1
 - With plinth
- Type 2
 - Skids (Without plinth)

W	H	D	FH	Model	Order no.	UP
800	782	410	2	with plinth	00.320.231.1	1 unit
800	732	410	2	with skids	00.320.241.1	1 unit
1200	782	410	2	with plinth	00.320.235.1	1 unit
1200	732	410	2	with skids	00.320.245.1	1 unit

Dimensions in mm: W= Width
H = Height
D = Depth
h = Installation height
d = Useful depth
L = Length

FH = Folder height, min. 325 mm / 12,8"
HU = Standard height
unit, 1 HU = 44.45 mm
19" = 482.6 mm,
(ideal for 19" components
in acc. with DIN 41494)
UP = Unit of packaging
kg = Weight

Conversion: 1 inch = 25,4 mm
1 pound = 453,6 g
Replace „x“ with the number of your
color choice



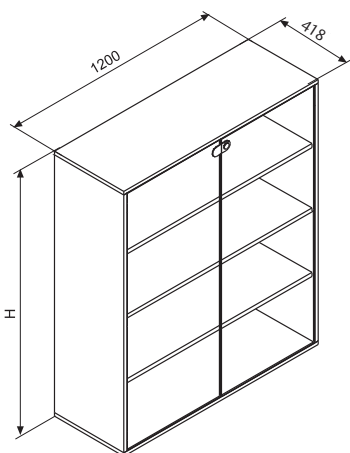
ELI00454

Wall-Standing Instrument Cabinet With glass double doors

- Bonded wooden main unit
- Height adjustable with 4 levelling screws
- All cabinets can be locked with cylinder lock
- With glass double doors
- With plinth

- Colour**
- Final digit of order number .1:
 - Main unit: light-grey
 - Shelf: RAL 7035 light-grey
 - Final digit of order number .9:
 - Main unit and shelves: RAL 7021 dark-grey

W	H	D	FH	Model	Order no.	UP
1200	1352	418	3	with plinth	00.320.301.x	1 unit
1200	1484	418	4	with plinth	00.320.302.x	1 unit
1200	2064	418	5	with plinth	00.320.303.x	1 unit



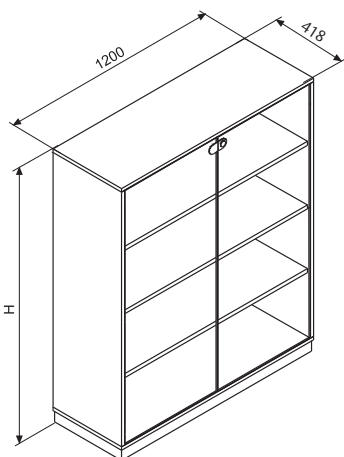
ELI20008

Wall-Standing Instrument Cabinet With glass sliding doors as stackable cabinet

- Can be used as stackable cabinet
- Bonded wooden main unit
- Without plinth and levelling feet
- All cabinets can be locked with cylinder lock
- With glass sliding doors
- With a centre panel

- Farbe**
- Final digit of order number .1:
 - Main unit: light-grey
 - Shelf: RAL 7035 light-grey
 - Final digit of order number .9:
 - Main unit and shelves: RAL 7021 dark-grey

W	H	D	FH	Model	Order no.	VE
1200	712	418	2	stackable cabinet	00.320.361.x	1 unit
1200	1292	418	3	stackable cabinet	00.320.362.x	1 unit



ELI20007

Wall-Standing Instrument Cabinet With glass sliding doors

- Bonded wooden main unit
- Height adjustable with 4 levelling screws
- All cabinets can be locked with cylinderlock
- With glass sliding doors
- Fitted with a centre panel
- With plinth

- Colour**
- Final digit of order number .1:
 - Main unit: light-grey
 - Shelf: RAL 7035 light-grey
 - Final digit of order number .9:
 - Main unit and shelves: RAL 7021 dark-grey

W	H	D	FH	Model	Order no.	UP
1200	772	418	2	with plinth	00.320.351.x	1 unit
1200	1352	418	3	with plinth	00.320.352.x	1 unit

Dimensions in mm: W = Width
 H = Height
 D = Depth
 h = Installation height
 d = Useful depth
 L = Length

FH = Folder height, min. 325 mm / 12,8"
 HU = Standard height unit, 1 HU = 44.45 mm
 19" = 482.6 mm, (ideal for 19" components in acc. with DIN 41494)
 UP = Unit of packaging
 kg = Weight

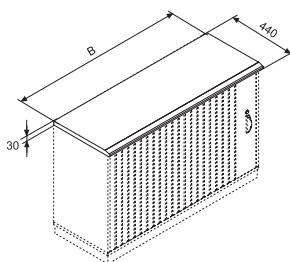
Conversion: 1 inch = 25,4 mm
 1 pound = 453,6 g

Replace „x“ with the number of your color choice



ELI00070

Postformed Top



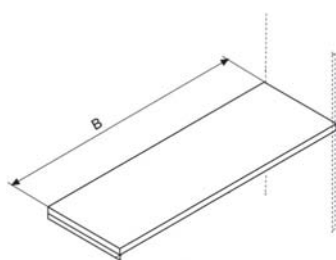
ELI00455

- Three-layer particle board FP/Y E1 version, coated with high pressure plastic laminate sheet, fire protection class B2
- Total thickness, 30 mm

Colour

- Final digit of order number .1:
- RAL 7035, light-grey
- Final digit of order number .5:
- Beech finish

W	H	D	Model	Order no.	UP
800	30	440	for cabinet width 800	00.320.260.x	1 unit
1200	30	440	for cabinet width 1200	00.320.261.x	1 unit



ELI00456

Storage Shelf

For additional installation in cabinet

Material

Sheet steel or high quality chipboard

Colour

- Final digit of order number .1:
- RAL 7035, light-grey
- Final digit of order number .9:
- RAL 7021, dark-grey

Technical data

Load rating 750 N

Supply schedule

Complete with mounting material

W	Model	Order no.	UP
800	for cabinet width 800	00.320.270.x	1 unit
1200	for cabinet width 1200	00.320.271.x	1 unit
1200	for tambour door cabinet	00.320.272.x	1 unit
1200	for sliding door cabinet	00.320.273.x	1 unit



Standard colour scubablue, please ask for further design colours

NEW: Also circular acoustic rear panels available

Partition walls

Partition systems

- Execution in monobloc-design
- Bell-touch- connection, multi-surfaced
- Wall thickness 40 mm
- Frame of aluminium profiles
- Floor distance 70 mm
- Height adjustment to 30 mm
- Screen, fabric covered blue (Scuba)
- Top cover, anodized aluminium
- Velcro, anthracite
- Ground free space = 70 mm
- Filling = fireclass B1
- Ecological standard 100
- 100% recyclable
- No chemicals (as flame retardants) contained

- Sound absorbing
- Sound absorbing according to DIN EN ISO 354

- In the frequencies
125 Hz as 0,12
250 Hz as 0,24
500 Hz as 0,51
1000 Hz as 0,80
2000 Hz as 0,95
4000 Hz as 0,95
aw 0,50H

- Certificate DIN EN ISO 354

Note

- Wall attachment with 2 table top clamps on one side of 30 mm worktop

W	H	Model	Order no.	UP
800	1100	Partition wall	04.303.634.9	1 unit
1000	1100	Partition wall	04.303.635.9	1 unit
1200	1100	Partition wall	04.303.636.9	1 unit
1600	1100	Partition wall	04.303.637.9	1 unit
1800	1100	Partition wall	04.303.638.9	1 unit
2000	1100	Partition wall	04.303.639.9	1 unit
800	1600	Partition wall	04.303.644.9	1 unit
1000	1600	Partition wall	04.303.645.9	1 unit
1200	1600	Partition wall	04.303.646.9	1 unit
1600	1600	Partition wall	04.303.647.9	1 unit
1800	1600	Partition wall	04.303.648.9	1 unit
2000	1600	Partition wall	04.303.649.9	1 unit
800	480	Top wall	04.303.654.9	1 unit
1000	480	Top wall	04.303.655.9	1 unit
1200	480	Top wall	04.303.656.9	1 unit
1600	480	Top wall	04.303.657.9	1 unit
1800	480	Top wall	04.303.658.9	1 unit
2000	480	Top wall	04.303.659.9	1 unit



Feet

Note

Feet RAL 9006 (white aluminium) must be ordered for your individual application purpose.

W	H	D	Model	Order no.	UP
350	6	350	Plate food total	04.303.664.9	1 unit
350	6	210	Plate food half circle	04.303.665.9	1 unit
500	70	60	Stabilizer food	04.303.667.9	1 unit
500	70	60	Stabilizer food with casters	04.303.668.9	1 unit

Standard model Mobile Drawer Unit

Technical data

- Bonded main unit
- All telescopic slides enclosed
- Drawer catch
- Central locking system with exchangeable cylinder
- 1 key as stabilizer

Guides

- 1 OU (50 mm) material tray
Single extension
- 3 OU (150 mm) telescopic slides
Part pull-out
- 6 OU (300 mm) telescopic slides
Full pull-out

Drawer unit model:

- 3 x 150 mm (3 x 3 OU)
or
- 1 x 150 mm, 1 x 300 mm
(3 OU + 6 OU)
- 1 utility tray
- At 300 mm with suspension frame

Material / finish

- Main unit and top cover:
Three-layer particle board, FP/Y E1
version, directly coated, fire pro-

- tection class B2
- Drawer tray:
Sheet steel in black
- Castor diameter, 37 mm

Type 1

- Drawer trims and
drawer handle: Plastic (PS)

Type 2

- Drawer trims in wood version,
conductive, ESD
drawer handle: Plastic (PS)

Type 3

- Drawer trims in wood version,
drawer handle: Metal

Dimensions

- Height, 561 mm
- Depth, 600 or 800 mm
- Width, 435 mm

Colour combination

- Final digit of order number .1:
- Main unit, top cover, drawer trims
and handle: Light gray
- Final digit of order number .2:
- Main unit, top cover and drawer

- trims: Light gray
- Handles: RAL 5003 sapphire blue
- Final digit of order number .5:
- Main unit, drawer trims and handles:
RAL 7021 dark gray
- Top cover: Beech finish

Load rating

- 400 N per twin swivel castor

Standards

- Main unit and top cover: DIN 68765
- EN 438 for high pressure laminate

On request:

- Containers with different locks
and master key
- Other handles and surfaces
available

Supply schedule

- 1 mobile drawer unit, 500 mm
(10 OU)

How supplied

- Assembled



CIC20028



CIC20029

Mobile Drawer Unit in ESD model

Technical data

- Main unit and top cover, conductive three-layer particle board FP/Y E1 version
Directly coated, fire protection class B2
- Drawer trims in wood version, three-layer particle board FP/Y E1 version
Directly coated, fire protection class B2
- Drawer handle, conductive, black (PS)
- Requirements in acc. with EN 61340 and EN 438

Colour

- Main unit and front trims, light gray
- Handles: RAL 9011 black

Trials/tests in acc. with

- IEC 61340-5-1, EN 438 T1 + T2

W	H	D	Model	ESD	Type	Order no.	UP
435	561	600	50-150-150-150		1	00.320.500.x	1 unit
435	561	600	50-150-300		1	00.320.501.x	1 unit
435	561	800	50-150-150-150		1	00.320.502.x	1 unit
435	561	800	50-150-300		1	00.320.503.x	1 unit
435	561	600	50-150-150-150	•	2	01.366.500.1	1 unit
435	561	600	50-150-300	•	2	01.366.501.1	1 unit
435	561	800	50-150-150-150	•	2	01.366.502.1	1 unit
435	561	800	50-150-300	•	2	01.366.503.1	1 unit
435	561	600	50-150-150-150		3	00.320.505.x	1 unit
435	561	600	50-150-300		3	00.320.506.x	1 unit
435	561	800	50-150-150-150		3	00.320.507.x	1 unit
435	561	800	50-150-300		3	00.320.508.x	1 unit



MOB00219

Inclined Tray Set

- For clear and transparent storage of forms and papers in drawers
- With depth 600, up to 5 sections
- With depth 800, up to 7 sections

Material
Plastic

Colour
Black, not ESD

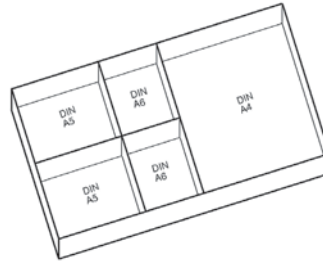
Supply schedule
1 Tray section

Order no.	UP
00.320.539.9	1 unit



ELI00270

Metal Subdivider for Drawers



DAC00006

Material
Plastic

Finish
Black

Note
Subdivisions DIN A 5/DIN A 6 only in conjunction with DIN A 4 divider

Supply schedule
1 unit

Model	Order no.	UP
DIN A 4	00.320.538.9	1 unit
DIN A 5	00.320.537.9	1 unit
DIN A 6	00.320.536.9	1 unit

Dimensions in mm: W= Width
H = Height
D = Depth
h = Installation height
d = Useful depth
L = Length

OU = Office unit (50 mm)
HU = Standard height unit, 1 HU = 44.45 mm
19" = 482.6 mm, (ideal for 19" components in acc. with DIN 41494)
UP = Unit of packaging
kg = Weight

Conversion: 1 inch = 25,4 mm
1 pound = 453,6 g

Replace „x“ with the number of your color choice

Knürr Dacobas® Free-Standing Unit Technical data

- Bonded main unit
 - At 300 mm with suspension frame
 - Guides:
 - 150 mm Telescopic slides
 - Part pull-out
 - 300 mm Telescopic slides
 - Full pull-out
 - All telescopic slides enclosed
 - Drawer catch
 - Central lock system with exchangeable cylinder
 - 1 Key as folding key
- Drawer trims and drawer handle, plastic (PS)
 - Drawer main unit, sheet steel, black

Finish / Colour

- Worktop, covers, front trim and handle: light-grey
- Legs: powder-coated texture, RAL 5008, grey-blue

Colour combination

- Final digit of order number .1
- Light-grey / RAL 5008, grey-blue

Material

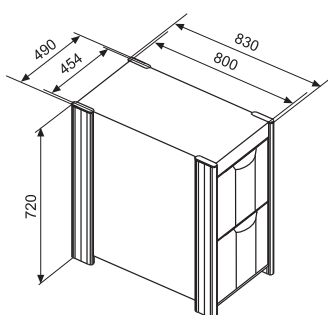
- Sheet steel frame, zinc-passivated
- Extruded aluminium legs
- Worktop and covers, three layer particle board, FP/Y E1 version, fire protection class B2
- Worktop coating
- High-pressure plastic laminate

How supplied

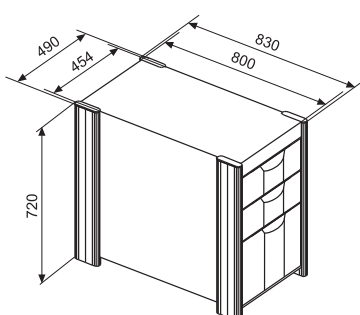
Fully assembled

Knürr Dacobas® Free-Standing Unit

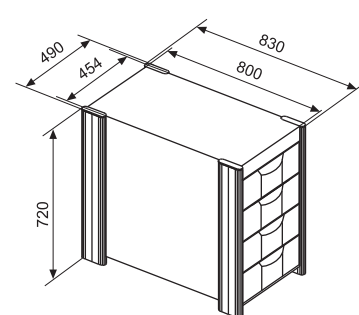
W	H	D	Model	Order no.	UP
			2 x 300	00.320.510.1	1 unit
			2 x 150 + 1 x 300	00.320.511.1	1 unit
			4 x 150	00.320.512.1	1 unit



DAC00275



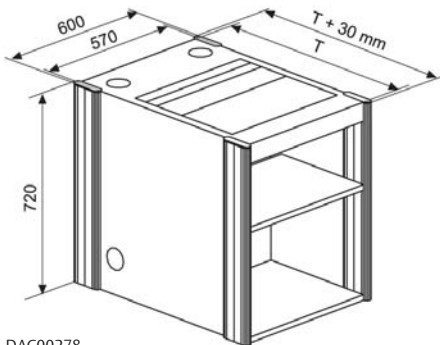
DAC00276



DAC00277



DAC00431



DAC00278

Knürr Dacobas® Printer Stand

Material

- Wooden main unit: bonded, three layer particle board, FP / Y E1 version, fire protection class B2
- Legs: extruded aluminium, powder-coated texture
- Worktop: three layer particle board, fire protection class B2, FP/Y E1, quality DIN68761, coated with high pressure plastic laminate.

Standards

- DIN 68761 for worktops
- EN 438 HGS class for coating material

Supply schedule

- 1 Printer stand

How supplied

- Assembled

Finish / Colour

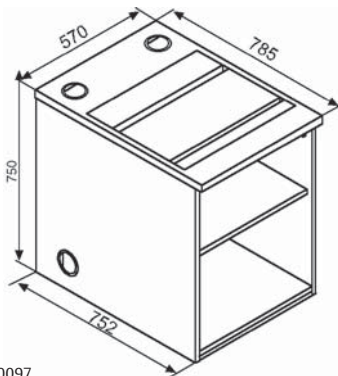
Final digit of order number .1:

- Worktop, wooden covers, coated RAL 7035 light-grey
- Legs, extruded aluminium, powder-coated texture, RAL 5008 grey blue

W	H	D	Model	Order no.	UP
		800	Variant 1	01.311.320.1	1 unit



CIC20036



DAC20097

Printer Stand, Open Model

- Open model
- Worktop with removeable parts for exact setting of printer types
- Integrated paper guide
- With insert panels for printer adjustment
- With fixed paper storage shelf
- With removeable front panel below for access to the cable space
- Removeable rear panel
- Cable entry, top and side

Material / Finish

- Main unit, insert panels, rear panel and worktop: three layer particle board, FP/Y E1 version, directly coated, fire protection class B2

Colour

- Main unit, insert panels, rear panel and worktop, RAL 7035 light-grey

Supply schedule

- 1 Printer stand

How supplied

- Assembled

Note

- ESD version on request

Further solutions on request

W	H	D	Model	Order no.	UP
570	750	785	Printer Stand	01.311.324.1	1 unit
570	750		Printer Stand Door	01.311.325.1	1 unit

Dimensions in mm: W= Width
 H = Height
 D = Depth
 h = Installation height
 d = Useful depth
 L = Length

OU = Office unit (50 mm)
 HU = Standard height unit, 1 HU = 44.45 mm
 19" = 482.6 mm, (ideal for 19" components in acc. with DIN 41494)
 UP = Unit of packaging
 kg = Weight

Conversion: 1 inch = 25,4 mm
 1 pound = 453,6 g

Replace „x“ with the number of your color choice



Printer cabinet

- Printer cabinet
Width 1200 mm
Depth 620 mm
Height 782 mm
- Main unit 610 mm
- With cable routing set D80mm at the rear side of top cover and at the bottom of side board
- Cable routing set left and right hand side in bottom board
- Shortened shelves for cabling through cabinet

Material / finish

- Wooden main unit bonded, three layer particle board, FP/Y E1 version, directly coated, fire protection class B2
- Body, handles: light grey
- Can be adjusted with 4 levelling screws, with plinth
- All cabinets can be locked with cylinder lock
- With a centre panel

Colour

Light-grey

Supply schedule

1 Printer cabinet

How supplied

Pre assembled

W	H	D	Model	Order no.	UP
1200	782	620		00.320.070.1	1 unit



Printer Rack ECO

- Bonded wooden main unit
- Can be adjusted with 4 levelling screws at the bottom board
- With cable routing grommet through top board and bottom for raised floor cabling

Colour

- Main unit and shelf: RAL 7035 light grey
- Top board: RAL 7035 lightgrey with black edge

W	H	D	Order no.	UP
600	750	600	00.320.210.1	1 unit
1200	750	600	00.320.211.1	1 unit



CIC20035

High Desk, Octagonal

- High desk: perfect for discussions with several people on-site
- Octagonal with storage options for folders and equipment
- Bonded main unit

Material / Finish
Worktop, main unit and shelves - three-layer particle board, FP/Y E1 version, directly coated, fire protection class B2

Standards
EN 438 class for coating material

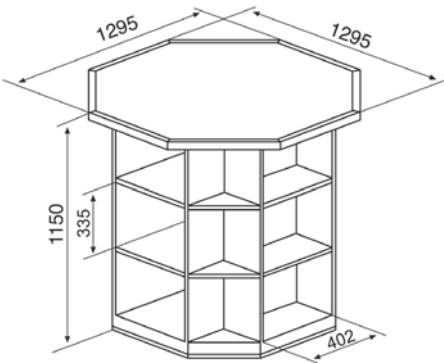
Colour
Worktop, main unit and shelves: light-grey

Supply schedule
1 standing console

How supplied
Assembled

Note
ESD model on request

Further finishes on request!



ELI20031

W	H	D	Model	Order no.	UP
1295	1150	1295		01.315.722.1	1 unit



DAC20189

Dimensions in mm: W= Width
H = Height
D = Depth
h = Installation height
d = Useful depth
L = Length

OU = Office unit (50 mm)
HU = Standard height unit, 1 HU = 44.45 mm
19" = 482.6 mm, (ideal for 19" components in acc. with DIN 41494)
UP = Unit of packaging
kg = Weight

Conversion: 1 inch = 25,4 mm
1 pound = 453,6 g

Replace „x“ with the number of your color choice



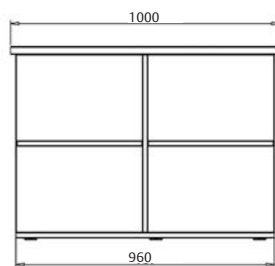
Semicircular Add-on Rack

- Bonded wooden main unit
- Can be adjusted with 4 levelling screws at the bottom board
- Can be used as free-standing version or matched to a console
- Open shelf version or tambour door version available
- Box file height 321,5mm (both compartments)

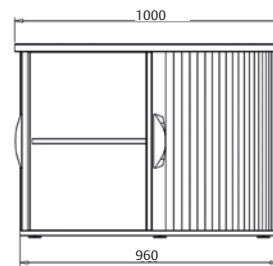
Colour

- Main unit: RAL 7035 light-grey
- Worktop: RAL 7035 light-grey with black edge
- Bottom board: RAL 7021 blackgrey

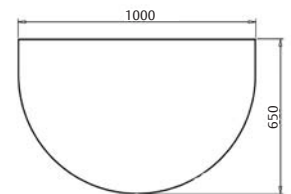
W	H	D	Model	Order no.	UP
650	750	1000	open shelf version	01.315.775.1	1 unit
650	750	1000	tambour door version	01.315.776.1	1 unit



Open shelf version



Tambour door version





Knürr SynergyWall® Strong points

- **Functionality and style:** A product family for uniform equipment and furnishing in the control room in a full-coverage modern design.
- **Spacious cable management** with plenty of space for switches, cables and power supplies. Completely covered from screen through to raised floor.
- **Modular setup** – industrially produced modules can be upgraded and added to at all times; available to buy for many years to come.
- **Application areas for the Knürr SynergyWall®**
 - TV studios, news studios
 - Process display in control rooms, control and measuring stations
 - Network Operation Centers (NOCs)
 - Data centers – computer monitoring
 - Operation control centers – police, fire department, rescue services
 - Municipal traffic monitoring
 - Security systems, video monitoring
 - Airport and train station information terminals
 - Reception areas
- **Practical benefits**
 - Quick and easy to set up
 - Monitor change: Effortlessly without any tools – simply hang on monitors!
 - Highest possible stability, even with large span widths
 - For all monitor sizes; different sizes can also be mixed
 - Straight wall or cockpit solution (10°)
 - Low installation depth/lower space requirement – good fit for small control rooms
Option: Without foot stabilizer at the rear
 - The monitor wall can be positioned in the room, regardless of what the room is made of
 - Optional rear and front panel covers provide optimum protection for cables and plugs
 - Optional pedestals provide space for computers, power supplies and documentation
 - Extension option with short cross extrusion for additional displays
 - Monitors can swivel up to 15° in four positions

Dimensions in mm: W= Width
H = Height
D = Depth
h = Installation height
d = Useful depth
L = Length

HU = Standard height unit, 1 HU = 44.45 mm
19" = 482.6 mm, (ideal for 19" components in acc. with DIN 41494)
UP = Unit of packaging
kg = Weight

Conversion: 1 inch = 25,4 mm
1 pound = 453,6 g

Replace „x“ with the number of your color choice



Knürr SynergyWall® complete configuration

A complete configuration with four public displays – 1,016 mm (40")
Ready configured for immediate use

Material

- Side panels – extruded aluminum with top cover, sheet steel side panel covers and foot stabilizer, powder-coated
- Crosspieces – extruded aluminum, powder-coated
- Large monitor holder – sheet steel, powder-coated

Finish

- Side panel aluminum extrusions, cross extrusions and large monitor holder: RAL 9006 white aluminum
- Side panel covers, foot stabilizer and side panel top cover: RAL 7021 dark gray

Dimensions

- Total width – 2,110 mm
- Depth over all – 1246 mm
- Clear width – 1,890 mm
- Side panel: height, 2,400 mm; depth, 290 mm; width, 107 mm

Supply schedule

- 2 side panels, with integrated vertical cable routing and foot stabilizers front and rear for highest possible stability
- 2 crosspieces for fixing the TFT adapter; with integrated horizontal cable routing
- 8 large monitor holders, tiltable to 15°
- 4 public displays, LCD, 1,016 mm (40")
(Make: Subject to manufacturer and technical changes due to short product cycles on the display market.)

Network cable and VGA cable for 4 LCD monitors

Mounting material

How supplied

Flat-packed kit, partially assembled

W	H	Order no.	UP
2110	2400	04.102.030.9	



Knürr SynergyWall® Basic Frame

- Easy flat screen mounting between the monitor wall vertical extrusions
- Stable monitor hang-on with adjustable angle flat screen holders

Material

- Side panels – extruded aluminum with top cover, sheet steel side panel covers and foot stabilizer, powder-coated
- Crosspieces – extruded aluminum, powder-coated
- Large monitor holder – sheet steel, powder-coated

Finish

- Side panel aluminum extrusions, cross extrusions and large monitor holder: RAL 9006 white aluminum
- Side panel covers, foot stabilizer and side panel top cover: RAL 7021 dark gray

Dimensions

- Total width – 2,110 mm
- Depth over all – 1246 mm
- Clear width – 1,890 mm
- Side panel: height, 2,400 mm; depth, 290 mm, width, 107 mm

Note

Further sizes and variations possible on request

Supply schedule

- 2 side panels, with integrated vertical cable routing and foot stabilizers front and rear for highest possible stability
 - 2 crosspieces for fixing the TFT adapter; with integrated horizontal cable routing
 - 8 large monitor holders, for four public displays, 1,016 mm (40"), tiltable to 15° in four positions
- Mounting material

How supplied

Flat-packed kit, partially assembled

W	H	Order no.	UP
2110	2400	04.102.032.9	



Knürr SynergyWall® Leg

- Design harmonized with Knürr SynergyConsole®
- Spacious cable management with plenty of space for switches, cables and power supplies
- Economically integrated cable routing
- Split covers inside for easy cable routing; full on the outside
- Long foot stabilizer for freely placing the panel in the room, or without foot stabilizer at the rear for wall positioning
- T-slots outside for connecting cross supports and inside for mounting Knürr DI-Strip® socket strips and cable routing elements

- Material**
 - Extruded aluminum, powder-coated
 - Covers and foot stabilizer: Sheet steel, powder-coated

- Finish**
 - Extruded aluminum, RAL 9006 white aluminum
 - Sheet steel components, RAL 7021 dark gray
- Dimensions**
 - Height, 2,400 mm
 - Width, 107 mm
 - Depth, 290 mm
 - Foot stabilizer: Depth 1,200 mm or 600 mm
 - Width, 129 mm

- Supply schedule**
 - 1 side panel

- How supplied**
 - Preassembled

W	H		Order no.	UP
107	2400	Leg with front and rear foot	04.102.035.9	1 unit
107	2400	Leg with rear foot	04.102.036.9	1 unit
107	2400	Link-up leg	04.102.037.9	1 unit



SYN20022

Knürr SynergyWall® Cross Support

- For straight linking or in 10° angle
- Extruded aluminum stable cross support
- Depth-adjustable for optimum monitor arrangement
- Spacious cable management with plenty of space for switches, cables and power supplies
- Economical cable routing integrated in the cross support
- With T-slots for mounting Knürr DI-STRIP® socket strips and cable routing elements
- New: Short, stable cross extrusion, for small displays
- Internal or external on the side panels, and depth adjustable.

- Material**
 - Cross extrusion: Extruded aluminum, powder-coated
 - Adapter plates – aluminum, powder-coated

- Finish**
 - RAL 9006 white aluminum
- Dimensions**
 - Height: 120 mm
 - External depth: 60 mm
 - Width: 1,900 mm, for 2 displays 1,016 mm (40")
- Supply schedule**
 - 1 cross extrusion
 - 2 adapter plates for connecting on the side panels
 - Cross support length – 400 mm:
 - 1 adapter plate, 1 closing panel
 - Mounting material
- How supplied**
 - Flat-packed kit



SYN20016

W	H	D		Order no.	UP
1900	120	60	Complete cross support, straight	04.102.040.9	1 unit
1900	120	60	Complete cross support, 10° linking	04.102.041.9	1 unit
400	120	60	Cross support, short	04.102.042.9	1 unit



SYN20018



SYN20017

Knürr SynergyWall® Monitor Holder

- VESA adapter, quick and easy to hang on
- With safety screws against unintentional removal
- Screw on to the monitor – hang on – done!
- Angle adjustable up to 15° in three stages

Material/finish
Sheet steel, powder-coated

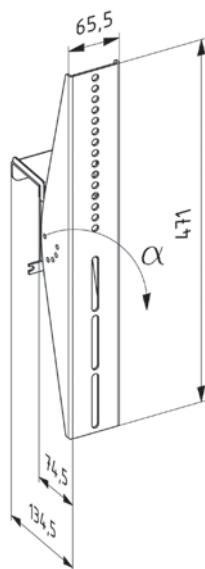
Finish
RAL 9006 white aluminum

Supply schedule
1 monitor holder
Mounting material

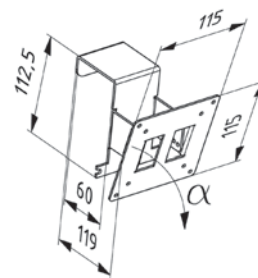
How supplied
Pre-assembled

Note
Large monitor holder: For display sizes 762 mm (30") to 1,651 mm (65")
Two monitor holders are required for each display
Small monitor holder: With VESA adapter 75 mm/100 mm

	Order no.	UP
Large monitor holder	04.102.038.9	1 unit
Small monitor holder	04.102.039.9	1 unit



SYN20098



SYN20099



ERG20060

Situation and Conference Desk as one unit

- Monitors can be manually tilted via the increment stop function, and must always be folded away for the functional unit's park position
- Cabling is via chain link-ups in the technical pedestal
- Master position is pre-programmed to three heights
- The control units are at the front on the right under the worktop levels

Dimensions in mm: W = Width
H = Height
D = Depth
h = Installation height
d = Useful depth
L = Length

HU = Standard height unit, 1 HU = 44.45 mm
19" = 482.6 mm, (ideal for 19" components in acc. with DIN 41494)
UP = Unit of packaging
kg = Weight

Conversion: 1 inch = 25,4 mm
1 pound = 453,6 g

Replace „x“ with the number of your color choice



ERG20059

Media Wall

Media Wall with integrated monitors, cabinets and storage options; matches the overall room concept

Sliding Boards

10 sliding boards in magnetic model for maps and situation plans
Additional cabinets, storage option and integrated flat screen



Note
Further solutions on request

INFO

More information on efficient shelving,
storing and transportation:
www.technical-furniture.com



Dimensions in mm: W = Width
H = Height
D = Depth
h = Installation height
d = Useful depth
L = Length

HU = Standard height
unit, 1 HU = 44.45 mm
19" = 482.6 mm,
(ideal for 19" components
in acc. with DIN 41494)
UP = Unit of packaging
kg = Weight

Conversion: 1 inch = 25,4 mm
1 pound = 453,6 g
Replace „x“ with the number of your
color choice



Chairs

27 to 34



Chairs

Control Station Chairs

Secur 24 Basic	28
Axia Focus 24/7	29
AXIA Plus 24/7	29
24/7 RecaroGuard L	30
24/7 Save Three	30
Mr. 24	31
Black dot 24h	31

black dot Cantilever

Chair Product Line	32
--------------------	----

black dot net

Chair Product Line	32
--------------------	----

Sit/Stand Chair Smile

Chair Product Line	33
--------------------	----

Yeah

Chair Product Line	34
--------------------	----

Control Room Chair Secur 24 Basic 24/7, head rest, Flip-Up arm rests, heavy duty

- Comfortable automotive seat
- Maximum load: up to 234 kg (515lbs.)
- Height adjustable and tiltable comfort head rest, Protective cover included
- Mechanical lumbar support
- Flip-Up arm rests – Tilttable and fold away
- Compressed gas main spring with end point cushion
- Seating height ambidextrously adjustable 41 – 53 cm
- Extra large 71 cm anti tip cast aluminium castor base
- 65 mm (2,55“) heavy duty castors
- Specially designed tilting mechanism, adjustable below front edge of the seat 45 – 150 kg (99-331 lbs.)
- Combination of black automotive synthetic leather and „Staccato“ fabric (black) 1.5 mio. cycles (Martindale)
- Easily adjustably grace to fully ambidextrous controls
- Ambidextrous back rest adjustment knob and maximum lean back angle

■ Dimensions

- Seat width 510 mm
- Max. seat depth 480 mm
- Back rest width 480mm
- Back rest height 600mm

■ Material

- Fabric: „Staccato“ (black)
- Black automotive synthetic leather 1.5 mio. cycles (Martindale)
- Castor base: Polished cast metal

■ Colour

- Fabric: black
- Castor base: Polished cast metal

■ Supply schedule

- 1 control room chair

■ How supplied

- Preassembled

■ Please note:

- Many other configurations available on request:
- Hard castors for carpet surfaces
- Further fabric or leather paddings on request
- Protective cover for head rest
- 6-way comfort head rest
- 10 cm sliding seat
- All leather
- Siped back rest
- Chrome plated coat hanger

Model	Description	Order no.	UP
Secur 24 Basic	With Flip-up arm rests	00.350.078.9	1 unit





Control Room Chair AXIA Plus 24/7 24/7, head rest, arm rest, clip-on padding

- For 24/7 use in control and surveillance rooms and emergency centers
- Maximum load: up to 170kg (375 lbs.)
- Seating depth ambidextrously adjustable 38 - 48 cm
- Height of back rest adjustable by 6 cm
- Seating height ambidextrously adjustable 39 - 52 cm
- Load Adjustment 40-150 kg (88 – 330lbs.) below front edge of the seat
- Height of arm rests adjustable 20 – 31 cm
- Fabric „Staccato“ (black) 1.5 mio. cycles (Martindale)
- Adjustable head rest, protective cover included
- Axia 24/7 features a back rest that tilts synchronously to the seating for best pelvic support while maintaining the angle between seat and back rest
- Easily adjustable head rest for extra head support when working with multi story monitor setups
- Arm rests move with the seat in order to give full support also when leaning back

■ Dimensions

- Seat width 515 mm
- Max. seat depth 485 mm
- Back rest width 485 mm
- Back rest height 510 mm

■ Material

- Fabric: „Staccato“ (black) 1.5 mio. cycles (Martindale)

■ Colour

- Fabric: black
- Castor base: Polished cast metal

■ Supply schedule

- 1 control room chair

■ How supplied

- Preassembled

■ Please note:

- Many other configurations available on request:
 - Hard castors for carpet surfaces
 - Further fabric or leather paddings on request
 - All leather
 - Additional pneumatic lumbar support
 - Extra large multi arm rests in black leather

Model	Description	Order no.	UP
AXIA Plus 24/7	With arm rests	00.350.079.9	1 unit



Control room chair Axia Focus 24/7 24/7, head rest, Flip-Up arm rests, heavy duty

- For 24/7 use in control and surveillance rooms and emergency centers
- Maximum load: up to 234 kg (515lbs.)
- Seating depth ambidextrously adjustable 38 - 48 cm
- Seating height ambidextrously adjustable 39 - 52 cm
- Load Adjustment 40-150 kg (88 – 330lbs.) below front edge of the seat
- Flip-Up arm rests – Tiltable and fold away
- Combination of black leather and fabric „Staccato“ (black) 1.5 mio. cycles (Martindale)
- Adjustable head rest, protective cover included
- Focus 24/7 features a back rest that tilts synchronously to the seating for best pelvic support while maintaining the angle between seat and back rest
- Easily adjustable head rest for extra head support when working with multi story monitor setups
- Back rest with integrated central lumbar support

■ Material

- Fabric: „Staccato“ (black) Black leather 1.5 mio. cycles (Martindale)

■ Colour

- Fabric: black
- Castor base: Polished cast metal

■ Supply schedule

- 1 control room chair

■ How supplied

- Preassembled

■ Please note:

- Many other configurations available on request:
 - Hard castors for carpet surfaces
 - Further fabric or leather paddings on request
 - All leather
 - Extra large multi arm rests in black leather
 - Protective side padding to prevent wear caused by holstered sidearm

- ### ■ Dimensions
- Seat width 505mm
 - Max. seat depth 485 mm
 - Back rest width 425mm
 - Back rest height 705mm

Model	Description	Order no.	UP
AXIA Focus 24/7	With Flip-up arm rests	00.350.060.9	1 unit

Dimensions in mm: W= Width
H = Height
D = Depth
h = Installation height
d = Useful depth
L = Length

HU = Standard height unit, 1 HU = 44.45 mm
19" = 482.6 mm, (ideal for 19" components in acc. with DIN 41494)
UP = Unit of packaging
kg = Weight

Conversion: 1 inch = 25,4 mm
1 pound = 453,6 g

Replace „x“ with the number of your color choice



Control Room Chair – Swivel Chair 24/7 RECARO Guard L

- For 24/7 use in Control and Surveillance Rooms, Emergency Centers and ATC/ATM
- Height adjustable and tiltable head rest
- Double chamber lumbal support
- Frame and padding made from heavy duty materials
- Tilttable flip-up arm rests
- Tested for maximum load
- Ambidextrous handle for backrest angle
- Ergonomic padding for maximum seating comfort
- Heavy duty Free Tilt mechanism, lockable in 3 positions
- Individually adjustable to user weight (ca. 60 - 130 kg / 130 – 285 lbs.)
- Extra strong gas spring for height adjustment
- Extra large castor base for best stability
- Adjustable thigh support
- Soft castors for hard surfaces
- GS certified
- British Standard

- Width and depth of seat 550 x 560 mm
- Width and depth of arm rests 74 x 324 mm
- Height adjustment of headrest 0 – 80 mm
- Tilting of headrest 0 – 35°

- Material**
Seat and backrest: Faux leather
- Colour**
Fabric / leather: Black
Castor base: Polished aluminium
- Supply schedule**
1 Control Room Swivel Chair 24/7 RECARO Guard L
1 Protective Cover for head rest
- How supplied**
Assembled
- Please note:**
- Hard castors for carpet surfaces available

- Technical Data**
- Width and height of backrest 520 x 620 mm

Model	Order no.	UP
Control Room Chair 24/7 RECARO Guard L	00.350.072.1	1 unit



Control Room Chair – Swivel Chair 24/7 Save Three

- For 24/7 use in Control and Surveillance Rooms, Emergency Centers and ATC/ATM
- Comfortable ergonomic padding
- Full leather lateral flanges, breathing and moisture regulating fabric center liner
- Height adjustable and tiltable head rest
- Backrest adjustable 0°-16°
- Heavy duty, lockable Free Tilt mechanism
- Individual adjustment to user weight
- Extra large castor base for best stability
- Extra strong gas spring for height adjustment
- Gas main spring with end point cushioning
- Allows for dynamic as well as steady seating
- 10 cm (4") wide tiltable flip-up arm rests
- Inflatable lumbal support in the lower back area
- Soft castors for hard surfaces

- Width and depth of seat 520 x 520 mm
- Width and height of headrest 280 x 170 mm
- Width and depth of arm rests 80 x 350 mm

- Material**
Seat and backrest: Leather Fabric Camira
- Colour**
Fabric / leather: Black
Castor base: Polished aluminium
- Supply schedule**
1 Control Room Chair Save three
1 Protective Cover for head rest
- How supplied**
Assembled
- Please note:**
- Hard castors for carpet surfaces available

- Technical Data**
- Width and height of backrest 490 x 650 mm

Model	Order no.	UP
Control Room Chair 24/7 Save Three	00.350.070.1	1 unit

Dimensions in mm: W= Width
H = Height
D = Depth
h = Installation height
d = Useful depth
L = Length

HU = Standard height unit, 1 HU = 44.45 mm
19" = 482.6 mm, (ideal for 19" components in acc. with DIN 41494)
UP = Unit of packaging
kg = Weight

Conversion: 1 inch = 25,4 mm
1 pound = 453,6 g

Replace „x“ with the number of your color choice

Provided for use with the kind permission of Sedus Stoll AG. Unauthorised use is prohibited.



24/7 Control Room Chair Mr. 24

- Our top selling Control Room Chair
- Generous seat and backrest for maximum comfort
- Long backrest with integrated adjustable lumbar support, Similarmechanic opens up to 32° and stepless adjustment of back leaning angle - Adjustable sliding seat allows for adaption to individual leg length
- Height adjustable black leather head rest
- Seat and back rest tilt synchronously to body movement
- Individual main spring adjustment for different user weights
- Permanent dorsal support also when leaning all the way back
- Sedo-Lift-Mechanic for best cushioning also in lowest seating position
- Extra robust arm rest for 24/7 use
- Soft castors for hard surfaces
- GS approved
- British Standard approved
- Seating width and depth: 470 x 400 mm
- Height adjustment of head rest: 50 mm
- Neck rest width and height: 360 x 150 mm
- Similarmechanic suitable for up to persons of up to 200 kg / 440lbs.
- Max. back rest tilt: 32°
- Seat height adjustment: 420 – 515 mm
- Arm rest height adjustment: 190 – 300 mm
- Arm rest width adjustment: 2 x 50 mm
- Arm rest depth adjustment: 80 mm

Material

- Set 2G8 black 72%CraduraTM, 16% new wool, 12% Cellulose
- 150.000 cycles (Martindale)
- DIN EN 1021-1/2

Colour

- Fabric: black
- Castor base: black

Supply schedule

- 1 Control Room Chair

How supplied

- Pre assembled

Please note:

- Hard castors for carpet surfaces available
- Many other configurations available on request

Model	Order no.	UP
Mr. 24h, black fabric, armrests, head rest	00.350.073.9	1 unit
Protective cover for head rest	00.350.074.9	1 unit



24/7 Control Room chair black dot 24h

- Proven Control Room Chair for dynamic seating
- Suitable for users up to 150 kg / 325lbs.
- Similarmechanic with heavy duty springs
- Integrated sliding seat (seat depth adjustable 400 to 460 mm)
- Comfortable, reinforced seat padding, Seating width max. 495 mm
- Height adjustable lumbar support
- Sedo-Lift-Mechanic (390 to 520 mm seat height),
- Black aluminium cast castor base
- Similarmechanic with adjustable springs
- Sedo-Lift-Mechanic
- Back rest with black net fabric
- 3-D softtouch armrests
- Height adjustable black leather head rest
- Soft castors for hard surfaces

Material

- Set 2G8 black 72%CraduraTM, 16% new wool, 12% Cellulose
- 150.000 cycles (Martindale)
- DIN EN 1021-1/2

Colour

- Fabric: black
- Castor base: black

Supply schedule

- 1 Control Room Chair

How supplied

- Pre assembled

Please note:

- Hard castors for carpet surfaces available
- Many other configurations available on request

Model	Order no.	UP
black dot 24h, black net fabric, arm rests, head rest	00.350.031.9	1 unit



Visitor's chair black dot Cantilever

- Aesthetic visitor's chair for conference rooms and reception areas
- Stackable
- Black cantilever frame
- Robust Ø 25 mm / 1" steel pipe
- Plastic skids
- Plastic arm rests

- Material**
 - Set 2G8 black 72%CraduraTM, 16% new wool, 12% Cellulose
 - 150.000 cycles (Martindale)
 - DIN EN 1021-1/2

- Colour**
 - Fabric: black
 - Cantilever frame: black

- Supply schedule**
 - 1 Visitor's Chair

- How supplied**
 - Pre assembled

- Please note:**
 - Felt skids are available for glossy surfaces
 - Many other configurations available on request

Model	Order no.	UP
black dot Cantilever with armrests, stackable, black	00.350.032.9	1 unit



Swivel chair black dot net, long back rest

- Classic swivel chair with long net fabric back rest. Fits into offices and control rooms
- Stepless adjustable and lockable back rest
- Integrated sliding seat
- Black aluminium cast castor base
- Similarmechanic with adjustable springs
- Compressed gas main spring
- Colour scheme: black
- 3-D softtouch armrests
- Integrated height adjustable lumbal support
- Soft castors for hard surfaces

- Material**
 - Set 2G8 black 72%CraduraTM, 16% new wool, 12% Cellulose
 - 150.000 cycles (Martindale)
 - DIN EN 1021-1/2

- Colour**
 - Fabric: black
 - Castor base: black

- Supply schedule**
 - 1 Swivel Chair

- How supplied**
 - Pre assembled

- Please note:**
 - Hard castors for carpet surfaces available
 - Many other configurations available on request

Model	Order no.	UP
black dot net with arm rests, long back rest, black	00.350.033.9	1 unit

Dimensions in mm: W= Width
 H = Height
 D = Depth
 h = Installation height
 d = Useful depth
 L = Length

HU = Standard height unit, 1 HU = 44.45 mm
 19" = 482.6 mm, (ideal for 19" components in acc. with DIN 41494)
 UP = Unit of packaging
 kg = Weight

Conversion: 1 inch = 25,4 mm
 1 pound = 453,6 g

Replace „x“ with the number of your color choice

Provided for use with the kind permission of Sedus Stoll AG. Unauthorised use is prohibited.



Sit/Stand Chair Smile

Intelligent and compact sit/stand chair. Smile facilitates to work the main part of the day while standing.

- 12-step mechanical height adjustment
- Seating height 650 - 870 mm
- Aluminium locking knob
- Extruded aluminium main stand
- Padded seat
- Folding steel front stand
- Total Weight: 4 kg

■ **Material**
Black microfiber 09L

■ **Colour**

- Fabric: black
- Foot and front stand: black
- Main stand: aluminium, natural hard anodized

■ **Supply schedule**
1 Sit/stand chair

■ **How supplied**
Assembled

■ **Please note:**
Other configurations available on request

Model	Order no.	UP
Sit/stand chair Smile, black	00.350.034.9	1 unit



DAC80001

Yeah

Yeah With/without armrest, optional ESD

- Ergonomic and durable standard chairs for office, control room, electronics workstations and conference room.
- Back rests counter force is smoothly adjustable
- Height adjustable back rest (80mm), lockable in 3 positions
- Durable plastic castor base
- Similarmechanic with quick adjustable springs
- Compressed gas main spring
- 3-D softtouch armrests
- Soft castors for hard surfaces

Colour

Fabric: black
Castor base: black

Supply schedule

1 Control Room Chair

How supplied

Assembled

Please note:

- Hard castors for carpet surfaces available
- Many other configurations available on request

Material

- New wool Fame F60999 black
200.000 cycles (Martindale)
DIN 4102: B2 (normal flammability)
- ESD version:
Gaja Antistatic black 2A1
100% new wool
50.000 cycles (Martindale)
DIN 4102: B2 (normal flammability)



DAC80002

Yeah long back rest

Type	Model	Order no.	UP
Swivel chair Yeah	With arm rests	00.350.040.9	1 unit
Swivel chair Yeah	Without arm rests	00.350.041.9	1 unit
Swivel chair Yeah	With arm rests, ESD	00.350.042.9	1 unit
Swivel chair Yeah	Without arm rests, ESD	00.350.043.9	1 unit
Swivel chair Yeah	With arm rests, long back rest, ESD	00.350.045.9	1 unit
Swivel chair Yeah	With arm rests, long back rest	00.350.046.9	1 unit
Visitor's chair Yeah	Without arm rests, stackable	00.350.047.9	1 unit



DAC80003

Yeah visitor's chair

Dimensions in mm: W= Width
H = Height
D = Depth
h = Installation height
d = Useful depth
L = Length

HU = Standard height unit, 1 HU = 44.45 mm
19" = 482.6 mm, (ideal for 19" components in acc. with DIN 41494)
UP = Unit of packaging
kg = Weight

Conversion: 1 inch = 25,4 mm
1 pound = 453,6 g

Replace „x“ with the number of your color choice

Provided for use with the kind permission of Sedus Stoll AG. Unauthorised use is prohibited.

System Lamps

35 to 40



System Lamps

Products

Mounting Adaptors for Lamps	36
„Mach LED“ Büro und EDV – Workstation Lamp “Diva”	37
“Tycoon” Stand Lamp	38
“Minela” LED Workstation Lamp	38
„Minela Flex“	39
Luminestra Rack Lamp	39
Workplace System „Taneo“	40
“Minela” LED Workstation Lamp	40

Mounting Adaptors for Lamps

Important information

Our workstation lamps are supplied as standard with a universal adapter. Please order the corresponding adapter for the respective piece of Knürr furniture for your lamps.

Versions

- Functional rail for Installation on functional rails as used with Ergocon, Elicon or Dacobas
- Dacobas Type 1 for front end installation on Dacobas profiles
- Dacobas Type 2 for lateral installation on Dacobas profiles at any height

- Elicon Type 1 for front end installation on Elicon profiles
- Elicon Type 2 for lateral installation on Elicon profiles at any height

Supply schedule

1 Adaptor
Mounting material

Colour/Surfaces

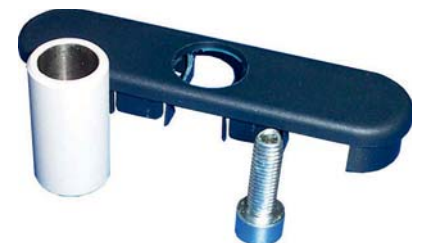
Plastic / Aluminium powder coated
RAL 7035 light grey
RAL 7021 dark grey
RAL 5008 grey blue

See also below table

System	Type	Colour	Order no.	UP
Functional rail		RAL 9006 white aluminium	01.316.225.9	1 Satz
Dacobas	1	RAL 5008 grey blue	00.350.156.1	1 Satz
Dacobas	2	RAL 7021 dark grey	01.300.960.9	1 Satz
Elicon	1		00.351.031.7	1 Satz
Elicon	2	RAL 7035 light grey	00.350.157.1	1 Satz
Elicon	2	RAL 7021 dark grey	00.350.157.9	1 Satz



Functional rail



Dacobas Type 1



Elicon Type 1



Dacobas/Elicon Type 2



DAC20095

Office and EDP - Workstation Lamp "Diva"

Technical data

- Compact fluorescent tube, 11 watt
- Coated parabolic grid in luminaire head prevents direct or reflected glare
- Supply voltage, 230-240V/50/60 Hz
- Electronic series reactor
- Joints, spring relieved
- Luminaire head and lamp rods/bars: aluminium extrusion, anodised

Dimensions

- Column 475 mm
- Arm 396 mm
- Luminaire head: Diameter 68x386 mm
- Mains cable, approx. 3 m, Euro plug

Colour

- Rods/bars: aluminium colours, anodised
- Housing: aluminium colours, anodised

Supply schedule

- 1 Workstation lamp
- 1 Universal adaptor black

Note

For installation with Dacobas or Elicon profile please also order corresponding Mounting Adaptor (see p.36)

Order no.	UP
00.350.158.9	1 unit



Minela Flex

This luminaire thinks for itself, switching off automatically after 14 hours and therefore preventing unnecessary power consumption. The LED luminaire also features cleverly designed thermal management, which ensures high energy efficiency, longer service life and less heating up of the luminaire head.

- Light and easy to adjust to your individual position
- Switch-off and dimming with a light touch of the touch-LED
- Intelligent Auto-Off function reduces power consumption
- Maintenance-free LED technology with a service life of up to 50,000 hours and more

Technical data

- 1 x HIGH POWER LED
- Color temperature neutral white 4,000 K
- Light control via reflector

- Colorless anodized aluminum housing, acrylic screen
- Metal flexible tube for at least 20,000 movements
- Illuminated touch-LED integrated in the luminaire head for On / Off and dimming
- System of protection IP20; class of protection II
- Supplied with 2.5 m mains lead and with mains plug type CEE 7 / 16 (Euro plug), BS 1363 and NEMA 1-15P
- Various fastenings as accessories

Colour

Aluminium anodized

Supply schedule

1 Minela flex
(Please always order mounting adapter of choice, see page 36)

Picture: Herbert Waldmann GmbH & Co. KG

Order no.	UP
00.350.165.9	1 unit



SAM20051

"Minela" LED Workstation Lamp

Technical data

- 5 W high-power multi-chip LED
- Supply voltage: 100 - 240 V / 50/60 Hz
- Dimmable

Dimensions

- Mains cable, approx. 2.3 m
- Column, 221 mm
- Arm, 531 mm
- Luminaire head: 154x59x21 mm

Colour

White

Supply schedule

1 universal lamp
(Please always order mounting adapter of choice, see page 36)

Order no.	UP
00.350.161.1	1 unit

Workstation lamp Taneo



Technical data

- Fitted with: 24 x Light-emitting diode light colour neutral white, 3800-4300 K, Color Rendering Index (CRI)=80
- Work equipment: electronic transformer
- Connected load: 100-240 V; 50/60 Hz
- Power consumption: approx. 31 W
- Glare-free: conical prismatic screen
- System of protection: IP 20
- Class of protection: II
- Usage: multi-function switch
- Luminaire body: material sectional aluminium surface anodised colour aluminium coloured anodised

- Lamp cover: acrylic clear
- Tubular sections: material tubular aluminium section surface anodized Form tubular section upright colour aluminium coloured anodised
- Balance of articulation joints: spring
- Weight (net): approx. 1.9 kg
- Mains lead: approx. 3.3 m; mains plug CEE 7/XVI
- Fastening: screw-down flange,

Supply schedule

1 Taneo

Please note

(Please always order mounting adapter of choice, see page 36)

Picture: Herbert Waldmann GmbH & Co. KG

Order no.	UP
00.350.167.9	1 unit

LED Magnifier Lamp „Tevisio“



Technical data

- Equipped with: 48 x LED, neutral white
- 3700 - 4200 K, colour rendition index (CRI) 90
- Electronic transformer plug
- Mains: 100-240V; 50/60 Hz
- Power consumption: ca. 14 W
- Degree of protection: IP 20
- Protection class II
- Continuous dimming
- Multi-function switch
- Net weight: ca. 2.7kg
- BS 1363, CEE7/XVI, NEMA 1-15P
- Mounting: mounting flange, base
- Lense: 3,5 diopters

Dimensions

- Diam. magnifier lens: D160 mm
- Mains cable: ca. 3,4 m Schuko type plug

Material

- Magnifier lens: glas

Colour/Surfaces

- Housing:
 - ABS, black
 - Cover:
 - Polyamide, matte (PA)
 - Swivel arm:
 - Extruded aluminium profile, clear anodized

How supplied

1 LED magnifier lamp

Picture: Herbert Waldmann GmbH & Co. KG

Order no.	UP
00.350.155.1	1 unit

Luminestra Rack Lamp



- With 13 watt fluorescent tube
- With on/off rocker switch
- With 2 m mains cable and "SCHUKO" plug
- Complete mounting material

- Colour**
White

Supply schedule

1 Luminestra rack lamp
2 Mounting brackets
Mounting material

ELM00058

W	H	D	Order no.	UP
65	65	365	01.131.227.9	1 unit



DAC20190

“Tycoon” Stand Lamp

Technical data

- 4x55 watt compact fluorescent lamps
- Power consumption: Approx. 235 watt
- Weight: Approx. 19.8 kg
- Base, free-standing
- Connection: Safety plug, approx. 3.0 m
- Supply voltage: 230–240 V / 50/60 Hz
- Light distribution: Mostly indirect
- Luminaire head can be rotated by 90°
- Head connection can be rotated by 45°
- Reflector removable, for easy cleaning
- Lamp base: C-shaped, flat
- Switch: Multifunctional switch
- Operating device: EVG

Dimensions

- Lamp body: 609x936x47
- Total height – 1,892 mm
- Round steel tube, diameter, 35 mm

Material

- Lamp housing: Aluminum/plastic
- Lamp rods/bars: Round steel tube

Finish/colour

- Lamp body and lamp bars/rods: Silver-metallic

Supply schedule

- 1 stand lamp

Order no.	UP
00.350.160.9	1 unit



Knürr Lumax LED lamp Workstation or system installation

- Dimmable with „Touch DIM“ feature via push button on the lamp or at tabletop
- Perfect fit for Knürr consoles (adaptors for Knürr's multi functional rails)
- 20° tiltable

Material

- Sheet steel powder coated

Dimensions

- Width: 1140mm/1700mm
- Height: 30 mm (without adaptors)
- Depth: 100mm

Color combinations

- Lamp and supports : iron mica metallic microstructure
- Side panel: Aluminium RAL9007 microstructure

Supply schedule

- 1x LED lamp with integrated LED driver
- Version with offset switch: 1x module with external push button for switching and dimming
- Overhead system lamp: with adaptors to Knürr's multi functional rail
- 1x Schuko lead (3m)
- Mounting material

How supplied

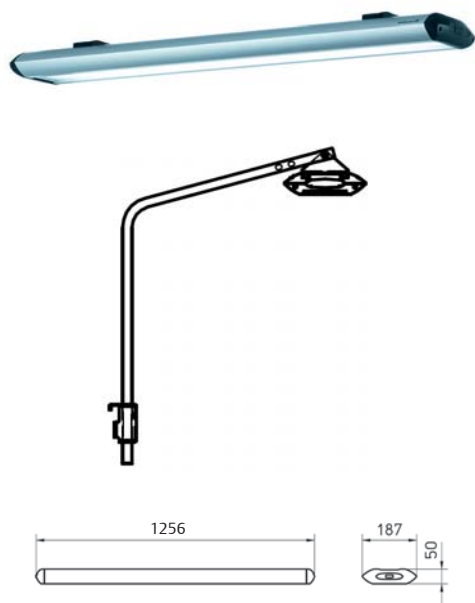
- Pre-assembled

Description	Model	Order no.	UP
Knürr Lumax LED 1140U 4000K int.	Workstation lamp with integrated push button	00.350.182.9	1 unit
Knürr Lumax LED 1140U 4000K ext.	Workstation Lamp with offset push button (below table top)	00.350.183.9	1 unit
Knürr Lumax LED 1140B 4000K ext.	System Light with offset push button (below table top)	00.350.185.9	1 unit
Knürr Lumax LED 1700U 4000K int.	Workstation lamp with integrated push button	00.350.186.9	1 unit
Knürr Lumax LED 1700U 4000K ext.	Workstation Lamp with offset push button (below table top)	00.350.187.9	1 unit
Knürr Lumax LED 1700B 4000K ext.	System Light with offset push button (below table top)	00.350.189.9	1 unit

Dimensions in mm: W= Width
 H = Height
 D = Depth
 h = Installation height
 d = Useful depth
 L = Length
 HU = Standard height unit, 1 HU = 44.45 mm
 19" = 482.6 mm, (ideal for 19" components in acc. with DIN 41494)
 UP = Unit of packaging
 kg = Weight

Conversion: 1 inch = 25,4 mm
 1 pound = 453,6 g
 Replace „x“ with the number of your color choice

Workplace System Tameto



Technical data

T5

- 1 x tubular fluorescent lamp T5 54W/840 G5
- Light temperature neutral white, 4000 K, Color rendering index Ra=80
- Energy efficiency A
- Electronic starter
- Energy Efficiency Index (EEI): A1 BAT
- Mains supply 220-240 V; 50/60 Hz
- Power consumption ca. 60 W
- Glare-free thanks to the conical prismatic screen (CDP) or aluminized parabolic louver (T5)
- System of protection IP20, class of protection I
- With switch or additionally continuously dimmable (internal or external dimming)

LED

- as before but:
- 4 x LED-Module
- Energy efficiency A+
- Electronic power supply
- Main supply 220-240 V; 50/60 Hz
- Power consumption ca. 43 W

Dimensions

- Body: 1256 x 187 x 50 mm
- Gallow: Steel tube d 22 mm
- Weight: ca. 5,4 kg

Material

- Body: Aluminium (colourless, anodised) / plastic (black)
- Steel swivel hinges for best lighting angle
- Gallow: Steel tube powder coated RAL 9006 White aluminium

Supply schedule

- 1 Workplace lamp Tameto
- 2 Lamp gallows
- 1 power lead 3 m / Schuko
- Mounting material (for installation on Knürr functional rail)
- In case of external dimming: Dimming knob with connection cable

Please note

- Installation requires Knürr Technical Furniture Functional Rail to be in place

Picture: Herbert Waldmann GmbH & Co. KG

Model	Order no.	UP
Workplace lamp Tameto cpl. T5 ext. dimming	00.350.175.9	1 unit
Workplace lamp Tameto cpl. T5 int. dimming	00.350.176.9	1 unit
Workplace lamp Tameto cpl. LED ext. dimming	00.350.177.9	1 unit
Workplace lamp Tameto cpl. LED int. dimming	00.350.178.9	1 unit

Dimensions in mm: W= Width
H = Height
D = Depth
h = Installation height
d = Usefull depth
L = Length

HU = Standard height
unit, 1 HU = 44.45 mm
19" = 482.6 mm,
(ideal for 19" components
in acc. with DIN 41494)
UP = Unit of packaging
kg = Weight

Conversion: 1 inch = 25,4 mm
1 pound = 453,6 g

Replace „x“ with the number of your
color choice

System Accessories

41 to 46



System Accessories

Products

Flat screen support	42
Functional rails	43
Accessories for multi-functional rails	45

Monitor arms

- Monitor arms for mounting flat screens with the 75 and 100 mm VESA mounting
- with cable management

Supply schedule

- 1 flat screen support
- Type E, F and G with pre-mounted height adjustment plate
- Mounting material

How supplied

- Flat-packed kit

Type A-G

- For mounting on Knürr double functional rails
- Swivel arm depth adjustment or gas spring arms for height adjustment
- Quick mounting rail adapters
- Free placement on horizontal double functional rails

Finish / Material A-G

- Swivel arm: die-cast aluminium
- Adapter plates: sheet steel
- Gas spring arm covers: plastic
- Metal parts: powder-coated, RAL 9006, White aluminum, smooth
- Gas spring arm housing – type B/C:
- Plastic, light grey

Type H

- With extension arm
- Integrated gas spring
- With quick connector function (01.316.257.9 and 01.316.258.9)

Finish / Material H

- Gas spring arm housing: Die-cast aluminum, silver
- Extension arm: Aluminum, silver

Flat Screen Support T45

- For mounting on Knürr double functional rails
- Only 45mm mounting depth
- Tilttable: -30° to +30°

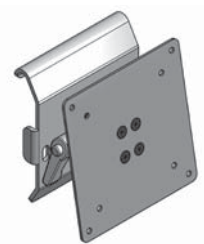
Model	Height adjustment plate	Load-bearing capacity	Order no.	UP
Type A, short		12 kg	01.316.206.1	1 unit
Type D, short		12 kg	01.316.210.9	1 unit
Type E, medium	•	10 kg	01.316.211.9	1 unit
Type F, long	•	10 kg	01.316.212.9	1 unit
Type G, double joint	•	8 kg	01.316.213.1	1 unit
Flat Screen Support T45		10 kg	01.316.228.9	1 unit
Type H, Gas spring arm for rail		4 - 9 kg	01.316.257.9	1 unit
Type H, Gas spring arm with desk clamp		8 - 15 kg	01.316.258.9	1 unit
Type H, Gas spring arm for rail, heavy duty		8 - 12 kg	01.316.259.9	1 unit



DAC20087



Type A DAC20191



Type H

Type T45



CIC20031

Type D



CIC20032

Type E



CIC20033

Type F



CIC20034

Type G



DAC20118

Knürr Dacobas®/Knürr Elicon® Functional Rail Duo

- For hanging on organisational accessories and flat screen holders

Material / Finish

- Extruded aluminium, powder-coated smooth, RAL 9006, white aluminium

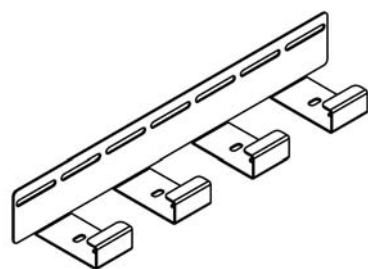
Supply schedule

1 functional rail and mounting material

How supplied

Flat packed kit

W	Type	Model	Order no.	UP
630	Duo	Knürr Dacobas®	01.315.170.9	1 unit
830	Duo	Knürr Dacobas®	01.315.171.9	1 unit
1030	Duo	Knürr Dacobas®	01.315.172.9	1 unit
1230	Duo	Knürr Dacobas®	01.315.173.9	1 unit
1430	Duo	Knürr Dacobas®	01.315.174.9	1 unit
1630	Duo	Knürr Dacobas®	01.315.175.9	1 unit
1830	Duo	Knürr Dacobas®	01.315.176.9	1 unit
2030	Duo	Knürr Dacobas®	01.315.177.9	1 unit
45°-corner	Duo	Knürr Dacobas®	01.315.180.9	1 unit
90°-wall corner	Duo	Knürr Dacobas®	01.315.181.9	1 unit
90°-trapezoid corner	Duo	Knürr Dacobas®	01.315.182.9	1 unit
800	Duo	Knürr Elicon®	04.208.210.9	1 unit
1000	Duo	Knürr Elicon®	04.208.211.9	1 unit
1200	Duo	Knürr Elicon®	04.208.212.9	1 unit
1400	Duo	Knürr Elicon®	04.208.213.9	1 unit
1600	Duo	Knürr Elicon®	04.208.214.9	1 unit
1800	Duo	Knürr Elicon®	04.208.215.9	1 unit
2000	Duo	Knürr Elicon®	04.208.216.9	1 unit



Cable Duct Functional Rail 25 mm

- For structured cabling at the monitor level
 - Finger design allows to let out cables exactly where needed
 - Simple, retrofittable installation grace to plastic quick locks
 - 400 mm elements, free placement

Material / Finish

- Sheetsteel, powder-coated texture, RAL 9006
 - Plastic black

Supply schedule

Cable duct segments
 Mounting material

How supplied

flatpacked

Please note

Please also ask for matching brush strips!

W	Type	Model	Order no.	UP
1550	25 mm	Functional rail	04.300.410.9	1 unit
1950	25 mm	Functional rail	04.300.411.9	1 unit
2350	25 mm	Functional rail	04.300.413.9	1 unit

Dimensions in mm: W= Width
 H = Height
 D = Depth
 h = Installation height
 d = Useful depth
 L = Length

HU = Standard height unit, 1 HU = 44.45 mm
 19" = 482.6 mm, (ideal for 19" components in acc. with DIN 41494)
 UP = Unit of packaging
 kg = Weight

Conversion: 1 inch = 25,4 mm
 1 pound = 453,6 g

Replace „x“ with the number of your color choice



DAC20028

Functional Rails with Workstation Superstructure

- Rail system with desk clamp
- For Knürr Elicon® worktops 30 mm, or Knürr Dacobas® control console corner worktops 20 mm
- For flat screens up to 560 mm (22")
- Can be upgraded at any time
- Rails can be mounted on two heights
- For TFT adapter and organizational accessories
- Up to 48 kg load capacity

Supply schedule

- 1 double functional rail
- 1 stay tube set
- Mounting material

How supplied

Flat-packed kit

Dimensions

- Various widths
- Height 323 mm
- Tube diameter 40 mm

Material

- Aluminum extrusion double functional rail
- Die-cast aluminum desk clamps
- Steel tube

Finish

Metal parts – powder-coated, RAL 9006, white aluminum

W	Desk system	Model	Order no.	UP
660	Knürr Elicon®		04.303.090.9	1 unit
1060	Knürr Elicon®		04.303.091.9	1 unit
1460	Knürr Elicon®		04.303.092.9	1 unit

INFO

You will find further flat screen supports in our brochure:

Ergonomic Flat Screen Support



Dimensions in mm: W= Width
 H = Height
 D = Depth
 h = Installation height
 d = Useful depth
 L = Length

HU = Standard height unit, 1 HU = 44.45 mm
 19" = 482.6 mm, (ideal for 19" components in acc. with DIN 41494)
 UP = Unit of packaging
 kg = Weight

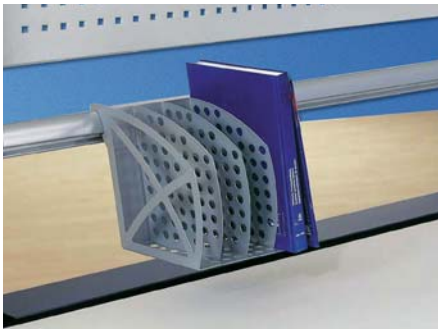
Conversion: 1 inch = 25,4 mm
 1 pound = 453,6 g

Replace „x“ with the number of your color choice



DAC20091

Tray console 430 mm



DAC20090

Magazine file DIN A4



DAC20082

Tray shelf DIN A4

Accessories for Multi-Functional Rails

- Organizational elements, compatible design for Knürr multi-functional rails
- 430 mm console – also perfect as telephone stand

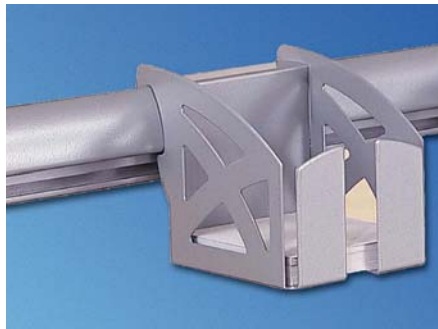
Supply schedule
- 1x Organizational element

How supplied
Complete

Material
Sheet steel

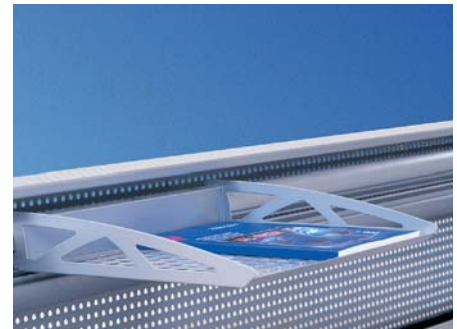
Finish
Powder-coated, RAL 9006, white aluminum

Model	Order no.	UP
Tray shelf DIN A4	04.300.400.9	1 unit
Box with note pad	04.303.103.9	1 unit
Tray shelf DIN A3	04.300.401.9	1 unit
Tray console 430 mm	04.303.106.9	1 unit
Magazine file DIN A4	04.303.110.9	1 unit



DAC20089

Box with note pad



DAC00600

Tray shelf DIN A3



ELI00061

Telephone Stands

- Swivels in 3 dimensions
- Large shelf surface, 250 x 175 mm
- Locking clip for secure positioning of equipment

Supply schedule

1 Telephone stands complete with mounting adapter for workstation mounting

Note

* For Knürr Elicon® control station, adapter BN 04.200.004.x additionally required

	Model	Order no.	UP
	Knürr Dacobas®	01.350.551.x	1 unit
	Knürr Elicon® *	00.350.551.x	1 unit



ELI00062

Tray Set

- Swivel plexiglass trays
- Individually removeable
- Tray size for DIN A4 format

1 Mounting adapter for workstation mounting

* For Knürr Elicon® control station, also order adapter BN 04.200.004.x

- **Supply schedule**
- 1 Column
- 3 Plexiglass trays

	Model	Order no.	UP
	Knürr Elicon®*	00.350.555.x	1 unit
	Knürr Dacobas®	01.350.555.x	1 unit



DAC00447

Cable Entry

- Cable entry for additional or retro cable input and output installation

- **Supply schedule**
- 1 Cable entry, 3-piece

Finish	Model	Order no.	UP
RAL 7035 light-grey	Type 1	01.350.156.1	1 unit
RAL 7035 light-grey	Type 2	01.350.145.1	1 unit
RAL 9011 graphite black	Type 1	01.350.156.3	1 unit
RAL 9011 graphite black	Type 2	01.350.145.5	1 unit

Dimensions in mm: W = Width
H = Height
D = Depth
h = Installation height
d = Useful depth
L = Length

HU = Standard height unit, 1 HU = 44.45 mm
19" = 482.6 mm, (ideal for 19" components in acc. with DIN 41494)
UP = Unit of packaging
kg = Weight

Conversion: 1 inch = 25,4 mm
1 pound = 453,6 g
Replace „x“ with the number of your color choice



Knürr DI-STRIP®

Socket Strips

47 to 64



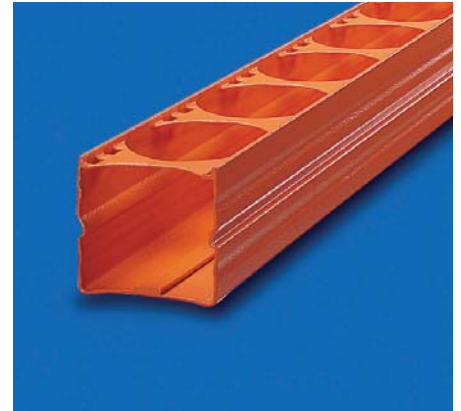
Socket Strips

Knürr DI-STRIP®

Strong Points	49
GST18 Plug system	50
GST18 Plug system france	52
Accessories	53
3 Phase in workstations for electronic engineers with GST 18	54
Classic	55
Compact	56
Protector	57
Safety Basic	60
Safety Standard	61
Master-Slave	62
Combi	63
Knürr DI-STRIP® M	64



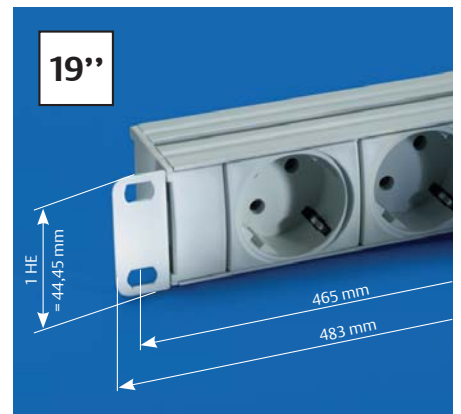
1 DOS00291



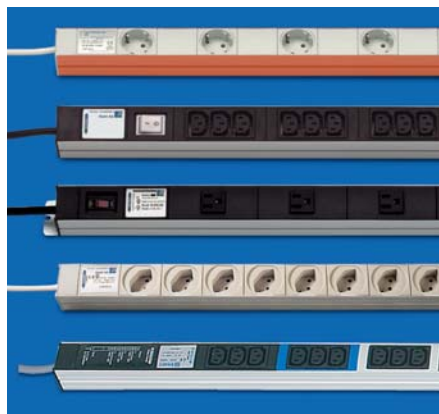
2 DOS00312



3 DOS00317



4 DOS00365



5 DOS00721



6 DOS00318

INFO

You will find more information on Knürr DI-STRIP® at:

www.EmersonNetworkPower.com



7 DOS00366

Knürr DI-STRIP® Strong points

1 Robust!

Plug field protected with raised casing edges.

2 Stability

High stability and torsional strength provided with closed sheet steel casing.

3 Electrical safety

Full power to all connected consumers with full-length brass busbar. Shock hazard-proof and low contact resistance with double spring contacts.

4 19" installation

Optimum use of space with 19" installation:
- With low height, 1 U (44.45 mm)
- With 45° positioning of the sockets

5 International compatibility

Numerous standard products in accordance with international standards. Special models on request.

6 Flexibility

Plenty of room for movement with 2.5 m power supply cable. Flexibility provided by standard plug with dual earthing system.

7 Aesthetics

Appealing design with extruded casing and design side panels in visible area.

8 Cost-conscious

Quick and easy mounting on the rack extrusion.

9 Universal

1 and 3-phase systems.

10 Modularity

Socket strip modules can be easily combined using plug-in connections.

10 Connectivity

Proven GST18 plug-in system for connecting socket strip modules.

11 Certifications

Worldwide approvals and certifications are a quality feature.



8 DOS20131



9 DOS20134



9 DOS20134



10 DOS20142



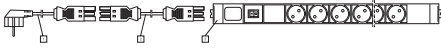
10 DOS20144



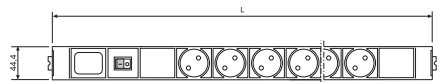
11 DOS00317



DOS20060

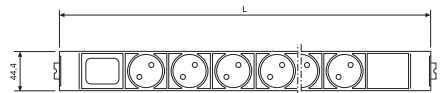


DOS00663



DOS20045

With switch



DOS20046

Without switch

DI-STRIP GST18 PLUG SYSTEM (WIELAND) COMPACT Standard DIN 49 440 (VDE)

- Quick and efficient plug connection system
- Plug-in electro-installation in place of conventional wiring
- Speed:
 - Due to simple plugging together of preconfigured elements
- Flexibility:
 - Due to the cable (cable length)
- Efficient:
 - Easy exchange of socket strips, without cabling expenses
- Safety:
 - Due to plug system, all faulty installations are excluded
- Space-saving:
 - Use of protection and switching functions can be extended to additional socket strips with no loss of plugging space by extending cable (maximum load rating of 16 A)

Material / Finish

Casing: closed sheet-steel extrusion, zinc-plated, powder-coated texture
 Plastic parts: polyamide PA6 (UL 94 V0), recyclable
 Internal conductor: full-length busbar, brass

Dimensions

Socket spacing: 50 mm
 Height: 45.5 mm
 Casing width: 44.4 mm (= 1 HU)
 Cable feed: 2.5 m

Approvals

CE label in accordance with the low potential guideline 2006/95/EWG, EMC guideline 2004/108/EWG
 VDE Certificate
 BVBG

Colour combination

RAL 7035 light-grey
 Plastic parts: RAL 7035 light-grey

Load rating

250 VAC/10 A

Supply schedule

1 Socket strip
 2 Mounting brackets

L	S	n	F1	F2	19"	Safe	Model	Order no.	UP
583	•	6	•				with switch	03.302.206.1	1 unit
422	•	3	•				with switch	03.302.203.1	1 unit
533		7	•					03.300.207.1	1 unit
383		4	•					03.300.204.1	1 unit



DOS20072

Knürr DI-STRIP® SAFETY BASIC With GST18 plug system

- With overvoltage protection
- Technical description, see page 52

L	S	n	F1	F2	19"	Safe	Model	Order no.	UP
433								03.316.204.1	1 unit



DOS20073

Knürr DI-STRIP® SAFETY STANDARD With GST18 plug system

- With overvoltage protection, with integrated mains filter and lit switch
- Technical description, see page 53

L	S	n	F1	F2	19"	Safe	Model	Order no.	UP
583								03.318.205.1	1 unit



DOS00464

Knürr DI-STRIP® MASTER SLAVE With GST18 plug system

- Technical description, see page 54

L	S	n	F1	F2	19"	Safe	Model	Order no.	UP
583								03.314.205.1	1 unit



DOS20112



DOS20107

Input



DOS20106

Output for further cabling

Knürr DI-STRIP® Euro Socket System, IEC 320 With GST18 plug system

- With 3-way Euro combinations of IEC 320 sockets
- Without fuse protection

Material / Finish

Casing: Closed sheet steel extrusion, zinc-passivated, powder-coated texture
Plastic parts: Vampamid 6 0024 VO (UL94), recyclable

Dimensions

Socket spacing: 24 mm
Height: 45.5 mm
Casing width: 44.4 mm (= 1 U)

Approvals/certificates

- CE Symbol in accordance with Low Voltage Directive 2006/95/EC
- EMC Directive 2004/108/EC
- BVBG
- CSA NRTL/C
- CB-scheme

Colour

Casing: RAL 7035 light gray
Plastic parts: RAL 7021 dark gray

Load rating

100-240 Vac/10 A

Approval symbols for IEC 320 3-way Euro combinations

VDE, UR, CSA

Supply schedule

- 1 socket strip
- 2 mounting brackets
- 2 19" mounting brackets (additional with 19" installation option)

L	S	n	F1	F2	19"	Safe	Model	Order no.	UP
383		6	•					03.600.206.1	1 unit



DOS20110

Knürr DI-STRIP® Safety Basic Euro Socket System IEC 320 With GST18 plug system

- With overvoltage protection
- Technical description, see page 52

L	S	n	F1	F2	19"	Safe	Model	Order no.	UP
483		6						03.616.206.1	1 unit



DOS20109

Knürr DI-STRIP® Safety Standard Euro Socket System IEC 320 With GST18 plug system

- With overvoltage protection with integrated mains filter
- Technical description, see page 53

L	S	n	F1	F2	19"	Safe	Model	Order no.	UP
483		6						03.618.206.1	1 unit



DOS20204

Knürr DI-STRIP® Ampere meter With GST18 plug system

- Technical description, see page 56

L	S	n	F1	F2	19"	Safe	Model	Order no.	UP
183		1						03.606.200.1	1 unit

Dimensions in mm: W= Width
H = Height
D = Depth
h = Installation height
d = Useful depth
L = Length
S = Switch
n = Number of sockets

HU = Standard height unit, 1 HU = 44.45 mm
19" = 482.6 mm, (ideal for 19" components in acc. with DIN 41494)
F1 = Standard side
F2 = Design side
Safe = Child-safe
UP = Unit of packaging

Conversion: 1 inch = 25,4 mm
1 pound = 453,6 g

Replace „x“ with the number of your color choice



DOS20048 GST 18 with switch



DOS20047 GST 18 without switch

Knürr DI-STRIP® Compact GST 18 Plug System (Wieland) Standard CEE 7 V (UTE) / France

- Quick and efficient plug connection system
 - Plug-in electro-installation in place of conventional wiring
 - Speed:
 - Due to simple plugging together of preconfigured elements
 - Flexibility:
 - Due to the cable (cable length)
 - Efficient:
 - Easy exchange of socket strips, without cabling expenses
 - Safety:
 - Due to plug system, all faulty installations are excluded
 - Space-saving:
 - Use of protection and switching functions can be extended to additional socket strips with no loss of plugging space by extending cable (maximum load rating of 16 A)
- Material / Finish**
 Casing: closed sheet-steel extrusion, zinc-plated, powder-coated texture
 Plastic parts: polyamide PA6 (UL 94 V0), recyclable
 Internal conductor: full-length busbar, brass

- Dimensions**
 Socket spacing: 50 mm
 Height: 45.5 mm
 Casing width: 44.4 mm (= 1 HU)
- Approvals**
 CE Label in accordance with the low potential guideline 2006/95/EWG, EMC guideline 2004/108/EWG
 - CB-scheme
 - BVBG
- Colour**
 RAL 7035 light-grey
 Plastic parts: RAL 7035 light-grey
- Load rating**
 250 VAC/10 A
- Supply schedule**
 1 Socket strip
 2 Mounting brackets

L	S	n	F1	F2	19"	Safe	Model	Order no.	UP
583	•	6	•			•	with switch	03.402.206.1	1 unit
433	•	3	•			•	with switch	03.402.203.1	1 unit
533		7	•			•		03.400.207.1	1 unit
383		4	•			•		03.400.204.1	1 unit



DOS20051

Knürr DI-STRIP® Safety Basic With GST 18 plug system / France

- With overvoltage protection
- Technical description, see page 52

L	S	n	F1	F2	19"	Safe	Model	Order no.	UP
433		4				•		03.416.204.1	1 unit



DOS20052

Knürr DI-STRIP® Safety Standard With GST18 plug system

- With overvoltage protection, with integrated mains filter and lit switch
- Technical description, see page 53

L	S	n	F1	F2	19"	Safe	Model	Order no.	UP
583		5				•		03.418.205.1	1 unit



DOS20054

Knürr DI-STRIP® Master Slave With GST18 plug system

- Technical description, see page 54

L	S	n	F1	F2	19"	Safe	Model	Order no.	UP
533		5				•		03.414.205.1	1 unit



DOS00467

Power Supply Cable, 1-Phase Accessories for GST 18 plug system

- Mains plug CEE/VII - GST18 socket (Wieland)
- Cable, H05VV-F 3G 1.5 mm²

■ **Colour**
White

L	S	n	F1	F2	19"	Safe	Model	Order no.	UP
2000								04.000.040.0	1 unit
5000								04.000.041.0	1 unit



DOS00469

Connection Cable Accessories for GST 18 plug system

- GST 18 plug
- GST 18 socket
- Cable, H05VV-F 3G 1.5 mm²

■ **Colour**
For color coding circuits (e.g. UPS)

L	S	n	F1	F2	19"	Safe	Model	Order no.	UP
200							White	04.000.042.0	1 unit
200							Black	04.000.042.9	1 unit
500							White	04.000.037.0	1 unit
500							Black	04.000.037.9	1 unit
1000							White	04.000.044.0	1 unit
1000							Black	04.000.044.9	1 unit
5000							White	04.000.045.0	1 unit



DOS20105

GST18 Socket Part

- With screw terminal for cross-section 1.5-2.5 mm² with cable strain relief
- For individual, customer-side connection

■ **Colour**
White

L	S	n	F1	F2	19"	Safe	Model	Order no.	UP
								04.000.046.0	1 unit



DOS00471

GST18 Plug Part

- With screw terminal for cross-section 1.5-2.5 mm² with cable strain relief
- For individual, customer-side additional cabling

■ **Colour**
White

L	S	n	F1	F2	19"	Safe	Model	Order no.	UP
								04.000.047.0	1 unit



DOS00470

Dimensions in mm: W= Width
H = Height
D = Depth
h = Installation height
d = Useful depth
L = Length
S = Switch
n = Number of sockets

HU = Standard height unit, 1 HU = 44.45 mm
19" = 482.6 mm, (ideal for 19" components in acc. with DIN 41494)
F1 = Standard side
F2 = Design side
Safe = Child-safe
UP = Unit of packaging

Conversion: 1 inch = 25,4 mm
1 pound = 453,6 g

Replace „x“ with the number of your color choice

3-Phase in workstations for electronic engineers with GST18 Strong points



1 DOS20132

Effort

In many sectors like in the workstation for electronic engineers

1 Solution

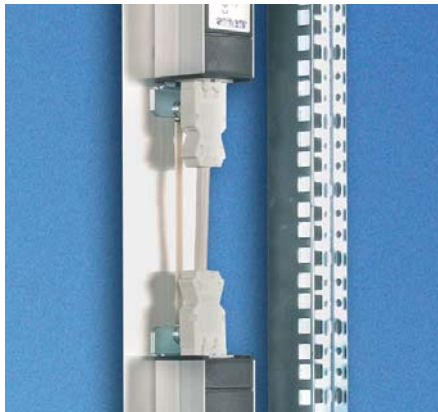
3-phase plug system, e.g. 96 A and more with redundant feed

2 Advantages

- Modularity
- Plug-in capability (no wiring required)
- Expandability
- Cascadability
- Easy implementation of redundancies / UPS secured circuits
- Mix of, for example, DIN protected contacts / IEC 320 Euro systems
- Installation position freely



2 DOS20142



2 DOS20135



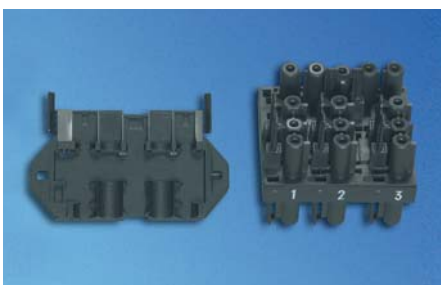
DOS20104

Power Supply Cable, 3-Phase Accessories for GST 18 plug system

- GST 18 socket for connecting GST18i5 distributor block with 3 phases
- 5-pole (L1, L2, L3, N, PE) 250/400 V ~
- Cable: HO5VV-F 5G 2.5 mm²

Colour
Black

L	S	n	F1	F2	19"	Safe	Model	Order no.	UP
2000								04.000.048.0	1 unit



DOS20103

GST18i5 Distributor Block, 3-Phase

- For individual connection at the customer
- Modular plug-in connection
- Distribution of 3 phases on various sockets
- Including mounting panel

Colour
Black

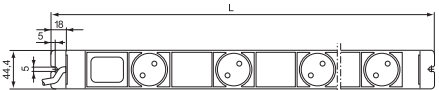
L	S	n	F1	F2	19"	Safe	Model	Order no.	UP
								04.000.038.9	1 unit



DOS00403



DOS00260 with switch



DOS00261 without switch

Knürr DI-STRIP® Classic Standard DIN 49 440 (VDE)

- Optionally with lit switch, 2-pole switching
- Socket rotation: 45°
- Cable feed: H05VV-F 3G 1.5 mm²
- Moulded right angle plug

Material / Finish

Casing: closed sheet-steel extrusion, zinc-plated, powder-coated texture
Plastic parts: polyamide PA6 (UL 94 V0), recyclable
Internal conductor: full-length busbar, brass
Cable feed: PVC

Dimensions

Socket spacing: 100 mm
Height: 45.5 mm
Casing width: 44.4 mm (= 1 HU)
Cable feed: 2, 5 m

Approvals

CE Label in accordance with the low potential guideline 2006/95/EWG, EMC guideline 2004/108/EWG
VDE Certificate
BVBG

Colour

Final digit of order number .1:
RAL 7035 light-grey
Final digit of order number .6:
Casing, RAL 2003, pastel orange
Plastic parts: RAL 7035 light-grey

Load rating

250 VAC/16 A

Supply schedule

1 Socket strip
2 Mounting brackets

L	S	n	F1	F2	19"	Safe	Model	Order no.	UP
1783		17	•					03.300.067.x	1 unit
1383		13	•					03.300.063.x	1 unit
983		9	•					03.300.059.x	1 unit
583		5	•					03.300.055.x	1 unit
1733	•	16	•				with switch	03.302.066.x	1 unit
1333	•	12	•				with switch	03.302.062.x	1 unit
933	•	8	•				with switch	03.302.058.x	1 unit
533	•	4	•				with switch	03.302.054.x	1 unit



PDU 6-way UK type w. switch

- 4m power lead and bare wire ends
- With 6 power outlets UK type
- Mounting brackets for surface mounting
- Mains power switch with cap

Material/Finish

Aluminium casing, black

Dimensions

Body length 436mm, fixing centres 463mm, height 55mm

Load rating

Max. current handling 13-16A, 240VAC

Supply schedule

1 socket strip incl. mounting brackets

L	S	n	F1	F2	19"	Safe	Model	Order no.	UP
436	•	6	•	•			Socket strip	93.200.333.0	1 unit



Dimensions in mm: W= Width
H = Height
D = Depth
h = Installation height
d = Useful depth
L = Length
S = Switch
n = Number of sockets
HU = Standard height unit, 1 HU = 44.45 mm
19" = 482.6 mm, (ideal for 19" components in acc. with DIN 41494)
F1 = Standard side
F2 = Design side
Safe = Child-safe
UP = Unit of packaging

Conversion: 1 inch = 25,4 mm
1 pound = 453,6 g
Replace „x“ with the number of your color choice



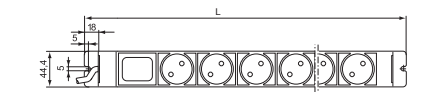
DOS00401

with switch



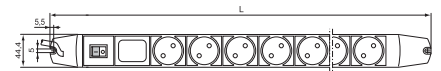
DOS00262

with switch



DOS20020

without switch



DOS20021

with switch



DOS00263

without switch

Knürr DI-STRIP® Compact Standard DIN 49 440 (VDE)

- Optionally with lit switch, 2-pole switching
- 19" Installation option (with length 483 mm)
- 2 Versions: Standard side panel or Design side panel
- Socket rotation: 45°
- Cable feed: H05VV-F 3G 1.5 mm²
- Moulded right angle plug

Material / Finish

Casing: closed sheet-steel extrusion, zinc-plated, powder-coated texture
 Plastic parts: polyamide PA6 (UL 94 V0), recyclable
 Internal conductor: full-length busbar, brass
 Cable feed: PVC

Dimensions

distance of the sockets: 50 mm
 Height: 45.5 mm
 Casing width: 44.4 mm (= 1 HU)
 Cable feed: 2, 5 m

Approvals

CE Label in accordance with the low potential guideline 2006/95/EWG, EMC guideline 2004/108/EWG
 VDE Certificate
 BVBG

Colour

Final digit of order number .1:
 RAL 7035 light-grey
 Final digit of order number .6:
 Casing, RAL 2003, pastel orange
 Plastic parts: RAL 7035 light-grey

Load rating

250 VAC/16 A

Supply schedule

- 1 Socket strip
- 2 Mounting brackets
- 2 19" Mounting bracket (additional with 19" installation option)

L	S	n	F1	F2	19"	Safe	Model	Order no.	UP
883		15	•					03.300.015.x	1 unit
732		11		•				03.300.111.x	1 unit
683		11	•					03.300.011.x	1 unit
532		7		•		•		03.301.107.x	1 unit
532		7	•	•				03.300.107.x	1 unit
483		7	•		•			03.300.007.x	1 unit
382		4		•		•		03.301.104.x	1 unit
382		4		•				03.300.104.x	1 unit
333		4	•					03.300.004.x	1 unit
883	•	14	•				with switch	03.302.014.x	1 unit
732	•	10		•			with switch	03.302.110.x	1 unit
683	•	10	•				with switch	03.302.010.x	1 unit
532	•	6		•		•	with switch	03.303.106.x	1 unit
532	•	6		•			with switch	03.302.106.x	1 unit
483	•	6	•		•		with switch	03.302.006.x	1 unit
382	•	3		•		•	with switch	03.303.103.x	1 unit
382	•	3		•			with switch	03.302.103.x	1 unit
333	•	3	•				with switch	03.302.003.x	1 unit

Dimensions in mm: W= Width
 H = Height
 D = Depth
 h = Installation height
 d = Useful depth
 L = Length
 S = Switch
 n = Number of sockets

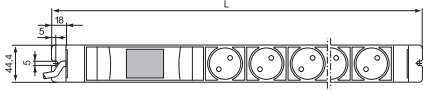
HU = Standard height unit, 1 HU = 44.45 mm
 19" = 482.6 mm, (ideal for 19" components in acc. with DIN 41494)
 F1 = Standard side
 F2 = Design side
 Safe = Child-safe
 UP = Unit of packaging

Conversion: 1 inch = 25.4 mm
 1 pound = 453,6 g

Replace „x“ with the number of your color choice



DOS20065 With fault current circuit breaker



DOS00264 With fault current circuit breaker

Knürr DI-STRIP® Protector FI Standard DIN 49 440 (VDE)

Protector FI

- Fault current protection switch for operator protection
- Prevents electrical and fire accidents with safe and rapid switching off
- Activates with fault current, e.g. accidental contact of mains voltage-carrying parts with defective insulation
- Residual operating current $I_{\Delta} = 10 \text{ mA}$ for alternating and intermittent fault direct current
- Reaction time 10 - 30 ms
- 19" Installation option (with length 483 mm)
- Rotation of the sockets: 45°
- Cable feed: H05VV-F 3G 1.5 mm²
- Moulded right angle plug

Material / Finish

Casing: closed sheet-steel extrusion, zinc-plated, powder-coated texture
 Plastic parts: polyamide PA6 (UL 94 V0), recyclable
 Internal conductor: full-length busbar, brass
 Cable feed: PVC

Dimensions

Socket spacing: 50 mm
 Height: 78 mm
 Casing width: 44.4 mm (= 1 HU)
 Cable feed: 2, 5 m

Approvals

CE Label in accordance with the low potential guideline 2006/95/EWG, EMC guideline 2004/108/EWG BVBG

Colour

RAL 7035 light-grey
 Plastic parts: RAL 7035 light-grey

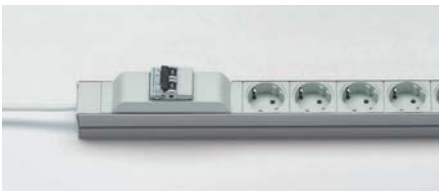
Load rating

250 VAC/16 A

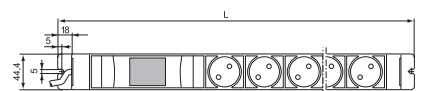
Supply schedule

- 1 Socket strip
- 2 Mounting brackets
- 2 19" Mounting brackets (additional with 19" installation option)

L	S	n	F1	F2	19"	Safe	Model	Order no.	UP
883		13	•					03.304.013.1	1 unit
683		9	•					03.304.009.1	1 unit
483		5	•		•			03.304.005.1	1 unit



DOS00692 With circuit breaker



DOS00264 With circuit breaker

Knürr DI-STRIP® Protector LS Standard DIN 49 440 (VDE)

Protector LS

- Circuit breaker for overload and short circuit
- Protects cables and feeds with rapid switching off with short circuit and defined delayed cutoff with overload
- Circuit breaker: 16 A
- Tripping characteristic type B, 2-pole
- 19" Installation option (with length 483 mm)
- Socket rotation: 45°
- Cable feed: H05VV-F 3G 1.5 mm²
- Moulded right angle plug

Material / Finish

Casing: closed sheet-steel extrusion, zinc-plated, powder-coated texture
 Plastic parts: polyamide PA6 (UL 94 V0), recyclable
 Internal conductor: full-length busbar, brass
 Cable feed: PVC

Dimensions

Socket spacing: 50 mm
 Height: 78 mm
 Casing width: 44.4 mm (= 1 HU)
 Cable feed: 2, 5 m

Approvals

CE Label in accordance with the low potential guideline 73/23/EWG, EMC guideline 89/336/EWG VDE Certificate BVBG

Colour

RAL 7035 light-grey
 Plastic parts: RAL 7035 light-grey

Load rating

250 VAC/16 A

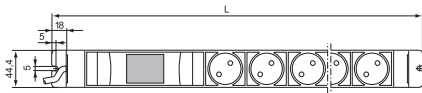
Supply schedule

- 1 Socket strip
- 2 Mounting brackets
- 2 19" Mounting brackets (additional with 19" installation option)

L	S	n	F1	F2	19"	Safe	Model	Order no.	UP
883		13	•					03.308.013.1	1 unit
683		9	•					03.308.009.1	1 unit
483		5	•		•	•		03.308.005.1	1 unit



DOS00693



DOS00264

DI-STRIP PROTECTOR FI / LS Standard DIN 49 440 (VDE)

Protector FI / LS

- RCCB and circuit breaker
- Provides a combination of user, overload and short circuit protection
- Residual operating current $I_g = 30$ mA for alternating and intermittent fault direct-current
- Circuit breaker 16 A
- Tripping characteristic type B, 2-pole
- 19" Installation option (with length 483 mm)
- Socket rotation: 45°
- Cable feed: H05VV-F 3G 1.5 mm²
- Moulded right angle plug

Material / Finish

Casing: closed sheet-steel extrusion, zinc-plated, powder-coated texture
 Plastic parts: polyamide PA6 (UL 94 V0), recycleable
 Internal conductor: full-length busbar, brass
 Cable feed: PVC

Dimensions

Socket spacing: 50 mm
 Height: 78 mm
 Casing width: 44.4 mm (= 1 HU)
 Cable feed: 2.5 m

Approvals

CE label in accordance with the low potential guideline 2006/95/EWG, EMC guideline 2004/108/EWG BVBC

Colour

RAL 7035 light-grey
 Plastic parts: RAL 7035 light-grey

Load rating

250 VAC/16 A

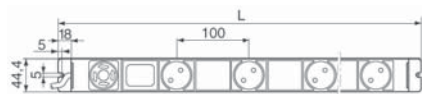
Supply schedule

- 1 Socket strip
- 2 Mounting brackets
- 2 19" Mounting brackets (additional with 19" installation option)

L	S	n	F1	F2	19"	Safe	Model	Order no.	UP
883		13	•					03.310.013.1	1 unit
683		9	•					03.310.009.1	1 unit
483		5	•		•			03.310.005.1	1 unit

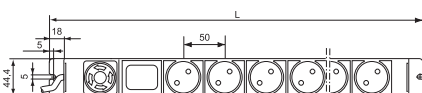


DOS20059



DOS00486

Classic with emergency stop switch



DOS00487

Protector with emergency stop switch

Knürr DI-STRIP® Protector Emergency STOP Standard DIN 49 440 (VDE)

- With 2-pole emergency STOP switch for user protection
- To protect the operating personnel
- For manual emergency switch-off of the connected equipment
- Phase and neutral conductors are safely separated
- Switch must be specifically unlocked to restart
- 19" Installation option (with length 483 mm)
- Socket rotation: 45°
- Cable feed: H05VV-F 3G 1.5 mm²
- Cast-on angle plug

Material / Finish

Casing: closed sheet-steel extrusion, zinc-plated, powder-coated texture
 Plastic parts: polyamide PA6 (UL 94 V0), recycleable
 Internal conductor: full-length busbar, brass
 Cable feed: PVC

Dimensions

Socket spacing: Classic: 100 mm, Compact: 50 mm
 Height: 101 mm
 Casing width: 44.4 mm (= 1 HU)
 Cable feed: 2.5 m

Approvals

CE Label in accordance with the low potential guideline 73/23/EWG, EMC guideline 89/336/EWG BVBC

Colour

RAL 7035 light-grey
 Plastic parts: RAL 7035 light-grey

Load rating

250 VAC/16 A

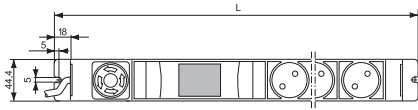
Supply schedule

- 1 Socket strip
- 2 Mounting brackets
- 2 19" Mounting brackets (additional with 19" installation option)

L	S	n	F1	F2	19"	Safe	Model	Order no.	UP
683		10	•				Compact	03.326.010.1	1 unit
483		8	•		•		Compact	03.326.006.1	1 unit
1333		12	•				Classic	03.326.062.1	1 unit
933		8	•				Classic	03.326.058.1	1 unit



DOS00456



DOS00488

Knürr DI-STRIP® Protector Emergency STOP FI / LS Standard DIN 49 440 (VDE)

- With 2-pole emergency STOP switch for user protection
- To protect the operating personnel
- For manual emergency switch-off of the connected equipment
- Phase and neutral conductors are safely separated
- Switch must be specifically unlocked to restart
- Socket rotation: 45°
- Cable feed: H05VV-F 3G 1.5 mm²
- Moulded right angle plug

Material / Finish

Casing: closed sheet-steel extrusion, zinc-plated, powder-coated texture
 Plastic parts: polyamide PA6 (UL 94 V0), recyclable
 Internal conductor: full-length busbar, brass
 Cable feed: PVC

Dimensions

Socket spacing:
 Compact: 50 mm
 Height: 101 mm
 Casing width: 44.4 mm (= 1 HU)
 Cable feed: 2.5 m

Approvals

CE label in accordance with the low potential guideline 2006/95/EWG, EMC guideline 2004/108/EWG BVBC

Colour

RAL 7035 light-grey
 Plastic parts: RAL 7035 light-grey

Additional:

With 2-pole fault current switch and circuit breaker, provides a combination of user, overload and short circuit protection

Load rating

250 VAC/16 A

Supply schedule

1 Socket strip
 2 Mounting brackets

L	S	n	F1	F2	19"	Safe	Model	Order no.	UP
683		8	•					03.328.008.1	1 unit

Dimensions in mm: W= Width
 H = Height
 D = Depth
 h = Installation height
 d = Useful depth
 L = Length
 S = Switch
 n = Number of sockets

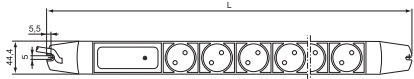
HU = Standard height unit, 1 HU = 44.45 mm
 19" = 482.6 mm, (ideal for 19" components in acc. with DIN 41494)
 F1 = Standard side
 F2 = Design side
 Safe = Child-safe
 UP = Unit of packaging

Conversion: 1 inch = 25,4 mm
 1 pound = 453,6 g

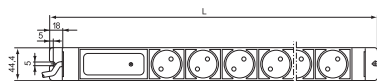
Replace „x“ with the number of your color choice



DOS20068 with overvoltage protection



DOS00306 with overvoltage protection



DOS00270 with overvoltage protection

Knürr DI-STRIP® Safety Basic Standard DIN 49 440

- With overvoltage protection
- A combination of varistors and gas discharge arresters guarantee a rapid response and high discharge capacity
- Simple but effective protection against indirect strikes and voltage spikes from the mains
- Double protection:
 - 1. Up to max. surge current resistance, transient overvoltages are reduced to non-damaging values
 - 2. If the surge current resistance is exceeded, the connected equipment is separated from the mains to protect against further overvoltage spikes (the green function display goes off). The protection module must then be changed for further use.
- To increase the protection function, a coarse filter should be switched in advance in the building installation.
- 19" Installation option (with length 483 mm)
- Socket rotation: 45°
- Cable feed: H05VV-F 3G 1.5 mm²
- Moulded right angle plug

Material / Finish

Casing: closed sheet-steel extrusion, zinc-plated, powder-coated texture
 Plastic parts: polyamide PA6 (UL 94 V0), recyclable
 Internal conductor: full-length busbar, brass
 Cable feed: PVC

Dimensions

Socket spacing: 50 mm
 Height: 45.5 mm
 Casing width: 44.4 mm (= 1 HU)
 Cable feed: 2.5 mm

Approvals

CE Label in accordance with the low potential guideline 2006/95/EWG, EMC guideline 2004/108/EWG
 BVBC

Colour combination

Final digit of order number .1:
 RAL 7035 light-grey
 Final digit of order number .6:
 Casing, RAL 2003, pastel orange
 Plastic parts: RAL 7035 light-grey

Technical data

Mains voltage 230 VAC +/- 10 %
 Nominal current 16A
 Feature class: D (refined protection in accordance with DIN VDE 0675)
 Surge current resistance (8/20 µs wave): max. 10 kA
 Protection level (1.5/50 µs wave): < 1200 V (L/N against PE)

Supply schedule

1 Socket strip
 2 Mounting brackets
 2 19" Mounting brackets
 (additional with 19" installation option)

L	S	n	F1	F2	19"	Safe	Model	Order no.	UP
732		10		•				03.316.110.x	1 unit
683		10	•					03.316.010.x	1 unit
532		6		•		•		03.317.106.x	1 unit
532		6		•				03.316.106.x	1 unit
483		6	•		•			03.316.006.x	1 unit
432		4		•		•		03.317.104.x	1 unit
432		4		•				03.316.104.x	1 unit
383		4	•					03.316.004.x	1 unit

Dimensions in mm: W= Width
 H = Height
 D = Depth
 h = Installation height
 d = Useful depth
 L = Length
 S = Switch
 n = Number of sockets

HU = Standard height unit, 1 HU = 44.45 mm
 19" = 482.6 mm, (ideal for 19" components in acc. with DIN 41494)
 F1 = Standard side
 F2 = Design side
 Safe = Child-safe
 UP = Unit of packaging

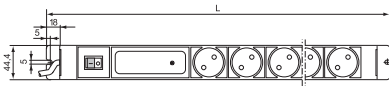
Conversion: 1 inch = 25.4 mm
 1 pound = 453.6 g

Replace „x“ with the number of your color choice



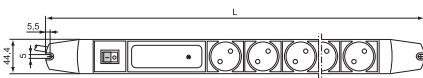
DOS20069

with overvoltage protection
and mains filter



DOS00307

with overvoltage protection
and mains filter



DOS00271

Knürr DI-STRIP® Safety Standard Standard DIN 49 440 (VDE)

- With overvoltage protection
- With integrated mains filter
- With lit switch, 2-pole switching
- A combination of varistors and gas discharge arresters guarantee a rapid response and high discharge capacity
- Simple but effective protection against indirect strikes and voltage spikes from the mains and high frequency disturbance signals
- Overvoltage protection:
 - 1. Up to max. surge current resistance, transient overvoltages are reduced to non-damaging values
 - 2. If the surge current resistance is exceeded, the connected equipment is separated from the mains to protect against further overvoltage spikes (the green function display goes off). The protection module must then be changed for further use.
- Mains filter:
 - High-frequency disturbance signals are effectively eliminated by the high-stop mains filter
 - 19" Installation option (with length 483 mm)
 - Socket rotation: 45°
 - Cable: HO5VV-F 3G 1.5 mm²
 - Moulded right angle plug

Material / Finish

Casing: closed sheet-steel extrusion, zinc-plated, powder-coated texture
 Plastic parts: polyamide PA6 (UL 94 V0), recycleable
 Internal conductor: full-length busbar, brass
 Cable feed: PVC

Dimensions

Socket spacing: 50 mm
 Height: 45.5 mm
 Casing width: 44.4 mm (= 1 HU)
 Cable feed: 2.5 m

Approvals

CE Label in accordance with the low potential guideline 2006/95/EWG, EMC guideline 2004/108/EWG BVBC

Colour combination

Final digit of order number .1:
 RAL 7035 light-grey
 Final digit of order number .6:
 Casing, RAL 2003, pastel orange
 Plastic parts: RAL 7035 light-grey

Technical data

Mains voltage 230 VAC +/- 10 %
 Nominal current 16A
 Feature class: D (refined protection in accordance with DIN VDE 0675)
 Surge current resistance (8/20 μs wave): max. 10 kA
 Protection level (1.5/50 μs wave): < 1200 V (L/N against PE)
 Mains filter (high-stop): attenuation at 1MHz: > 45 dB

Supply schedule

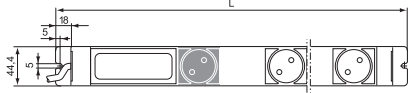
1 Socket strip
 2 Mounting brackets
 2 19" Mounting brackets
 (additional with 19" installation option)

L	S	n	F1	F2	19"	Safe	Model	Order no.	UP
883	•	13	•				with switch	03.318.013.x	1 unit
732	•	9		•		•	with switch	03.319.109.x	1 unit
732	•	9		•			with switch	03.318.109.x	1 unit
683	•	9	•				with switch	03.318.009.x	1 unit
532	•	5		•		•	with switch	03.319.105.x	1 unit
532	•	5		•			with switch	03.318.105.x	1 unit
483	•	5	•		•		with switch	03.318.005.x	1 unit



DOS20070

with master-slave module



DOS00268

with master-slave module

Knürr DI-STRIP® Master-Slave Standard DIN 49 440 (VDE)

- If the master equipment is switched, the slave sockets are also switched (together, with a short delay to the master). Enables easy switching on and off of several difficult to access pieces of equipment. Switching thresholds can be set from outside via potentiometer.

- Note

- Power consumption of the masterequipment must be constantly over the switching on threshold. When switching off the master equipment, the power consumption must fall below the switching off threshold.

- 19" Installation option (with length 483 mm)
- Socket rotation: 45°
- Cable: HO5VV-F 3G 1.5 mm²
- Moulded right angle plug

Material / Finish

Casing: closed sheet-steel extrusion, zinc-plated, powder-coated texture
 Plastic parts: polyamide PA6 (UL 94 V0), recyclable
 Internal conductor: full-length busbar, brass
 Cable feed: PVC

Dimensions

Socket spacing: 50 mm
 Height: 45.5 mm
 Casing width: 44.4 mm (= 1 HU)
 Cable feed: 2.5 m

Approvals

CE label in accordance with the low potential guideline 2006/95/EWG
 CB-Scheme
 BVBG

Colour

RAL 7035 light-grey
 Plastic parts: RAL 7035 light-grey

Load rating

250 VAC/16 A

Technical data

Threshold setting range
 On: 20 mA - 200 mA
 (approx 55 mA, supply status)
 Off: 16 mA -160 mA
 (approx 44 mA, supply status)
 Switching delay 550 ms \pm -20 %
 Electronic module, 2-pole switching

Supply schedule

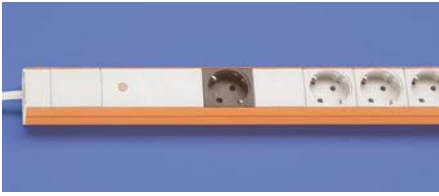
1 Socket strip
 2 Mounting brackets
 2 19" Mounting brackets
 (additional with 19" installation option)

L	S	n	F1	F2	19"	Safe	Model	Order no.	UP
683		9	•					03.314.009.1	1 unit
483		5	•		•			03.314.005.1	1 unit

Dimensions in mm: W= Width
 H = Height
 D = Depth
 h = Installation height
 d = Useful depth
 L = Length
 S = Switch
 n = Number of sockets

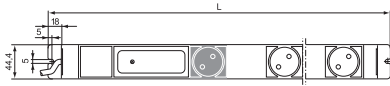
HU = Standard height unit, 1 HU = 44.45 mm
 19" = 482.6 mm, (ideal for 19" components in acc. with DIN 41494)
 F1 = Standard side
 F2 = Design side
 Safe = Child-safe
 UP = Unit of packaging

Conversion: 1 inch = 25.4 mm
 1 pound = 453,6 g
 Replace „x“ with the number of your color choice

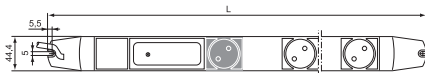


DOS00325

with master-slave
overvoltage protection
and mains filter



DOS00272



DOS00273

with master-slave
overvoltage protection
and mains filter

Knürr DI-STRIP® Combi Standard DIN 49 440

- Master-slave with overvoltage protection and mains filter
- Automatic switching of equipment with integrated overvoltage protection and mains filter
- Joint functions of the master-slave (page 56) and the safety standard (page 55)
- Socket rotation: 45°
- Cable feed: H05VV-F 3G 1.5 mm²
- Moulded right angle plug

Material / Finish

Casing: closed sheet-steel extrusion, zinc-plated, powder-coated texture
Plastic parts: polyamide PA6 (UL 94 V0), recyclable
Internal conductor: full-length busbar, brass
Cable feed: PVC

Dimensions

Socket spacing: 50 mm
Height: 45.5 mm
Casing width: 44.4 mm (= 1 HU)
Cable feed: 2.5 m

Approvals

CE label in accordance with the low potential guideline 2006/95/EWG, EMC guideline 89/336/EWG
BVVG

Colour

RAL 7035 light-grey
Plastic parts: RAL 7035 light-grey

Technical data

Overvoltage protection and mains filter:
Mains voltage: 230 VAC +/- 10 %
Nominal current 16A
Feature class: D (refined protection in accordance with DIN VDE 0675)
Surge current resistance (8/20 μs wave): max. 10 kA
Protection level (1.5/50 μs wave): < 1500 V (L/N against PE)
Mains filter (high-stop): attenuation at 1 MHz: > 45 dB
Master-slave function:
Threshold setting range
On: 20 mA - 200 mA (approx. 55 mA, supply status)
Off: 16 mA - 160 mA (approx. 44 mA, supply status)
Switching delay 550 ms +/- 20 %
Electronic module, 2-pole switching

Supply schedule

1 Socket strip
2 Mounting brackets

L	S	n	F1	F2	19"	Safe	Model	Order no.	UP
782		9		•				03.320.109.1	1 unit
733		9	•					03.320.009.1	1 unit
582		5		•		•		03.321.105.1	1 unit
582		5		•				03.320.105.1	1 unit
533		5	•					03.320.005.1	1 unit



DOS80002

Knürr DI-STRIP® Ampere Meter (M)

- With remote interface (only RM-Version)
- With big transparent LCD display
- Effective value display of alternating currents per phase (1-phase or 3-phase, depending on model)
- LCD display rotation in 90° steps
- Unbalanced-load warning display with 3-phase model
- Load changes signaling
- Automatic background light reduction
- Cable: 4m H05VV-F 5 G 4mm² (PizzaPower M)
- Cable: 2.5m H05VV-F 5 G 2.5mm² (TriplePower M)
- Cable: 2.5m H05VV-F 3G 1.5mm² (DI-STRIP Compact M, DI-STRIP IEC320 M)

Material/ Finish

PizzaPower® model:
Housing: Sheet steel, zinc-passivated, powder-coated
Other models:
Housing: closed sheet steel extrusion, zinc-passivated, powder-coated texture
Plastic parts: Vampamid 6 0024 VO (UL94), recyclable

Approvals/certificates

- CE label in accordance with low voltage guideline 2006/95/EWG
- EMC Directive 2004/108/EC: EN61326-1, EN61000-3-2, EN61000-3-3
- FCC Class B
- CSA NRTL (PizzaPower m, TriplePower M, IEC320 M)
- CB-Scheme (TriplePower M, DI-STRIP compact M, IEC320M, ampere meter GST18i)

Color

PizzaPower M model:
Housing: RAL 9005 black
Other models:
Housing: RAL 7035 light gray
Plastic parts: RAL 7021 dark gray

Supply schedule

- 1 socket strip with ampere meter
- 2 mounting brackets
- 2 19" mounting brackets (with 19" installation option)

Note

- Other models (e.g. Sheet J outputs) on request

Knürr DI-STRIP® M (only local)

L	Type	Input values	Input plug	Outputs IEC60320			Order no.	UP
				Sheet F	Sheet J	Schuko		
483	DI-STRIP® PizzaPower® M	230Vac, 32A	IEC60309 1ph/N/PE 6h	7			03.636.007.1	1 unit
933	DI-STRIP® PizzaPower® M	230/400Vac, 32A	IEC60309 3ph/N/PE 6h	21			03.636.021.1	1 unit
1033	DI-STRIP® TriplePower® M	230/400Vac, 16A	IEC60309 3ph/N/PE 6h	21			03.606.821.1	1 unit
1833	DI-STRIP® TriplePower® M	230/400Vac, 16A	IEC60309 3ph/N/PE 6h	45			03.606.845.1	1 unit
1133	DI-STRIP® TriplePower® M	230/400Vac, 16A	IEC60309 3ph/N/PE 6h	18	6		03.606.824.1	1 unit
1733	DI-STRIP® TriplePower® M	230/400Vac, 16A	IEC60309 3ph/N/PE 6h	36	6		03.606.842.1	1 unit
483	DI-STRIP® Compact M	230Vac, 16A	Schuko			6	03.306.006.1	1 unit
483	DI-STRIP® IEC320 M	230Vac, 16A	Schuko	9			03.606.009.1	1 unit
233	DI-STRIP® Ampermeter	230Vac, 16A	GST18				03.606.200.1	1 unit

Dimensions in mm: W= Width
H = Height
D = Depth
h = Installation height
d = Useful depth
L = Length
S = Switch
n = Number of sockets

HU = Standard height unit, 1 HU = 44.45 mm
19" = 482.6 mm, (ideal for 19" components in acc. with DIN 41494)
F1 = Standard side
F2 = Design side
Safe = Child-safe
UP = Unit of packaging

Conversion: 1 inch = 25.4 mm
1 pound = 453.6 g
Replace „x“ with the number of your color choice

19" Accessories

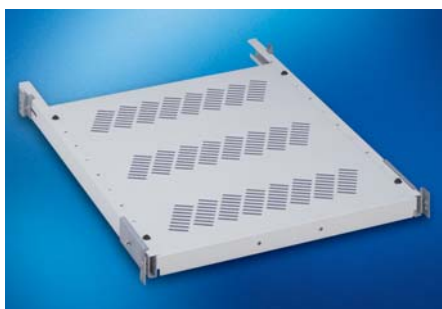
65 to 76



19" Accessory Range

Shelves	67
Handels	68
Drawers	69
Writing board	69
Front panel	70
Ventilation front panel	71
Front ventilation screen	72
Trim filter	72
Chassis runner	73
Distribution box	74
Cable ports	74
19" Frame insert	75
Modular frame	75





MEC00451

19" Shelves, Fixed

- Ideal adaptation to special applications (high rear space requirement for cable routing, large usable size) through positioning of the extension boards in 50 mm increments
- Integrated mounting bore holes front and rear for handle or hinged cable routing
- With perforation to optimise air supply

Load rating
500 N static

Material / Finish
Sheet steel 1.0 mm, electroplated with zinc, powder-coated texture

Colour
RAL 7035 light-grey

Supply schedule
1 Shelf board
1 Extension board (from depth 600 mm)
2 Carrier rails, incl. mounting bracket
Mounting material

How supplied
Flat packed

W	H	D	d	Order no.	UP
430		300	365,0	01.102.001.1	1 set
430		300	448,5	01.102.002.1	1 set
430		300	497,0	01.102.002.1	1 set
430		500	518,0	01.102.003.1	1 set
430		500	566,5	01.102.003.1	1 set
430		600	615,0	01.102.004.1	1 set
430		600	648,5	01.102.004.1	1 set
430		600	697,0	01.102.004.1	1 set
430		600	718,0	01.102.005.1	1 set
430		600	766,5	01.102.005.1	1 set
430		600	815,0	01.102.005.1	1 set



MEC00452

19" Shelves, Part Pull-out

- Individual configuration of your shelf (with extension boards and mounting rails and telescopic slides)
- Integrated mounting bore holes front and rear for handle or hinged cable router
- Unrestricted ventilation and mounting of equipment with integrated perforation
- Telescopic slide, partial extension two-link lock-in lock-out in extended status, quick separation facility, for removal and connection of the shelf board without tools

Load rating
500 N static

Material / Finish
Sheet steel 1.0 mm, electroplated with zinc, powder-coated texture

Colour
RAL 7035 light-grey

Supply schedule
1 Shelf board
1 Pair of telescopic slides
Mounting material
1 Shelf board
1 Extension board (from depth 600 mm)
1 Pair of telescopic slides
Mounting material

How supplied
Flat packed

W	H	D	d	Order no.	UP
430		360	365 – 565	01.102.042.1.001	1 set
430		560	565 – 750	01.102.043.1.001	1 set

Dimensions in mm: W= Width
H = Height
D = Depth
h = Installation height
d = Useful depth
L = Length

HU = Standard height unit, 1 HU = 44.45 mm
19" = 482.6 mm, (ideal for 19" components in acc. with DIN 41494)
UP = Unit of packaging
kg = Weight

Conversion: 1 inch = 25,4 mm
1 pound = 453,6 g

Replace „x“ with the number of your color choice



MEC00462

19" Shelves, Full Extension

- Ideal adaptation to special applications (high rear space requirement for cable routing, large usable size) through positioning of the extension boards in 50 mm increments
- Integrated mounting bore holes front and rear for handle or hinged cable routing
- Easy access to all equipment through full extension with identical board sizes such as fixed shelf
- With perforation to optimise air supply

Load rating
500 N static

Material / Finish
Sheet steel 1.0 mm, electroplated with zinc, powder-coated texture

Colour
RAL 7035 light-grey

Supply schedule
1 Shelf board
1 Extension board (from depth 600 mm)
1 Pair of telescopic slides, full extension
Mounting material

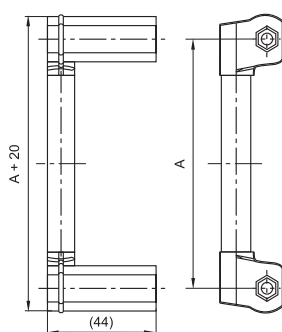
How supplied
Flat packed

Important
Also order the adapter bracket set for mounting the full extension boards:
Order no. 01.350.360.9

W	H	D	d	Order no.	UP
430		360	365 – 565	01.102.040.1.001	1 set
430		560	565 – 750	01.102.041.1.001	1 set



MEC00103



MEC00102

Handles

- Suitable for shelves and heavy-duty shelves
- With internal thread, M5

- Material**
 Die-cast aluminium consoles
 Handle extrusions of extruded aluminium
 Caps of ABS UL 94 HB

- Finish**
 Handle, powder-coated, grey blue
 RAL 5008 / Cap, light-grey RAL 7035

- Supply schedule**
 2 Handles

W	H	D	Order no.	UP
			00.050.503.1	1 set

Dimensions in mm: W= Width
 H = Height
 D = Depth
 h = Installation height
 d = Useful depth
 L = Length

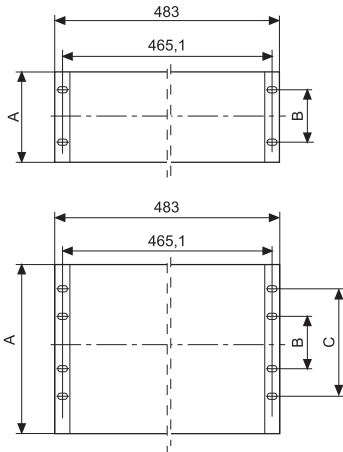
HU = Standard height
 unit, 1 HU = 44.45 mm
 19" = 482.6 mm,
 (ideal for 19" components
 in acc. with DIN 41494)
 UP = Unit of packaging
 kg = Weight

Conversion: 1 inch = 25,4 mm
 1 pound = 453,6 g

Replace „x“ with the number of your
 color choice



FRO00005



MEC00028

19" Front Panel Aluminium 3 mm

Material / Finish

Final digit of order number .0:
AlMg3 - F23 polished with lamination sheet
Final digit of order number .1:
AlMg3 - F23, powder-coated RAL 7035
Final digit of order number .6:
AlMg3 - F23 EB (anodising-capable),
anodised E6/EV1

Supply schedule

1 19" Front panel

A	B	C	HU	Model	Order no.	UP
46,3	31,7		1	polished	02.008.021.0	1 unit
88,1	76,2		2	polished	02.008.022.0	1 unit
132,5	57,1		3	polished	02.008.023.0	1 unit
177,0	101,6		4	polished	02.008.024.0	1 unit
221,4	146,0		5	polished	02.008.025.0	1 unit
265,9	76,2	190,4	6	polished	02.008.026.0	1 unit
46,3	31,7		1	powder-coated	02.008.021.1	1 unit
88,1	76,2		2	powder-coated	02.008.022.1	1 unit
132,5	57,1		3	powder-coated	02.008.023.1	1 unit
177,0	101,6		4	powder-coated	02.008.024.1	1 unit
221,4	146,0		5	powder-coated	02.008.025.1	1 unit
265,9	76,2	190,4	6	powder-coated	02.008.026.1	1 unit
46,3	31,7		1	anodised	02.008.071.6	1 unit
88,1	76,2		2	anodised	02.008.072.6	1 unit
132,5	57,1		3	anodised	02.008.073.6	1 unit
177,0	101,6		4	anodised	02.008.074.6	1 unit
221,4	146,0		5	anodised	02.008.075.6	1 unit
265,9	76,2	190,4	6	anodised	02.008.076.6	1 unit

Dimensions in mm: W= Width
H = Height
D = Depth
h = Installation height
d = Useful depth
L = Length

HU = Standard height
unit, 1 HU = 44.45 mm
19" = 482.6 mm,
(ideal for 19" components
in acc. with DIN 41494)
UP = Unit of packaging
kg = Weight

Conversion: 1 inch = 25,4 mm
1 pound = 453,6 g
Replace „x“ with the number of your
color choice



19" Ventilation Front Panel

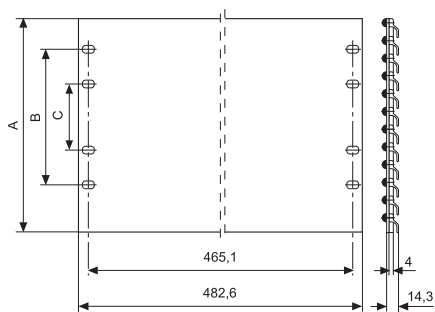
- For additional ventilation of 19" racks and 19" pedestals in accordance with IEC 297

Material
Aluminium

Finish
- Final digit of order number .1:
powder-coated, light-grey RAL 7035
- Final digit of order number .6:
colourless, anodised E6 / EV 1

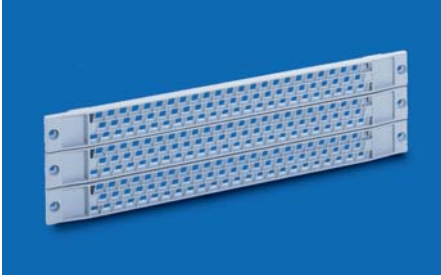
Supply schedule
1 Ventilation front panel

LUF00217

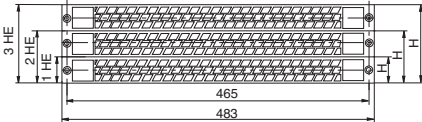


MEC00027

A	B	C	HU	Model	Order no.	UP
43,6	31,7		1	powder-coated	02.008.101.1	1 unit
132,5	57,1		3	powder-coated	02.008.103.1	1 unit
43,6	31,7		1	anodised	02.008.101.6	1 unit
132,5	57,1		3	anodised	02.008.103.6	1 unit



LUF00218



LUF00093

19" Front Ventilation Screen

- For additional ventilation of 19" racks and 19" pedestals in accordance with IEC 297

Material/Finish
ABS (UL 94 V-0), light-grey RAL 7035

Supply schedule
1 Front ventilation screen

H	HU	Model	Order no.	UP
43,6	1		02.008.111.1	1 unit

Trim filter For 19" front ventilation screen

Material
Filter fabric and wire netting

Supply schedule
1 Trim Filter
Mounting material

H	HU	Model	Order no.	UP
43,6	1		02.008.131.9	1 unit

Dimensions in mm: W= Width
 H = Height
 D = Depth
 h = Installation height
 d = Useful depth
 L = Length

HU = Standard height unit, 1 HU = 44.45 mm
 19" = 482.6 mm, (ideal for 19" components in acc. with DIN 41494)
 UP = Unit of packaging
 kg = Weight

Conversion: 1 inch = 25,4 mm
 1 pound = 453,6 g

Replace „x“ with the number of your color choice



MEC20189

19" Chassis Runner for Knürr Dacobas®

- For Knürr Dacobas® 19" products
- As solid base for 19" chassis
- Required for heavy-duty and deep chassis

Material
Extruded aluminum extrusion

Finish
Polished

Supply schedule
2 chassis runners with mounting material
Suitable for mounting on Knürr Dacobas®
19" extrusion

d	L	Model	Type	Order no.	UP
448,5	408,5	for 19" cabinet		01.350.906.9	1 unit
518,0	478,0	for 19" cabinet		01.350.910.9	1 unit
566,5	526,5	for 19" cabinet		01.350.909.9	1 unit
648,5	608,5	for 19" cabinet		01.350.907.9	1 unit
718,0	678,0	for 19" cabinet		01.350.912.9	1 unit
766,5	726,5	for 19" cabinet		01.350.911.9	1 unit
497,0	457,0	for 19" pedestal and mobile 19" units		01.350.965.9	1 unit
566,5	526,5	for 19" pedestal and mobile 19" units		01.350.909.9	1 unit
615,0	575,0	for 19" pedestal and mobile 19" units		01.350.914.9	1 unit
697,0	657,0	for 19" pedestal and mobile 19" units		01.350.964.9	1 unit
766,5	726,5	for 19" pedestal and mobile 19" units		01.350.911.9	1 unit
815,0	775,0	for 19" pedestal and mobile 19" units		01.350.913.9	1 unit
365,0	325,0	for 19" workstation components		01.350.908.9	1 unit
221,0	176,5	for 19" cabinet with 2nd mounting level		01.350.956.9	1 unit
291,0	246,5	for 19" cabinet with 2nd mounting level		01.350.957.9	1 unit
339,0	294,5	for 19" cabinet with 2nd mounting level		01.350.958.9	1 unit
421,0	376,5	for 19" cabinet with 2nd mounting level		01.350.959.9	1 unit
491,0	446,5	for 19" cabinet with 2nd mounting level		01.350.960.9	1 unit
539,0	494,5	for 19" cabinet with 2nd mounting level		01.350.961.9	1 unit



HEI00379

Distribution Box

- For mounting installation technology DIN rail components, such as fuses, clamps, relays, etc.
- In the built-in status, the mounting level can be pulled out at the front, locked in position, and as a result, significantly simplifies the wiring of the individual components
- Not with "fixed installation" model
- On request: Delivered assembled and wired
- Further versions and models on request
- Installation space for up to 22 pieces of equipment with 18 mm width each
- Mounting of the TS35 DIN rail on several levels with simple plug-in connection
- Not with "fixed installation" model
- "Snap-in" mounting of DIN rail components
- Easy access to the protective earth and neutral conductor rails from the front
- Various positioning options prepared for N and PE rails
- Not with "fixed installation" model
- Cable entry at the rear via double brush strip (optionally via bushing sockets)
- Cable strain relief on the inside and therefore accessible from the front
- Labeling strips on the front, above and below

- the installation space
- Installation options for power distribution with 230 V AC, but also in the low voltage range (e.g. 48 V DC)
- 19" chassis, 3 HU, depth 150 mm

Material/finish

- Covers, powder-coated texture
- RAL 7035 light gray
- Main unit, sheet steel, zinc-passivated

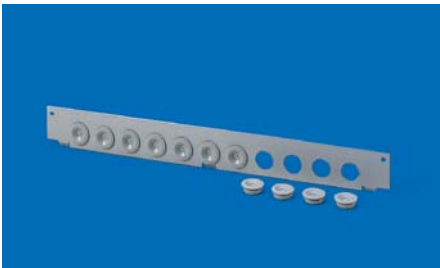
Supply schedule

- 1 distribution box
- Including N and PE rails, cable entry, cable strain relief, empty panel covers and earth set

How supplied

- Fully assembled

W	H	D	Model	Order no.	UP
19"	3 HE	150 mm	Pull-out	03.013.385.1	1 unit



HEI00234

Cable ports

Alternative to cable entry via brush strip with mounting of distribution box in open racks

Material/finish

- Sheet steel, zinc-passivated

Supply schedule

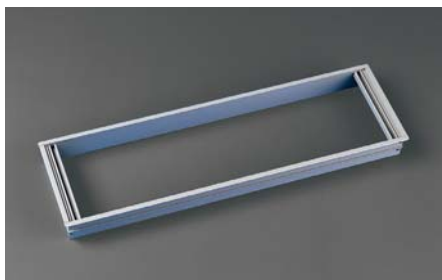
- 1 cable port panel
- 11 bushing sockets
- Mounting material

W	H	D	Model	Order no.	UP
				03.013.386.1	1 unit

Dimensions in mm: W= Width
 H = Height
 D = Depth
 h = Installation height
 d = Useful depth
 L = Length

HU = Standard height unit, 1 HU = 44.45 mm
 19" = 482.6 mm, (ideal for 19" components in acc. with DIN 41494)
 UP = Unit of packaging
 kg = Weight

Conversion: 1 inch = 25,4 mm
 1 pound = 453,6 g
 Replace „x“ with the number of your color choice



DAC00481

19" Frame Insert

- For workstation and console mounting

Material
Extruded aluminium

Colour
RAL 7035 light-grey

Supply schedule
1 19" Frame insert
Mounting material

How supplied
Flat packed kit

H	HU	Order no.	UP
132,5	3	01.314.100.1	1 unit
221,4	5	01.314.102.1	1 unit
265,9	6	01.314.101.1	1 unit
354,8	8	01.314.103.1	1 unit

ESD Accessories

77 to 85



Knürr Rapomos® Equipment Carrier Superstructure Strong points



1 EAP20039



1 EAP20016



3 RAP00193



2 RAP00133

1 The Knürr Rapomos® Equipment Carrier extends the basic desk (Knürr Dacobas® and Knürr Elicon®) with additional installation options of electronic components that are over the 91 mm installation depth in the 19" and horizontal pitch raster.

2 Flexibility
The Knürr Rapomos® superstructures can be easily and flexibly equipped with modular electronic components and 19" plug-in units.

- Individual combination and positioning of the functional modules/components in the equipment carrier.
- Fast start-up with preassembled and pre-wired equipment carrier units.
- Easy swap-out of modules in the Knürr Rapomos® Equipment carrier.

Electrical safety
The Knürr Rapomos® Equipment Carrier is a sheet steel construction for improved heat dissipation, shielding and electrical safety.

- Antistatic powder-coating on every level provides optimum protection of electronic components.
- All functional modules are CE-compliant and conform with the European standards concerning safety and EMC.

3 Mechanical safety
Additional load rating of the fully equipped 19" superstructure of max. 750N over the entire width.

INFO

Find more information in the brochure:
Workstations For Electronic Engineers

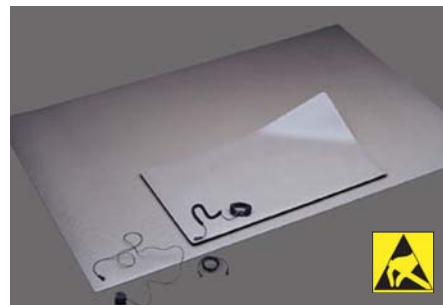


ESD Components Static-safe-set

- Complies with DIN EN 100 015 and VDE 0104
- Includes the basic components required for equipping a workstation for electrostatic protection

- Technical data**
 - Surface resistance in accordance with EN 100 015 $\lt 10^7 \Omega$
 - Connection contacts: press studs, 4.5 mm

- Supply schedule**
 - Floor mat, 1200x1800 mm, wheelchair compatible
 - Desk mat 600x900 mm, heat-resistant up to 500°C
 - Earth armband, variable adjusting, 1 MOhm protective resistance on the armband side
 - Earth cable, 1.5 m with connection



SAM00346

Model	Order no.	UP
Static safe set	01.346.010.9	1 unit
ESD grounding cable + DR/Schuko Socket	01.346.042.9	1 unit
ESD grounding cable + Tenax/Schuko Socket	01.346.045.9	1 unit
ESD Desk mat 600 x 900 x 2	01.346.036.3	1 unit
ESD Floor mat 1200 x 1800 x 2,5	01.346.035.3	1 unit
ESD grounding connection cable	01.346.043.9	1 unit



DAC00064



DAC00065

ESD Textile Wristband Allergy-free

- Wristband**
Highly elastic, washable (40°), skin-sensitive textile fabric
- Spiral cable**
(Length, 1.3 m)
With protective resistance (1 MOhm), ensures a safe connection for the desk mat (press studs, 4.0 mm and 4.5 mm)

- Supply schedule**
1 wrist connection armband
1 spiral cable

W	H	D	Model	Order no.	UP
				01.346.033.9	1 unit

Dimensions in mm: W= Width
H = Height
D = Depth
h = Installation height
d = Useful depth
L = Length

HU = Standard height unit, 1 HU = 44.45 mm
19" = 482.6 mm, (ideal for 19" components in acc. with DIN 41494)
UP = Unit of packaging
kg = Weight

Conversion: 1 inch = 25,4 mm
1 pound = 453,6 g
Replace „x“ with the number of your color choice

Dimensions in mm: W= Width

H = Height
D = Depth
h = Installation height
d = Useable depth
L = Length
Ø = Diameter

Conversion: 1 mm = 0.03937 inch
1 kg = 2.2046 pound

HU = Standard height unit,
1 HU = 44.45 mm

HP = Horizontal pitch
OU = Office unit
UP = Unit of packaging
kg = Weight



ELM00033

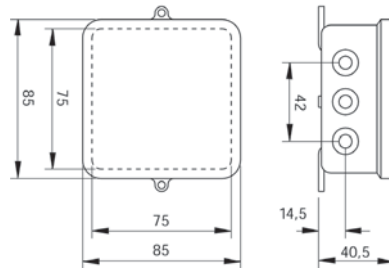
Cable Junction Box

- For 230V electro-installation on-site
- As fixed-location exchange point
- Quick and easy mounting
- Complete with mounting material

Supply schedule

- 1 cable junction box
- 1 mounting bracket
- Mounting material

W	H	D	Order no.	UP
			00.078.720.9	1 unit



ELM00034



ELM00128

Modular Terminal Box

- For 230V electro-installation on-site
- With series terminal, 8 x 42
- Pg 11/16 entry
- IP 54

Material

High-impact, fire-resistant polystyrene

Supply schedule

- 1 modular terminal box
- 4 Pg compression glands, Pg11

W	H	D	Order no.	UP
			01.117.521.9	1 unit



ERG20061

RJ 45 Network Port CAT 6

- For mounting in the technical pedestal
- With retaining bracket

Color

Socket: RAL 9010 pure white

Supply schedule

- 1 on plaster socket
- 1 mounting bracket
- Mounting material

W	H	D	Order no.	UP
			01.350.553.9	1 unit

Dimensions in mm: W= Width
 H = Height
 D = Depth
 h = Installation height
 d = Useful depth
 L = Length
 HU = Standard height unit, 1 HU = 44.45 mm
 19" = 482.6 mm, (ideal for 19" components in acc. with DIN 41494)
 UP = Unit of packaging
 kg = Weight

Conversion: 1 inch = 25,4 mm
 1 pound = 453,6 g
 Replace „x“ with the number of your color choice



ELM00114

Equipotential Bonding Bar

- For central earthing of all protective conductors
- With sealing cover
- Connection options:
 - 1 x round conductor 8-10 mm Ø
 - 1 x flat conductor up to 30 mm wide or round conductor 8-10 mm Ø
 - 7 x one or several-wire conductors up to 16 mm² or fine wire conductor up to 10 mm²

Material
Base and cover, high-impact plastic
Contact strip, brass, nickel-plated

Supply schedule
1 equipotential bonding bar

W	H	D	Order no.	UP
			01.117.524.3	1 unit



MEC20025

Velcro Strip with Plastic Eyelet

- For mounting non-standard components
- For bundling cables

Material
Polyamide

Colour
Black

Supply schedule
20 Velcro strips

How supplied
Flat-packed kit

W	H	D	L	Order no.	UP
16			300	01.240.550.9	20 units



MEC20154

Cable Cantilever Girder

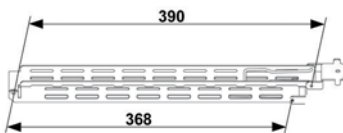
- For simple mounting in rack/on the shelf; quick connecting to and disconnecting from shelf or rack with a spring clip
- Guarantees defined and kink-free cable management
- Minimum space requirement behind the pushed-in shelves, 40 mm

Material
Sheet steel, 1.5 mm, zinc-passivated

Supply schedule
1 cable cantilever girder
Mounting material

How supplied
Flat-packed kit

W	H	D	Type	Order no.	UP
			2-piece	05.040.096.0	1 unit



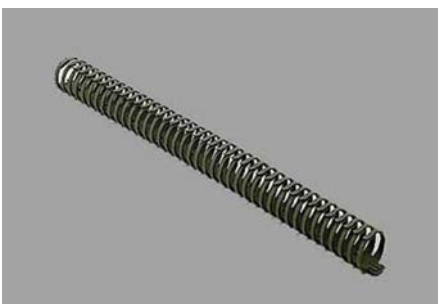
MEC88005

Cable Routing Set

- For cable routing on, for example, the T-slots of the Knürr extrusions

Supply schedule
1 spiral cable
Mounting material

How supplied
Flat-packed kit



MOB00241

D	L	Model	Order no.	UP
40	500	gray	01.350.543.9	1 unit
20	500	gray	01.350.542.9	1 unit
40	500	black	01.350.545.9	1 unit



ELM00025

Cable Routing Ring

- For tidy and orderly cable management
- Open version, no threading
- Mounting on the T-slots of the vertical extrusions
- Installation position freely selectable

Material/finish
PA 6, GF 10, gray, UL 94-V1

Supply schedule
5 cable routing rings
Mounting material

How supplied
Flat-packed kit

W	H	D	Model	Order no.	UP
			54 x 118 mm	01.312.207.9	5 unit



MEC20158

Cable Routing Set

- For tidy and orderly cable management
- Dimensions:
External - 61 mm x 42.5 mm
Internal - 52 mm x 23 mm

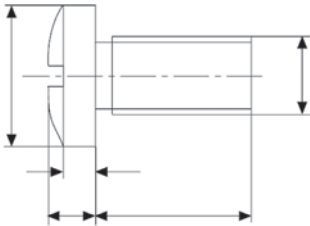
Material/finish
PA 6, GF 30, gray

Supply schedule
10 cable routers

How supplied
Flat-packed kit

Note
Please also order the appropriate mounting material.

W	H	D	Model	Order no.	UP
			Screw-on	05.040.113.9	10 unit
			Plug-in	05.040.112.9	10 unit



MEC00014

Oval Head Screw With Phillips head

- IEC DIN EN ISO 7045

Supply schedule
1 set of 50 units

W	H	D	L	Model	Order no.	UP
			8	M 4 no washer	05.041.607.8	1 set
			8	M 5 no washer	05.041.611.8	1 set
			12	M 4 no washer	05.041.609.8	1 set
			12	M 5 + washer	05.041.613.8	1 set
			16	M 5 + washer	05.041.614.8	1 set
			16	M 6 + washer	05.041.616.8	1 set

Dimensions in mm: W = Width
H = Height
D = Depth
h = Installation height
d = Useful depth
L = Length

HU = Standard height unit, 1 HU = 44.45 mm
19" = 482.6 mm, (ideal for 19" components in acc. with DIN 41494)
UP = Unit of packaging
kg = Weight

Conversion: 1 inch = 25,4 mm
1 pound = 453,6 g
Replace „x“ with the number of your color choice



MEC20185

Quick-Strip Velcro strip for T-slot mounting without tools

- Quick fixing without tools
- For bundling cables
- Can be released and used again
- For orderly cable management
- For fixing into T-slots at any position

Material
Polyethylene and Nylon
F.R.T., UL-94 HB

Color
Black

Supply schedule
10 Quick-Strip Velcro strips

How supplied
Flat-packed kit

W	H	D	Order no.	UP
			00.218.506.0	1 set



MEC20187

Quick-Clamp plastic jumpering bracket for T-slot mounting without tools

- Quick fixing without tools
- For orderly cable management
- Open version, no threading
- For fixing on T-slots at any position

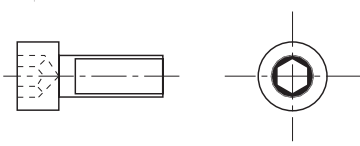
Material
Nylon
F.R.T., UL-94 HB

Color
Black

Supply schedule
10 plastic jumpering brackets

How supplied
Flat-packed kit

W	H	D	Order no.	UP
			00.218.505.0	1 set



MIR00121

Cylinder Screw M6 x 10 self-securing

- Use with spring nuts for chassis runner mounting

Supply schedule
1 set of 100 units

Order no.	UP
01.350.402.9	1 set

Phillips Head Screw With washer

Model	Order no.	UP
Thread M6 x 12	01.350.401.9	1 set

Type 1 / Type 3



MEC20129

Front panel mounting kit, T-slot, M5 wide

- For mounting 19" front panels and 19" components

Supply schedule

- Type 1:**
50 spring nuts, M5 wide
50 oval head screws, Z-form, M5 x 10
- Type 2:**
50 spring nuts, M5 wide
50 countersunk screws, M5 x 12
50 rosettes

Type 3:

- 50 spring nuts, M6 wide
50 oval head screws, Z-form, M6 x 10

Type 4:

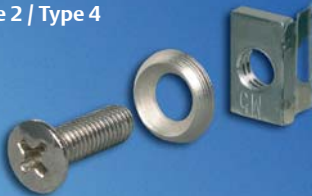
- 50 spring nuts, M6 wide
50 countersunk screws, M6 x 14
50 rosettes

How supplied

Flat-packed kit

W	H	D	Model	Order no.	UP
			Type 1: Z-form screw	05.041.335.9	1 set
			Type 2: Screw + rosette	05.041.340.9	1 set
			Type 3: Z-form screw	01.350.429.9	1 set
			Type 4: Screw + rosette	01.350.430.9	1 set

Type 2 / Type 4



MEC20130

Spring Nut

- For clipping into T-slots at any position

Supply schedule

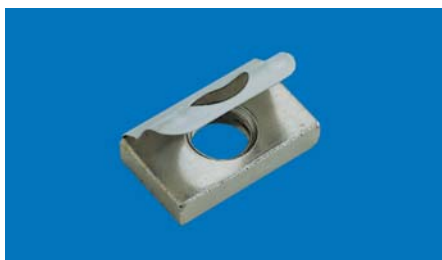
50 spring nuts

How supplied

Flat-packed kit

- Type 1:** M5 wide
T-nut size: 10 x 13 mm
- Type 2:** M5 narrow
T-nut size: 8 x 13 mm
- Type 3:** M6
T-nut size: 10 x 13 mm

W	H	D	Model	Order no.	UP
			Type 1: M5 wide	01.350.431.9	1 set
			Type 2: M5 narrow	05.041.503.9	1 set
			Type 3: M6	01.350.405.9	1 set



MEC00060

Dimensions in mm: W= Width
H = Height
D = Depth
h = Installation height
d = Useful depth
L = Length

HU = Standard height unit, 1 HU = 44.45 mm
19" = 482.6 mm, (ideal for 19" components in acc. with DIN 41494)
UP = Unit of packaging
kg = Weight

Conversion: 1 inch = 25,4 mm
1 pound = 453,6 g
Replace „x“ with the number of your color choice



MEC20140

Oval Head Screw

- IEC DIN 967

■ **How supplied**
Flat-packed kit

■ **Supply schedule**
50 oval head screws, Z-form

W	H	D	Model	Order no.	UP
			M5 x 10	05.041.330.9	1 set
			M5 x 16	05.041.331.9	1 set
			M6 x 10	05.041.332.9	1 set
			M6 x 16	05.041.333.9	1 set



MEC20141

Countersunk Screw + Rosette

- IEC DIN EN ISO 7047

■ **How supplied**
Flat-packed kit

■ **Supply schedule**
50 countersunk screws
50 rosettes

W	H	D	Model	Order no.	UP
			M5 x 12	05.041.203.9	1 set
			M5 x 16	05.041.290.9	1 set

WE PUT SPACE TO WORK. WORLDWIDE

Emerson is based in St. Louis, Missouri (USA), and as a leading technology and development specialist provides globally innovative customer solutions to industry, business and consumer markets in the areas of network power supply, process management, industrial automation and thermal management, as well as the corresponding equipment and tools.

The Knürr Technical Furniture manufactures and develops workstations for electronics labs and mobile equipment carriers for healthcare and automotive industries. Furthermore Knürr is the specialist for height adjustable control room workstations.

www.emerson.com
www.technical-furniture.com

Knürr Technical Furniture GmbH
Mariakirchener Straße 38
94424 Arnstorf • Germany
T +49 8723 28 0
F +49 8723 28 138
furniture@knuerr.com

While every precaution has been taken to ensure accuracy and completeness in this literature, InterMetro Industries Corporation assumes no responsibility and disclaims all liability for damages resulting from use of this information or for any errors or omissions.

The Emerson Logo is a trademark and a service mark of Emerson Electric Company.
©2012 Emerson Electric Co.

