

Knürr Synergy[®]

The New Product Family For Uniform Equipment In Your Control Room

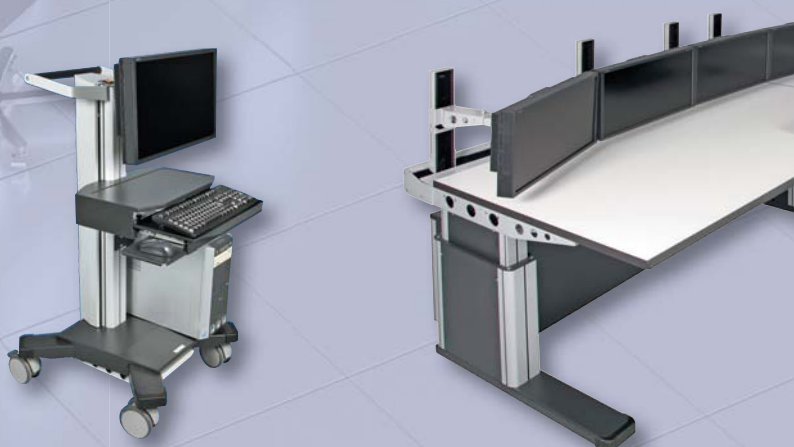
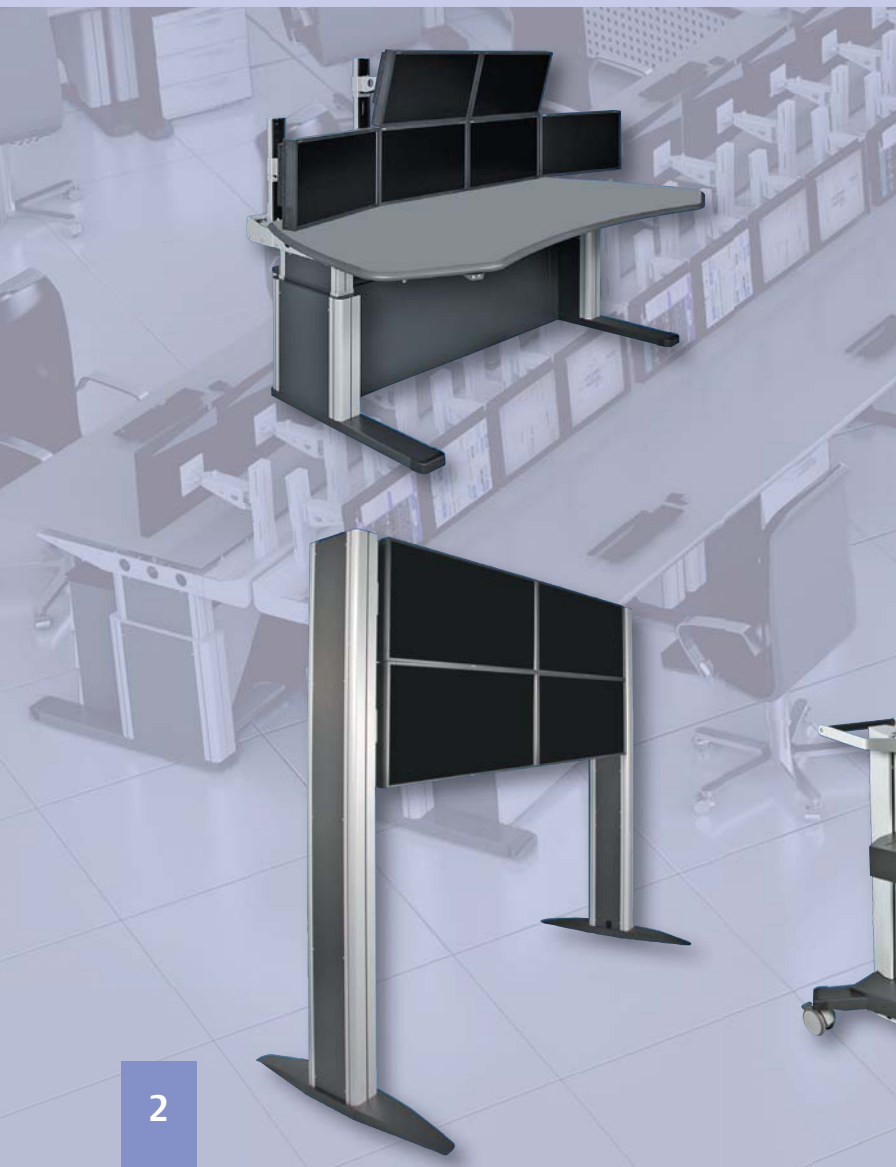


Knürr Synergy® The New Product Family

Knürr offers a product family for uniform equipment and furnishing in the control room in a full-coverage modern design.

In **Knürr SynergyConsole®**, **Knürr SynergyWall®** and **Knürr SynergyCart®** unmistakable design elements complement one another to provide user-oriented technology. Everything functions as if from one single cast, and rounds off the image of a modern control or measuring station.

The modern **Knürr Synergy®** control room concept actively contributes to **increased efficiency** through better attentiveness. Less fatigue and full employee concentration are the requirements for effective working in safety-relevant areas.





The well-balanced contouring of the new **Knürr Synergy Console®** offers ideal dimensions for monitor workstations and supports the cockpit arrangement of flat screens.

The basic console is already manually height-selectable. The power-operated height-adjustable **Knürr Synergy Console®** is a sit-stand workstation that optimally meets current requirements and specifications. The control room is consequently equipped for the future.

Knürr Synergy®

Knürr SynergyConsole®

Strong points	5
Desk system	6
Sit/Stand Workstation	8
Single Desk	10
Starter Desk	12
Link-up/End Desk	14
Middle Link-up Desk	16
Add-on Desk	18
Corner Piece	22
Accessories	23
Modular Console Concept	29

Knürr SynergyWall®

Strong points	30
Complete Configuration	31
Basic Frame	31
Side Panel	32
Cross Support	32
Monitor Holder	33

Knürr SynergyCart®

Strong points	34
Computer Trolley	35
Laptop Trolley	36
Equipment Trolley	37
Basic Frame	38
Worktop	39
Keyboard Extension	40
Drawer	40
Cable Duct	41
Tray Shelf	41
Main Switch Module	42
Cover Extrusion (cable duct)	42
Holder for PC Tower Enclosure	43
Holder for Infusion Stands	43
Transformer Tray	43

Knürr SynergyConsole® Strong points

Standards compliance and ergonomics

The fully compliant ergonomic leg space enables free movement of the chair in the link-up area.

Spacious 1000 mm desk depth for placing large monitors.

Compliance with the latest standards and specifications:

- Manually height-selectable, even in the basic version (650 – 850 mm)
- Electric height-adjustable, from 650 to 1250 mm

Manually height-selectable, even in the basic version

Even height-selectable in the basic version is manual via locking bolts, from 650 mm to 850 mm.

The height is pre-mounted at the factory and can be changed later on.



SYN20041

Electric sit-stand setting

- Running very quietly and smoothly, the work height can be set individually and stepless between 650 and 1250 mm
- Stepless height adjustment and quiet lifting mechanism
- Individually programmable height positions and speeds for various users
- Intermediate stop and slow mode when nearing end position
- Overload protection with individual current limiting
- In service cases: Fault identification with special codes, remote

diagnostics setup, automatic detection of drives, swapping out the lifting columns during running operation, free access from outside via the removable side panels

Ergonomic and robust desktop edge

- Warm synthetic materials ensure a pleasant surface temperature to positively influence the user's sensation and perception on touching and seeing the surface
- Durable and robust materials ensure long service life
- The solid-colored material precludes visible damage

Ergonomically designed worktop shape

- The worktop specially designed for the Knürr SynergyConsole® sit-stand model provides ideal dimensions for monitor workstations and supports the cockpit arrangement of desk monitors

Material mix synergies

Wood as the material used and the ErgoEdge desktop edge provide a pleasantly warm surface and therefore contribute to the employees' wellbeing.



SYN20031



SYN20033



SYN20029



SYN20032

The interface to the technology feature robust aluminum and sheet steel to guarantee reliability and failure safety. The durable plastic cap as the stabilizer foot's end piece protects footwear and the stabilizer foot's surface coating, as it is made of a robust but sufficiently soft material. The Knürr SynergyConsole®'s exceptional eco-balance is clearly evident as all materials can be separated and recycled.

■ Cable routing

- The side covers of the desk side panels and the front and rear covers of the technical pedestal can be completely removed for cabling and installing equipment and devices
- Hidden and dust-protected cable entry from the monitor right into the technical pedestal
- Separate horizontal and vertical cable routing in cable basket trays and cable routing rings
- Cable duct bottom cover opening from the raised floor into the technical pedestal or into the side panels
- Spacious cable tray under the worktop for housing socket strips, switches and KVM extenders
- Cable chain pre-integrated into the sit-stand version in a side panel
- Spacious, two-way cable chain with separator available for additional cable routing between technical pedestal and cable trough; can also be mounted on the perforated rear panel

■ Flat screen adaption

- The docked monitor level with cover for fixing flat screen holders provides space for additional equipment and cables
- Also accessible with wall positioning
- The ergonomic monitor connection with depth-adjustable flat screen arms exclusively designed for the Knürr SynergyConsole® guarantees optimum viewing distances to the monitors
- Freely positionable monitor columns for horizontal setting
- Freely positionable heights for flat screen arms on the monitor columns

■ Spacious technical pedestal

- Excellent accessibility with removable front and rear covers
- For accepting 19" frames, mounting braces, chassis rails, computers and further equipment with full legroom in the width and depth

- Cables can be routed via the cable basket tray to the side panels through generously dimensioned outlets – separated for data and power supply
- The mounting braces enable the individual connection of non-standard equipment

■ Modular construction

Industrially produced modules can be upgraded and added to at all times; available to buy for many years to come
All installation modules are suitable for both the basic version and the sit-stand version.





SYN20042



SYN20034

Knürr SynergyConsole® Workstation System

Side panels

- The combination of interconnecting aluminum extrusions is the basis for the variable desk heights
- Height setting in the basic version is manual via locking bolts, from 650 mm to 850 mm
The height is pre-mounted at the factory and can be changed later on
- The electric-adjustable sit/stand version is fitted with 4 lifting columns for a high load rating and a stepless setting range from 650 to 1250 mm
- Easy to remove sheet steel covers ensure good accessibility to cabling and lifting columns
- Welded stable sheet steel stabilizer feet for optimum stability; durable plastic impact caps protect both footwear and the stabilizer feet
- Short stabilizer feet on the link-up desks enable maximum leg space

Desk tray

- The spaciously dimensioned sheet steel desk tray under the worktop ensures high stability and provides plenty of space for switches, cables and power supplies
- Good accessibility via the side panels, from the rear and below via cut-outs
- Connection option for a spacious cable chain, left and right
- With cover at the rear including brush strip for dust protected and out-of-view cabling (not required with mounted monitor level)

Worktops

Worktops with the tried, tested and proven ErgoEdge impact edge with HP laminate surfaces enable high load ratings and ensure a long console desk service life.

The worktops are continuous or can be height-adjusted by raising the front worktop from 0 to 70 mm in steps of 10 mm via variable positions of the worktop stabilizers. Monitor level depth: 400 mm.

Finish

Basic frames:

Vertical extrusions on the side panels, desk tray, worktop stabilizers, monitor level, monitor columns and flat screen holders: RAL 9006 white aluminum

Covers, stabilizer feet and foot caps: RAL 7021 dark gray

Worktops:

.1: Worktop coating in RAL 7035 light gray, ErgoEdge impact edge and veneer in RAL 7021 dark gray.

.5: Worktop coating in beech design, ErgoEdge impact edge and veneer in RAL 7021 dark gray.

.9: Worktop coating in basalt gray ErgoEdge impact edge and veneer in RAL 7021 dark gray.

Replace „x“ with the number of your color choice

Material

- Vertical supports on the side panels, monitor level and monitor columns, extruded aluminum, powder-coated
- Covers, stabilizer feet, desk tray and flat screen holders sheet-steel, powder-coated.
- Plastic impact protection caps
- Worktop: Three layer particle board, FP / Y E1 version, fire protection class B2
- Worktop coating: High pressure plastic laminate

INFO

Recommended Accessories:

- Monitor Level p.24
- Technical Pedestal p.25
- Mobile Drawer Units p.28

Load rating

Height-selectable version: 1500 N (static surface load)
 Electric height-adjustable version: 1200 N (static surface load)

Link-up system

Always start connecting from the outside left with starter desk. Add the modules you want as required.

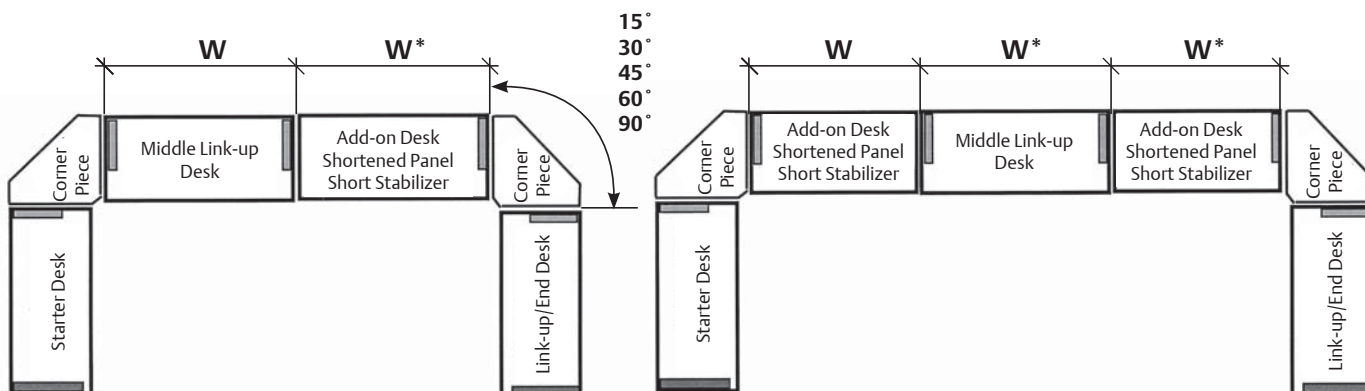
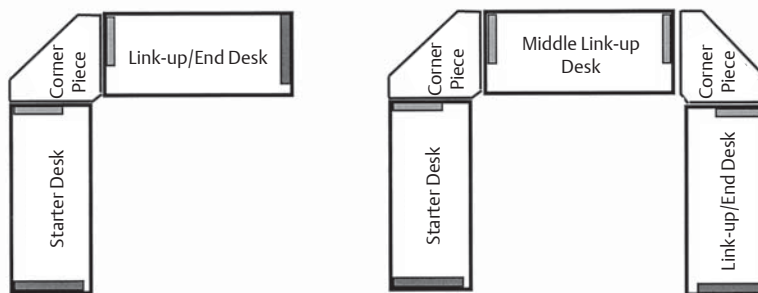
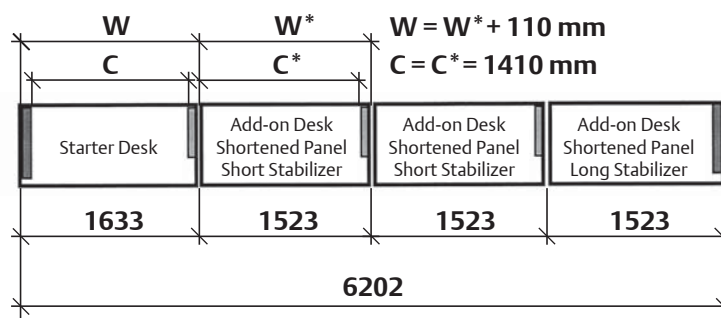
Please note:

Linkage of electrically height adjustable desks on request. Just let us know!

Select correct worktop height prior to installation of technical pedestal.

Standards

- DIN EN 527 office furniture, office workstations (Limited minimum height for desks with lowered monitor level possible)
- DIN EN ISO 11064 ergonomic design of control centers
- DIN 68761 for worktops
- EN 438 HGS class for high pressure plastic laminate
- DIN Technical Report 147 – Requirements and tests of office furniture – Guideline for the security requirements on work tables and storage furniture in Germany

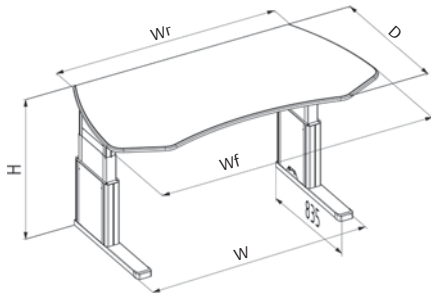


Dimensions in mm: W= Width
 W*= W - 110 mm
 C = Usable width
 H = Height
 D = Depth
 h = Installation height
 d = Usable depth
 L = Length
 HU = Standard height unit, 1 HU = 44.45 mm
 19" = 482.6 mm, (ideal for 19" components in acc. with DIN 41494)
 UP = Unit of packaging
 kg = Weight
 Conversion: 1 inch = 25,4 mm
 Replace „x“ with the number of your color choice



SYN20025

Shown with accessories



SYN20082

Knürr SynergyConsole® Sit-Stand Workstation with electrically operated sit-stand adjustment

- Continuous freeform worktop, ergonomically shaped for optimum viewing angle with flat-screen work, with ErgoEdge impact edge
- The most modern lifting mechanism possible ensures the worktop moves up and down quietly and stepless
- Intelligent and hidden cable management
- Patented ErgoEdge desk edge provides a pleasant surface temperature
- Modularity: Installation option for perforated rear panel, technical pedestal or monitor level
- Plenty of room for cables, switches and power supplies in the generously dimensioned desk tray
- Desk tray with cover at the rear including brush strip for dust protected and concealed cabling (cover not required with mounted monitor level)

Material

- Extruded aluminum side panel vertical supports, powder-coated
- Sheet steel covers, stabilizer feet, desk tray and worktop stabilizer, powder-coated
- Plastic impact protection caps
- Worktop: 30 mm three layer particle board, FP / Y E1 version, fire protection class B2
- Worktop coating: High pressure plastic laminate
- Plastic ErgoEdge desk edge

Finish

- Basic frames:
- Side panel vertical extrusions, desk tray and worktop stabilizer: RAL 9006 white aluminum

Covers, stabilizer feet and foot caps:
RAL 7021 dark gray

Worktops:

- .1: Worktop coating in RAL 7035 light gray, ErgoEdge impact edge and veneer in RAL 7021 dark gray
- .5: Worktop coating in beech design, ErgoEdge impact edge and veneer in RAL 7021 dark gray.
- .9: Worktop coating in basalt gray, ErgoEdge impact edge and veneer in RAL 7021 dark gray.

Replace „x“ with the number of your color choice

Load rating

1200 N (static surface load)

Height setting range

Electrically operated sit-stand adjustment
H: 650 mm to 1250 mm

Supply schedule

- 1 freeform worktop
- 2 side panels with long stabilizer feet, worktop stabilizers and lifting mechanism
- 1 desk tray with rear cover
- 1 control unit for height setting mechanism
- Mounting material

How supplied

Preassembled modules

Note

Accessories (see figure) not included in supply schedule
Technical pedestal (page 25) or perforated rear panel (page 23) order separately

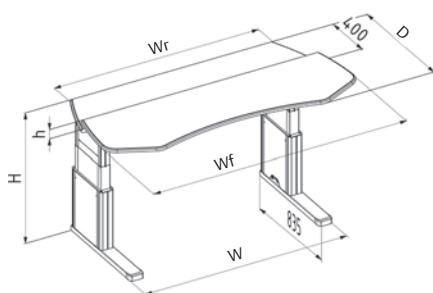
D	W	Wr	Wf	Order no.	UP
800	1233	1260	1525	04.414.013.x	1 unit
800	1633	1660	1940	04.414.015.x	1 unit
800	1833	1860	2145	04.414.016.x	1 unit
800	2033	2060	2355	04.414.017.x	1 unit
1000	1233	1260	1570	04.414.113.x	1 unit
1000	1633	1660	1985	04.414.115.x	1 unit
1000	1833	1860	2190	04.414.116.x	1 unit
1000	2033	2060	2400	04.414.117.x	1 unit

Dimensions in mm: W= Width
H = Height
D = Depth
h = Installation height
d = Usable depth
L = Length
Wr = Rear width
Wf = Front width

HU = Standard height unit, 1 HU = 44.45 mm
19" = 482.6 mm, (ideal for 19" components in acc. with DIN 41494)
UP = Unit of packaging
kg = Weight

Conversion: 1 inch = 25,4 mm

Replace „x“ with the number of your color choice



SYN20081

Knürr SynergyConsole® Sit-Stand Workstation with electrically operated sit-stand adjustment and lowered monitor surface

- Split worktop with ErgoEdge impact edge.
- Lowered in the monitor area; can be height adjusted from 0 mm to 70 mm in steps of 10 mm via variable position worktop stabilizers
- Monitor level depth: 400 mm
- The most modern lifting mechanism possible ensures the worktop moves up and down quietly and stepless
- Intelligent and concealed cable management.
- Patented ErgoEdge provides a pleasant surface temperature
- Modularity: Installation option for perforated rear panel, technical pedestal or monitor level
- Plenty of room for cables, switches and power supplies in the generously dimensioned desk tray
- With cover at the rear including brush strip for dust protected and out-of-view cabling (cover not required with mounted monitor level)

Material

- Extruded aluminum side panel vertical supports, powder-coated
- Sheet steel covers, stabilizer feet, desk tray and worktop stabilizer, powder-coated
- Plastic impact protection caps
- Worktops: 30 mm three layer particle board, FP / Y E1 version, fire protection class B2
- Worktop coating: High pressure plastic laminate
- Plastic ErgoEdge desk edge

Finish

Basic frames:
Side panel vertical extrusions, desk tray and worktop stabilizer: RAL 9006 white aluminum

Covers, stabilizer feet and foot caps: RAL 7021 dark gray

Worktops:

- .1: Worktop coating in RAL 7035 light gray, ErgoEdge impact edge and veneer in RAL 7021 dark gray
- .5: Worktop coating in beech design, ErgoEdge impact edge and veneer in RAL 7021 dark gray
- .9: Worktop coating in basalt gray, ErgoEdge impact edge and veneer in RAL 7021 dark gray

Replace „x“ with the number of your color choice

Load rating

1200 N (static surface load)

Height setting range

Electrically operated sit-stand adjustment
H: continuously from 650 mm to 1250 mm (Monitor level)
h: 0 - 70 mm (in steps of 10 mm)

Supply schedule

- 1 free form worktop
 - 1 worktop for lowered level
 - 2 side panels with long stabilizer feet, split worktop stabilizer and lifting mechanism
 - 1 desk tray with rear cover
 - 1 control unit for height setting mechanism
- Mounting material

How supplied

Preassembled modules

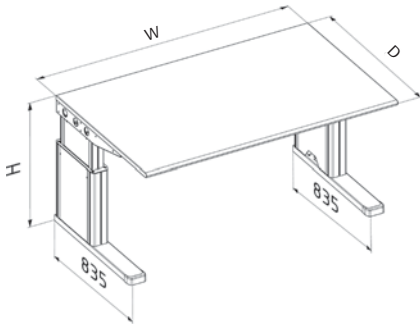
Note

Technical pedestal (page 25) or perforated rear panel (page 23) order separately

D	W	Wr	Wf	Order no.	UP
1000	1233	1260	1570	04.414.313.x	1 unit
1000	1633	1660	1985	04.414.315.x	1 unit
1000	1833	1860	2190	04.414.316.x	1 unit
1000	2033	2060	2400	04.414.317.x	1 unit



SYN20092



SYN20090

Knürr SynergyConsole® Single Desk Height-selectable

- As single desk or for linking two desks via a corner piece
- Provides full length stabilizer feet for the highest possible anti-tilt and stability
- Easy set desk heights via bolt locking in the side panels
- Intelligent and concealed cable management
- Patented ErgoEdge desk front edge provides a pleasant surface temperature
- Modularity: Installation option for perforated rear panel, technical pedestal or monitor level
- Plenty of room for cables, switches and power supplies in the generously dimensioned desk tray
- With cover at the rear including brush strip for dust protected and out-of-view cabling (cover not required with mounted monitor level)

Material

- Extruded aluminum side panel vertical supports, powder-coated
- Sheet steel covers, stabilizer feet, desk tray and worktop stabilizer, powder-coated
- Plastic impact protection caps
- Worktop: 30 mm three layer particle board, FP / YE1 version, fire protection class B2
- Worktop coating: High pressure plastic laminate
- Plastic ErgoEdge desk front edge

Finish

Basic frames:
Side panel vertical extrusions, desk tray and worktop stabilizer: RAL 9006 white aluminum
Covers, stabilizer feet and foot caps: RAL 7021 dark gray

Worktops:

- .1: Worktop coating in RAL 7035 light gray, ErgoEdge impact edge and veneer in RAL 7021 dark gray
 - .5: Worktop coating in beech design, ErgoEdge impact edge and veneer in RAL 7021 dark gray
 - .9: Worktop coating in basalt gray, ErgoEdge impact edge and veneer in RAL 7021 dark gray
- Replace „x“ with the number of your color choice

Load rating

1500 N (static surface load)

Height setting range

H: 650 mm to 850 mm

Supply schedule

- 1 worktop
- 2 side panels with worktop stabilizer and long stabilizer feet
- 1 desk tray with rear cover
- Mounting material

How supplied

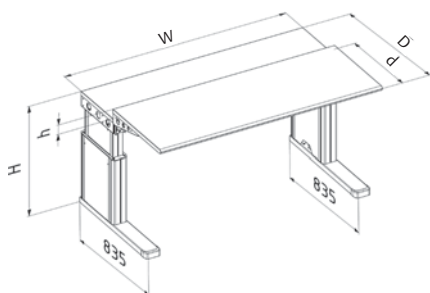
Preassembled modules

D	W	Order no.	UP
800	633	04.413.010.x	1 unit
800	833	04.413.011.x	1 unit
800	1033	04.413.012.x	1 unit
800	1233	04.413.013.x	1 unit
800	1433	04.413.014.x	1 unit
800	1633	04.413.015.x	1 unit
800	1833	04.413.016.x	1 unit
800	2033	04.413.017.x	1 unit
1000	633	04.413.110.x	1 unit
1000	833	04.413.111.x	1 unit
1000	1033	04.413.112.x	1 unit
1000	1233	04.413.113.x	1 unit
1000	1433	04.413.114.x	1 unit
1000	1633	04.413.115.x	1 unit
1000	1833	04.413.116.x	1 unit
1000	2033	04.413.117.x	1 unit

Dimensions in mm: W= Width
H = Height
D = Depth
h = Installation height
d = Usable depth
L = Length

HU = Standard height unit, 1 HU = 44.45 mm
19" = 482.6 mm, (ideal for 19" components in acc. with DIN 41494)
UP = Unit of packaging
kg = Weight

Conversion: 1 inch = 25,4 mm
Replace „x“ with the number of your color choice



SYN20089

Knürr SynergyConsole® Single Desk Height-selectable with lowered monitor surface

- As single desk or for linking two desks via a corner piece
- Provides full length stabilizer feet for the highest possible anti-tilt and stability
- Easy set desk heights via bolt locking in the side panels
- Split worktop with ErgoEdge desk front edge.
- Lowered in the monitor area; can be height adjusted from 0 mm to 70 mm in steps of 10 mm via variable position worktop stabilizers
- Monitor level depth: 400 mm
- Intelligent and concealed cable management
- Patented ErgoEdge desk front edge provides a pleasant surface temperature
- Modularity: Installation option for perforated rear panel, technical pedestal or monitor level
- Plenty of room for cables, switches and power supplies in the generously dimensioned desk tray
- With cover at the rear including brush strip for dust protected and out-of-view cabling (cover not required with mounted monitor level)

Material

- Extruded aluminum side panel vertical supports, powder-coated
- Sheet steel covers, stabilizer feet, desk tray and split worktop stabilizer, powder-coated
- Plastic impact protection caps
- Worktops: 30 mm three layer particle board, FP / Y E1 version, fire protection class B2
- Worktop coating: High pressure plastic laminate
- Plastic ErgoEdge desk front edge

Finish

Basic frames:
Side panel vertical extrusions, desk tray and split worktop stabilizer:
RAL 9006 white aluminum
Covers, stabilizer feet and foot caps:
RAL 7021 dark gray

Worktops:

- .1: Worktop coating in RAL 7035 light gray, ErgoEdge impact edge and veneer in RAL 7021 dark gray
- .5: Worktop coating in beech design, ErgoEdge impact edge and veneer in RAL 7021 dark gray
- .9: Worktop coating in basalt gray, ErgoEdge impact edge and veneer in RAL 7021 dark gray

Replace „x“ with the number of your color choice

Load rating

1500 N (static surface load)

Height setting range

H: 650 mm to 850 mm (Monitor level)
h: 0 - 70 mm (in steps of 10 mm)

Supply schedule

- 1 worktop
- 1 worktop for lowered level
- 2 side panels with long stabilizers feet and with split worktop stabilizers.
- 1 desk tray with rear cover
- Mounting material

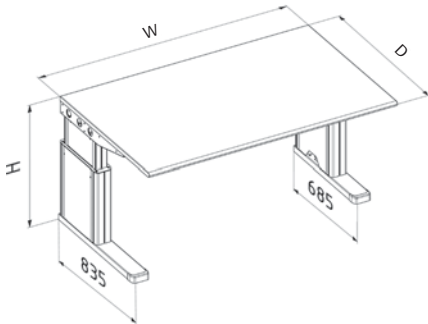
How supplied

Preassembled modules

D	W	d	Order no.	UP
1000	633	600	04.413.310.x	1 unit
1000	833	600	04.413.311.x	1 unit
1000	1033	600	04.413.312.x	1 unit
1000	1233	600	04.413.313.x	1 unit
1000	1433	600	04.413.314.x	1 unit
1000	1633	600	04.413.315.x	1 unit
1000	1833	600	04.413.316.x	1 unit
1000	2033	600	04.413.317.x	1 unit



SYN20042



SYN20084

Knürr SynergyConsole® Starter Desk Height-selectable

- As first desk on the left with link-ups
- Side panel on the right with shortened stabilizer feet for maximum leg space in the link-up area
- Easy set desk heights via bolt locking in the side panels
- Intelligent and concealed cable management
- Patented ErgoEdge desk front edge provides a pleasant surface temperature
- Modularity: Installation option for perforated rear panel, technical pedestal or monitor level
- Plenty of room for cables, switches and power supplies in the generously dimensioned desk tray
- With cover at the rear including brush strip for dust protected and out-of-view cabling (cover not required with mounted monitor level)

Material

- Extruded aluminum side panel vertical supports, powder-coated
- Sheet steel covers, stabilizer feet, desk tray and worktop stabilizer, powder-coated
- Plastic impact protection caps
- Worktop: 30 mm three layer particle board, FP / YE1 version, fire protection class B2
- Worktop coating: High pressure plastic laminate
- Plastic ErgoEdge desk front edge

Finish

Basic frames:
Side panel vertical extrusions, desk tray and worktop stabilizer: RAL 9006 white aluminum

Covers, stabilizer feet and foot caps:
RAL 7021 dark gray
Worktops:
.1: Worktop coating in RAL 7035 light gray, ErgoEdge impact edge and veneer in RAL 7021 dark gray
.5: Worktop coating in beech design, ErgoEdge impact edge and veneer in RAL 7021 dark gray
.9: Worktop coating in basalt gray, ErgoEdge impact edge and veneer in RAL 7021 dark gray
Replace „x“ with the number of your color choice

Load rating

1500 N (static surface load)

Height setting range

H: 650 mm to 850 mm

Supply schedule

1 worktop
1 left side panel with long stabilizer foot
1 right side panel with shortened stabilizer foot
1 desk tray with rear cover
Mounting material

How supplied

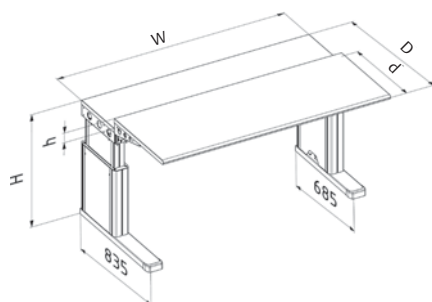
Preassembled modules

D	W	Order no.	UP
800	633	04.413.020.x	1 unit
800	833	04.413.021.x	1 unit
800	1033	04.413.022.x	1 unit
800	1233	04.413.023.x	1 unit
800	1433	04.413.024.x	1 unit
800	1633	04.413.025.x	1 unit
800	1833	04.413.026.x	1 unit
800	2033	04.413.027.x	1 unit
1000	633	04.413.120.x	1 unit
1000	833	04.413.121.x	1 unit
1000	1033	04.413.122.x	1 unit
1000	1233	04.413.123.x	1 unit
1000	1433	04.413.124.x	1 unit
1000	1633	04.413.125.x	1 unit
1000	1833	04.413.126.x	1 unit
1000	2033	04.413.127.x	1 unit

Dimensions in mm: W= Width
H = Height
D = Depth
h = Installation height
d = Usable depth
L = Length

HU = Standard height unit, 1 HU = 44.45 mm
19" = 482.6 mm, (ideal for 19" components in acc. with DIN 41494)
UP = Unit of packaging
kg = Weight

Conversion: 1 inch = 25,4 mm
Replace „x“ with the number of your color choice



SYN20085

Knürr SynergyConsole® Starter Desk Height-selectable with lowered monitor surface

- As first desk on the left with link-ups
- Side panel on the right with shortened stabilizer feet for optimum maximum leg space in the link-up area
- Split worktop with ErgoEdge desk front edge
- Lowered in the monitor area; can be height adjusted from 0 mm to 70 mm in steps of 10 mm via variable position worktop stabilizers
- Monitor level depth: 400 mm
- Easy set desk heights via bolt locking in the side panels
- Intelligent and concealed cable management.
- Patented ErgoEdge desk front edge provides a pleasant surface temperature
- Modularity: Installation option for perforated rear panel, technical pedestal or monitor level
- Plenty of room for cables, switches and power supplies in the generously dimensioned desk tray
- With cover at the rear including brush strip for dust protected and out-of-view cabling (cover not required with mounted monitor level)

Material

- Extruded aluminum side panel vertical supports, powder-coated
- Sheet steel covers, stabilizer feet, desk tray and split worktop stabilizer, powder-coated
- Plastic impact protection caps
- Worktop: 30 mm three layer particle board, FP / Y E1 version, fire protection class B2
- Worktop coating: High pressure plastic laminate
- Plastic ErgoEdge desk front edge

Finish

- Basic frames:
Side panel vertical extrusions, desk tray and split worktop stabilizer:
RAL 9006 white aluminum
Covers, stabilizer feet and foot caps:
RAL 7021 dark gray
Worktops:
.1: Worktop coating in RAL 7035 light gray, ErgoEdge impact edge and veneer in RAL 7021 dark gray
.5: Worktop coating in beech design, ErgoEdge impact edge and veneer in RAL 7021 dark gray
.9: Worktop coating in basalt gray, ErgoEdge impact edge and veneer in RAL 7021 dark gray
Replace „x“ with the number of your color choice

Load rating

1500 N (static surface load)

Height setting range

H: 650 mm to 850 mm (Monitor level)
h: 0 - 70 mm (in steps of 10 mm)

Supply schedule

- 1 worktop
- 1 worktop for lowered level
- 1 left side panel with long stabilizer foot and split worktop stabilizer
- 1 right side panel with shortened stabilizer foot and split worktop stabilizer
- 1 desk tray with rear cover
- Mounting material

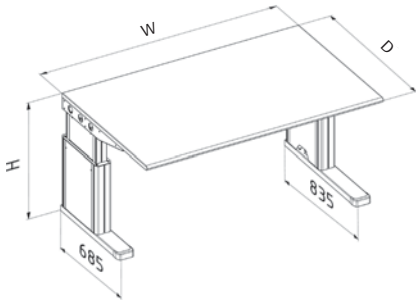
How supplied

Preassembled modules

D	W	D	Order no.	UP
1000	633	600	04.413.320.x	1 unit
1000	833	600	04.413.321.x	1 unit
1000	1033	600	04.413.322.x	1 unit
1000	1233	600	04.413.323.x	1 unit
1000	1433	600	04.413.324.x	1 unit
1000	1633	600	04.413.325.x	1 unit
1000	1833	600	04.413.326.x	1 unit
1000	2033	600	04.413.327.x	1 unit



SYN20093



SYN20083

Knürr SynergyConsole® Link-up/End Desk Height-selectable

- For linking up or closing off after a corner piece
- Can be further linked up with an add-on desk
- Side panel on the left with shortened stabilizer feet for maximum leg space in the link-up area
- Easy set desk heights via bolt locking in the side panels
- Intelligent and concealed cable management
- Patented ErgoEdge desk front edge provides a pleasant surface temperature
- Modularity: Installation option for perforated rear panel, technical pedestal or monitor level
- Plenty of room for cables, switches and power supplies in the generously dimensioned desk tray
- With cover at the rear including brush strip for dust protected and out-of-view cabling (cover not required with mounted monitor level)

Material

- Extruded aluminum side panel vertical supports, powder-coated
- Sheet steel covers, stabilizer feet, desk tray and worktop stabilizer, powder-coated
- Plastic impact protection caps
- Worktop: 30 mm three layer particle board, FP / Y E1 version, fire protection class B2
- Worktop coating: High pressure plastic laminate
- Plastic ErgoEdge desk front edge

Finish

Basic frames:

Side panel vertical extrusions, desk tray and worktop stabilizer: RAL 9006 white aluminum

Covers, stabilizer feet and foot caps: RAL 7021 dark gray

Worktops:

.1: Worktop coating in RAL 7035 light gray, ErgoEdge impact edge and veneer in RAL 7021 dark gray

.5: Worktop coating in beech design, ErgoEdge impact edge and veneer in RAL 7021 dark gray

.9: Worktop coating in basalt gray, ErgoEdge impact edge and veneer in RAL 7021 dark gray

Replace „x“ with the number of your color choice

Load rating

1500 N (static surface load)

Height setting range

H: 650 mm to 850 mm

Supply schedule

1 worktop

1 left side panel with shortened stabilizer foot

1 right side panel with long stabilizer foot

1 desk tray with rear cover

Mounting material

How supplied

Preassembled modules

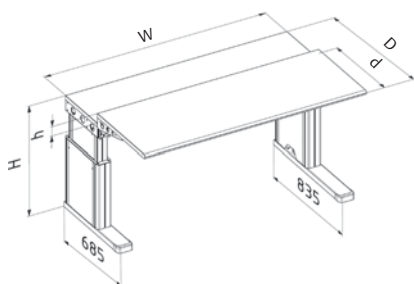
D	W	Order no.	UP
800	633	04.413.030.x	1 unit
800	833	04.413.031.x	1 unit
800	1033	04.413.032.x	1 unit
800	1233	04.413.033.x	1 unit
800	1433	04.413.034.x	1 unit
800	1633	04.413.035.x	1 unit
800	1833	04.413.036.x	1 unit
800	2033	04.413.037.x	1 unit
1000	633	04.413.130.x	1 unit
1000	833	04.413.131.x	1 unit
1000	1033	04.413.132.x	1 unit
1000	1233	04.413.133.x	1 unit
1000	1433	04.413.134.x	1 unit
1000	1633	04.413.135.x	1 unit
1000	1833	04.413.136.x	1 unit
1000	2033	04.413.137.x	1 unit

Dimensions in mm: W= Width
H = Height
D = Depth
h = Installation height
d = Usable depth
L = Length

HU = Standard height unit, 1 HU = 44.45 mm
19" = 482.6 mm, (ideal for 19" components in acc. with DIN 41494)
UP = Unit of packaging
kg = Weight

Conversion: 1 inch = 25,4 mm

Replace „x“ with the number of your color choice



SYN20086

Knürr SynergyConsole® Link-up/End Desk Height-selectable with lowered monitor surface

- For linking up or closing off after a corner piece
- Can be further linked up with an add-on desk
- Side panel on the left with shortened stabilizer feet for maximum leg space in the link-up area
- Split worktop with ErgoEdge desk front edge
- Lowered in the monitor area; can be height adjusted from 0 mm to 70 mm in steps of 10 mm via variable position worktop stabilizers
- Monitor level depth: 400 mm
- Easy set desk heights via bolt locking in the side panels
- Intelligent and concealed cable management
- Patented ErgoEdge desk front edge provides a pleasant surface temperature
- Modularity: Installation option for perforated rear panel, technical pedestal or monitor level
- Plenty of room for cables, switches and power supplies in the generously dimensioned desk tray
- With cover at the rear including brush strip for dust protected and out-of-view cabling (cover not required with mounted monitor level)

Material

- Extruded aluminum side panel vertical supports, powder-coated
- Sheet steel covers, stabilizer feet, desk tray and split worktop stabilizer, powder-coated
- Plastic impact protection caps
- Worktop: 30 mm three layer particle board, FP / Y E1 version, fire protection class B2
- Worktop coating: High pressure plastic laminate
- Plastic ErgoEdge desk front edge

Finish

- Basic frames:
Side panel vertical extrusions, desk tray and split worktop stabilizer:
RAL 9006 white aluminum
Covers, stabilizer feet and foot caps:
RAL 7021 dark gray
Worktops:
.1: Worktop coating in RAL 7035 light gray, ErgoEdge impact edge and veneer in RAL 7021 dark gray
.5: Worktop coating in beech design, ErgoEdge impact edge and veneer in RAL 7021 dark gray
.9: Worktop coating in basalt gray, ErgoEdge impact edge and veneer in RAL 7021 dark gray
Replace „x“ with the number of your color choice

Load rating

1500 N (static surface load)

Height setting range

H: 650 mm to 850 mm (Monitor level)
h: 0 - 70 mm (in steps of 10 mm)

Supply schedule

- 1 worktop
- 1 worktop for lowered level
- 1 left side panel with shortened stabilizer foot and split worktop stabilizers
- 1 right side panel with long stabilizer foot and split worktop stabilizer
- 1 desk tray with rear cover
- Mounting material

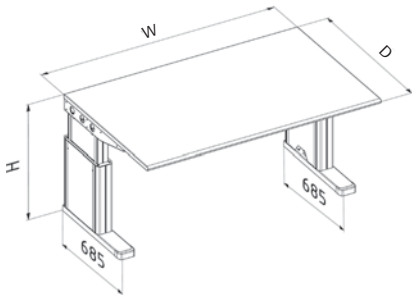
How supplied

Preassembled modules

D	W	d	Order no.	UP
1000	633	600	04.413.330.x	1 unit
1000	833	600	04.413.331.x	1 unit
1000	1033	600	04.413.332.x	1 unit
1000	1233	600	04.413.333.x	1 unit
1000	1433	600	04.413.334.x	1 unit
1000	1633	600	04.413.335.x	1 unit
1000	1833	600	04.413.336.x	1 unit
1000	2033	600	04.413.337.x	1 unit



SYN20091



SYN20088

Knürr SynergyConsole® Link-up Desk, Middle Height-selectable

- For linking-up between two corner pieces
- Can be further linked up with an add-on desk
- Side panel on the left and right with shortened stabilizer feet for maximum leg space in the link-up area
- Easy set desk heights via bolt locking in the side panels
- Intelligent and concealed cable management
- Patented ErgoEdge desk front edge provides a pleasant surface temperature
- Modularity: Installation option for perforated rear panel, technical pedestal or monitor level
- Plenty of room for cables, switches and power supplies in the generously dimensioned desk tray
- With cover at the rear including brush strip for dust protected and out-of-view cabling (cover not required with mounted monitor level)

Material

- Extruded aluminum side panel vertical supports, powder-coated
- Sheet steel covers, stabilizer feet, desk tray and worktop stabilizer, powder-coated
- Plastic impact protection caps
- Worktop: 30 mm three layer particle board, FP / Y E1 version, fire protection class B2
- Worktop coating: High pressure plastic laminate
- Plastic ErgoEdge desk front edge

Finish

Basic frames:

Side panel vertical extrusions, desk tray and worktop stabilizer: RAL 9006 white aluminum

Covers, stabilizer feet and foot caps: RAL 7021 dark gray

Worktops:

.1: Worktop coating in RAL 7035 light gray, ErgoEdge impact edge and veneer in RAL 7021 dark gray

.5: Worktop coating in beech design, ErgoEdge impact edge and veneer in RAL 7021 dark gray

.9: Worktop coating in basalt gray, ErgoEdge impact edge and veneer in RAL 7021 dark gray

Replace „x“ with the number of your color choice

Load rating

1500 N (static surface load)

Height setting range

H: 650 mm to 850 mm

Supply schedule

1 worktop

2 side panels with shortened stabilizer feet

1 desk tray with rear cover

Mounting material

How supplied

Preassembled modules

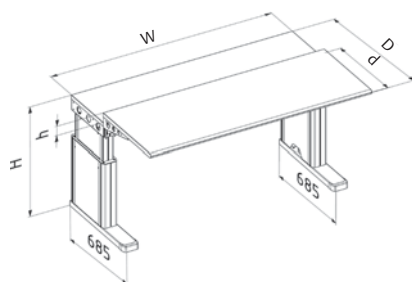
D	W	Order no.	UP
800	633	04.413.040.x	1 unit
800	833	04.413.041.x	1 unit
800	1033	04.413.042.x	1 unit
800	1233	04.413.043.x	1 unit
800	1433	04.413.044.x	1 unit
800	1633	04.413.045.x	1 unit
800	1833	04.413.046.x	1 unit
800	2033	04.413.047.x	1 unit
1000	633	04.413.140.x	1 unit
1000	833	04.413.141.x	1 unit
1000	1033	04.413.142.x	1 unit
1000	1233	04.413.143.x	1 unit
1000	1433	04.413.144.x	1 unit
1000	1633	04.413.145.x	1 unit
1000	1833	04.413.146.x	1 unit
1000	2033	04.413.147.x	1 unit

Dimensions in mm: W= Width
H = Height
D = Depth
h = Installation height
d = Usable depth
L = Length

HU = Standard height unit, 1 HU = 44.45 mm
19" = 482.6 mm, (ideal for 19" components in acc. with DIN 41494)
UP = Unit of packaging
kg = Weight

Conversion: 1 inch = 25,4 mm

Replace „x“ with the number of your color choice



SYN20087

Knürr SynergyConsole® Link-up Desk, Middle Height-selectable with lowered monitor surface

- For linking-up between two corner pieces
- Can be further linked up with an add-on desk
- Side panel on the left and right with shortened stabilizer feet for maximum leg space in the link-up area
- Split worktop with ErgoEdge desk front edge
- Lowered in the monitor area; can be height adjusted from 0 mm to 70 mm in steps of 10 mm via variable position worktop stabilizers
- Monitor level depth: 400 mm
- Easy set desk heights via bolt locking in the side panels
- Intelligent and concealed cable management
- Patented ErgoEdge desk front edge provides a pleasant surface temperature
- Modularity: Installation option for perforated rear panel, technical pedestal or monitor level
- Plenty of room for cables, switches and power supplies in the generously dimensioned desk tray
- With cover at the rear including brush strip for dust protected and out-of-view cabling (cover not required with mounted monitor level)

Material

- Extruded aluminum side panel vertical supports, powder-coated
- Sheet steel covers, stabilizer feet, desk tray and split worktop stabilizer, powder-coated
- Plastic impact protection caps
- Worktop: 30 mm three layer particle board, FP / Y E1 version, fire protection class B2
- Worktop coating: High pressure plastic laminate
- Plastic ErgoEdge desk front edge

Finish

Basic frames:
Side panel vertical extrusions, desk tray and split worktop stabilizer:
RAL 9006 white aluminum
Covers, stabilizer feet and foot caps:
RAL 7021 dark gray
Worktops:
.1: Worktop coating in RAL 7035 light gray, ErgoEdge impact edge and veneer in RAL 7021 dark gray
.5: Worktop coating in beech design, ErgoEdge impact edge and veneer in RAL 7021 dark gray
.9: Worktop coating in basalt gray, ErgoEdge impact edge and veneer in RAL 7021 dark gray
Replace „x“ with the number of your color choice

Load rating

1500 N (static surface load)

Height setting range

H: 650 mm to 850 mm (Monitor level)
h: 0 - 70 mm (in steps of 10 mm)

Supply schedule

1 worktop
1 worktop for lowered level
2 side panels with shortened stabilizer feet and split worktop stabilizer
1 desk tray with rear cover
Mounting material

How supplied

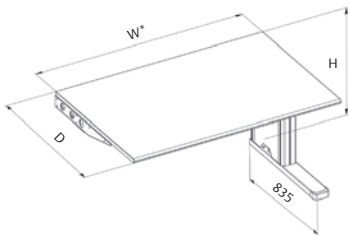
Preassembled modules

D	W	d	Order no.	UP
1000	633	600	04.413.340.x	1 unit
1000	833	600	04.413.341.x	1 unit
1000	1033	600	04.413.342.x	1 unit
1000	1233	600	04.413.343.x	1 unit
1000	1433	600	04.413.344.x	1 unit
1000	1633	600	04.413.345.x	1 unit
1000	1833	600	04.413.346.x	1 unit
1000	2033	600	04.413.347.x	1 unit



SYN20095

Right mounting

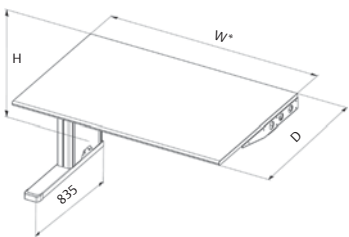


SYN20071

Right mounting



Left mounting



Left mounting

Knürr SynergyConsole® Add-On Desk, Long Stabilizer Height-selectable, left or right mounting

- For linking up after a starter or single desk
- Can be further linked up with an add-on desk
- Only with one side element (left or right) and long stabilizer foot for highest possible stability
- Worktop width shortened to maintain the clear width in linking. The installation modules therefore stay in the modular dimension
- Easy set desk heights via bolt locking in the side panels
- Intelligent and concealed cable management
- Patented ErgoEdge desk front edge provides a pleasant surface temperature
- Modularity: Installation option for perforated rear panel, technical pedestal or monitor level
- Plenty of room for cables, switches and power supplies in the generously dimensioned desk tray
- With cover at the rear including brush strip for dust protected and out-of-view cabling (cover not required with mounted monitor level)

Material

- Extruded aluminum side panel vertical supports, powder-coated
- Sheet steel covers, stabilizer foot, desk tray and worktop stabilizer, powder-coated
- Plastic impact protection caps
- Worktop: 30 mm three layer particle board, FP / Y E1 version, fire protection class B2
- Worktop coating: High pressure plastic laminate
- Plastic ErgoEdge desk front edge

Finish

Basic frames:

Side panel vertical extrusions, desk tray and worktop stabilizer: RAL 9006 white aluminum

Covers, stabilizer foot and foot caps: RAL 7021 dark gray

Worktops:

.1: Worktop coating in RAL 7035 light gray, ErgoEdge impact edge and veneer in RAL 7021 dark gray

.5: Worktop coating in beech design, ErgoEdge impact edge and veneer in RAL 7021 dark gray

.9: Worktop coating in basalt gray, ErgoEdge impact edge and veneer in RAL 7021 dark gray

Replace „x“ with the number of your color choice

Load rating

1500 N (static surface load)

Height setting range

650 mm to 850 mm

Supply schedule

1 worktop

1 side panel with long stabilizer foot

1 desk tray with rear cover

Mounting material

How supplied

Preassembled modules

D	W*	Order no. (Right mounting)	Order no. (Left mounting)	UP
800	523	04.413.050.x	04.413.070.x	1 unit
800	723	04.413.051.x	04.413.071.x	1 unit
800	923	04.413.052.x	04.413.072.x	1 unit
800	1123	04.413.053.x	04.413.073.x	1 unit
800	1323	04.413.054.x	04.413.074.x	1 unit
800	1523	04.413.055.x	04.413.075.x	1 unit
800	1723	04.413.056.x	04.413.076.x	1 unit
800	1923	04.413.057.x	04.413.077.x	1 unit
1000	523	04.413.150.x	04.413.170.x	1 unit
1000	723	04.413.151.x	04.413.171.x	1 unit
1000	923	04.413.152.x	04.413.172.x	1 unit
1000	1123	04.413.153.x	04.413.173.x	1 unit
1000	1323	04.413.154.x	04.413.174.x	1 unit
1000	1523	04.413.155.x	04.413.175.x	1 unit
1000	1723	04.413.156.x	04.413.176.x	1 unit
1000	1923	04.413.157.x	04.413.177.x	1 unit

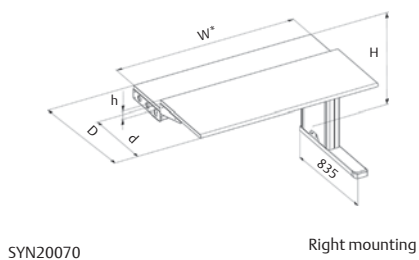
Dimensions in mm: W= Width
 W* = W - 110 mm
 C = Usable width
 H = Height
 D = Depth
 h = Installation height
 d = Usable depth
 L = Length

HU = Standard height unit, 1 HU = 44.45 mm, 19" = 482.6 mm, (ideal for 19" components in acc. with DIN 41494)
 UP = Unit of packaging
 kg = Weight

Conversion: 1 inch = 25.4 mm

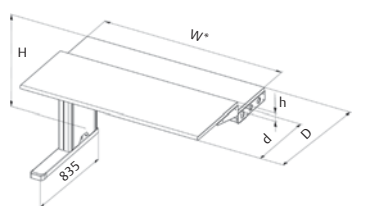
Replace „x“ with the number of your color choice

Knürr SynergyConsole® Add-On Desk, Long Stabilizer Height-selectable, left or right mounting with lowered monitor surface



SYN20070

Right mounting



Left mounting

- For linking up after a starter or single desk
- Can be further linked up with an add-on desk
- Only with one side element (left or right) and long stabilizer foot for highest possible stability
- Worktop width shortened to maintain the clear width in linking. The installation modules therefore stay in the modular dimension
- Split worktop with ErgoEdge desk front edge
- Lowered in the monitor area; can be height adjusted from 0 mm to 70 mm in steps of 10 mm via variable position worktop stabilizers
- Monitor level depth: 400 mm
- Easy set desk heights via bolt locking in the side panels
- Intelligent and concealed cable management
- Patented ErgoEdge desk front edge provides a pleasant surface temperature
- Modularity: Installation option for perforated rear panel, technical pedestal or monitor level
- Plenty of room for cables, switches and power supplies in the generously dimensioned desk tray
- With cover at the rear including brush strip for dust protected and out-of-view cabling (cover not required with mounted monitor level)

Material

- Extruded aluminum side panel vertical supports, powder-coated
- Sheet steel covers, stabilizer foot, desk tray and split worktop stabilizer, powder-coated
- Plastic impact protection caps
- Worktop: 30 mm three layer particle board, FP / Y E1 version, fire protection class B2
- Worktop coating: High pressure plastic laminate
- Plastic ErgoEdge desk front edge

Finish

- Basic frames:
Side panel vertical extrusions, desk tray and split worktop stabilizer:
RAL 9006 white aluminum
Covers, stabilizer foot and foot caps:
RAL 7021 dark gray
Worktops:
.1: Worktop coating in RAL 7035 light gray, ErgoEdge impact edge and veneer in RAL 7021 dark gray
.5: Worktop coating in beech design, ErgoEdge impact edge and veneer in RAL 7021 dark gray
.9: Worktop coating in basalt gray, ErgoEdge impact edge and veneer in RAL 7021 dark gray
Replace „x“ with the number of your color choice

Load rating

1500 N (static surface load)

Height setting range

H: 650 mm to 850 mm (Monitor level)
h: 0 - 70 mm (in steps of 10 mm)

Supply schedule

- 1 worktop
- 1 worktop for lowered level
- 1 side panel with long stabilizer foot and split worktop stabilizer
- 1 desk tray with rear cover
- Mounting material

How supplied

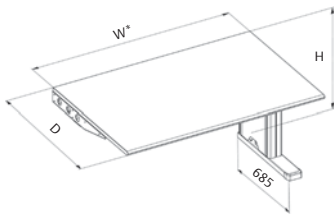
Preassembled modules

D	W*	d	Order no. (Right mounting)	Order no. (Left mounting)	UP
1000	523	600	04.413.350.x	04.413.370.x	1 unit
1000	723	600	04.413.351.x	04.413.371.x	1 unit
1000	923	600	04.413.352.x	04.413.372.x	1 unit
1000	1123	600	04.413.353.x	04.413.373.x	1 unit
1000	1323	600	04.413.354.x	04.413.374.x	1 unit
1000	1523	600	04.413.355.x	04.413.375.x	1 unit
1000	1723	600	04.413.356.x	04.413.376.x	1 unit
1000	1923	600	04.413.357.x	04.413.377.x	1 unit



SYN20094

Right mounting

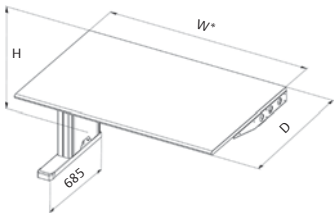


SYN20069

Right mounting



Left mounting



Left mounting

Knürr SynergyConsole® Add-On Desk, Short Stabilizer Height-selectable, left or right mounting

- For linking up after a starter or single desk
- Can be further linked up with an add-on desk
- Only with one side panel (left or right) shortened stabilizer foot for maximum leg space in the link-up area
- Worktop width shortened to maintain the clear width in linking. The installation modules therefore stay in the modular dimension
- Easy set desk heights via bolt locking in the side panels
- Intelligent and concealed cable management
- Patented ErgoEdge desk front edge provides a pleasant surface temperature
- Modularity: Installation option for perforated rear panel, technical pedestal or monitor level
- Plenty of room for cables, switches and power supplies in the generously dimensioned desk tray
- With cover at the rear including brush strip for dust protected and out-of-view cabling (cover not required with mounted monitor level)

Material

- Extruded aluminum side panel vertical supports, powder-coated
- Sheet steel covers, stabilizer foot, desk tray and worktop stabilizer, powder-coated
- Plastic impact protection caps
- Worktop: 30 mm three layer particle board, FP / Y E1 version, fire protection class B2
- Worktop coating: High pressure plastic laminate
- Plastic ErgoEdge desk front edge

Finish

Basic frames:

Side panel vertical extrusions, desk tray and worktop stabilizer: RAL 9006 white aluminum

Covers, stabilizer foot and foot caps: RAL 7021 dark gray

Worktops:

.1: Worktop coating in RAL 7035 light gray, ErgoEdge impact edge and veneer in RAL 7021 dark gray

.5: Worktop coating in beech design, ErgoEdge impact edge and veneer in RAL 7021 dark gray

.9: Worktop coating in basalt gray, ErgoEdge impact edge and veneer in RAL 7021 dark gray

Replace „x“ with the number of your color choice

Load rating

1500 N (static surface load)

Height setting range

650 mm to 850 mm

Supply schedule

1 worktop

1 side panel with shortened stabilizer foot

1 desk tray with rear cover

Mounting material

How supplied

Preassembled modules

D	W*	Order no. (Right mounting)	Order no. (Left mounting)	UP
800	523	04.413.060.x	04.413.080.x	1 unit
800	723	04.413.061.x	04.413.081.x	1 unit
800	923	04.413.062.x	04.413.082.x	1 unit
800	1123	04.413.063.x	04.413.083.x	1 unit
800	1323	04.413.064.x	04.413.084.x	1 unit
800	1523	04.413.065.x	04.413.085.x	1 unit
800	1723	04.413.066.x	04.413.086.x	1 unit
800	1923	04.413.067.x	04.413.087.x	1 unit
1000	523	04.413.160.x	04.413.180.x	1 unit
1000	723	04.413.161.x	04.413.181.x	1 unit
1000	923	04.413.162.x	04.413.182.x	1 unit
1000	1123	04.413.163.x	04.413.183.x	1 unit
1000	1323	04.413.164.x	04.413.184.x	1 unit
1000	1523	04.413.165.x	04.413.185.x	1 unit
1000	1723	04.413.166.x	04.413.186.x	1 unit
1000	1923	04.413.167.x	04.413.187.x	1 unit

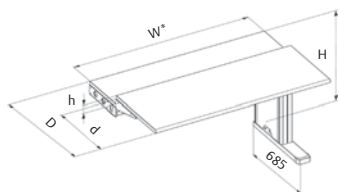
Dimensions in mm: W= Width
W* = W - 110 mm
C = Usable width
H = Height
D = Depth
h = Installation height
d = Usable depth
L = Length

HU = Standard height unit, 1 HU = 44.45 mm, 19" = 482.6 mm, (ideal for 19" components in acc. with DIN 41494)
UP = Unit of packaging
kg = Weight

Conversion: 1 inch = 25.4 mm

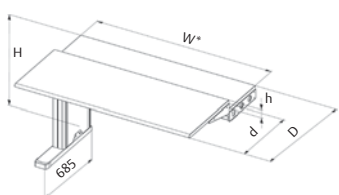
Replace „x“ with the number of your color choice

Knürr SynergyConsole® Add-On Desk, Short Stabilizer Height-selectable, left or right mounting with lowered monitor surface



SYN20068

Right mounting



Left mounting

- For linking up after a starter or single desk
- Can be further linked up with an add-on desk
- Only with one side panel (left or right) shortened stabilizer foot for maximum leg space in the link-up area
- Worktop width shortened to maintain the clear width in linking. The installation modules therefore stay in the modular dimension
- Split worktop with ErgoEdge desk front edge
- Lowered in the monitor area; can be height adjusted from 0 mm to 70 mm in steps of 10 mm via variable position worktop stabilizers
- Monitor level depth: 400 mm
- Easy set desk heights via bolt locking in the side panels
- Intelligent and concealed cable management
- Patented ErgoEdge desk front edge provides a pleasant surface temperature
- Modularity: Installation option for perforated rear panel, technical pedestal or monitor level
- Plenty of room for cables, switches and power supplies in the generously dimensioned desk tray
- With cover at the rear including brush strip for dust protected and out-of-view cabling (cover not required with mounted monitor level)

Material

- Extruded aluminum side panel vertical supports, powder-coated
- Sheet steel covers, stabilizer foot, desk tray and split worktop stabilizer, powder-coated
- Plastic impact protection caps
- Worktop: 30 mm three layer particle board, FP / Y E1 version, fire protection class B2
- Worktop coating: High pressure plastic laminate
- Plastic ErgoEdge desk front edge

Finish

- Basic frames:
Side panel vertical extrusions, desk tray and split worktop stabilizer:
RAL 9006 white aluminum
Covers, stabilizer foot and foot caps:
RAL 7021 dark gray
Worktops:
.1: Worktop coating in RAL 7035 light gray, ErgoEdge impact edge and veneer in RAL 7021 dark gray
.5: Worktop coating in beech design, ErgoEdge impact edge and veneer in RAL 7021 dark gray
.9: Worktop coating in basalt gray, ErgoEdge impact edge and veneer in RAL 7021 dark gray
Replace „x“ with the number of your color choice

Load rating

1500 N (static surface load)

Height setting range

H: 650 mm to 850 mm (Monitor level)
h: 0 - 70 mm (in steps of 10 mm)

Supply schedule

- 1 worktop
- 1 worktop for lowered level
- 1 side panel with shortened stabilizer foot and split worktop stabilizer
- 1 desk tray with rear cover
- Mounting material

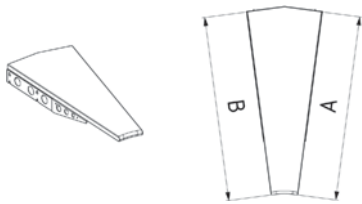
How supplied

Preassembled modules

D	W*	d	Order no. (Right mounting)	Order no. (Left mounting)	UP
1000	523	600	04.413.360.x	04.413.380.x	1 unit
1000	723	600	04.413.361.x	04.413.381.x	1 unit
1000	923	600	04.413.362.x	04.413.382.x	1 unit
1000	1123	600	04.413.363.x	04.413.383.x	1 unit
1000	1323	600	04.413.364.x	04.413.384.x	1 unit
1000	1523	600	04.413.365.x	04.413.385.x	1 unit
1000	1723	600	04.413.366.x	04.413.386.x	1 unit
1000	1923	600	04.413.367.x	04.413.387.x	1 unit

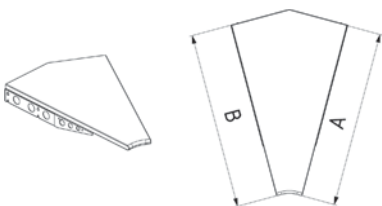
Knürr SynergyConsole® Corner Piece

Corner Piece 15°



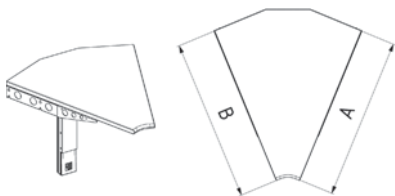
SYN20072

30°



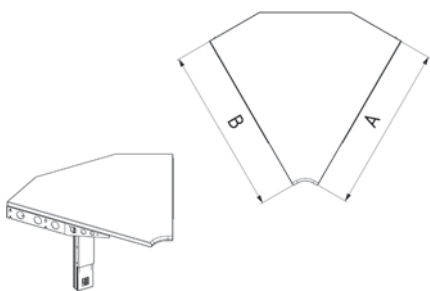
SYN20073

45°



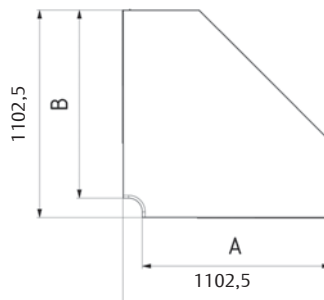
SYN20074

60°



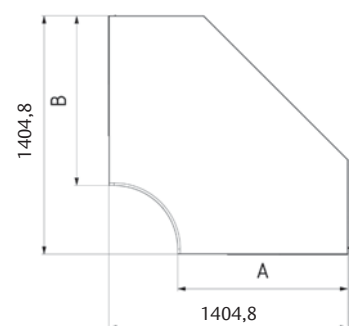
SYN20075

90°



SYN20076

Trapezoid 90°



SYN20077

- With support arms for direct connection on the worktop stabilizer of the linked-up desks
- Patented ErgoEdge corner piece front edge provides a pleasant surface temperature
- Modularity: Installation option for perforated rear panel or monitor level
- Plenty of room for cables, switches and power supplies in the generously dimensioned corner piece tray
- Additional vertical cabling possible via the rear support foot
- Corner piece tray with cover at the rear including brush strip for dust protected and out-of-view cabling (cover not required with mounted monitor level)

Material

- Sheet steel support foot, support arms and corner piece tray, powder-coated
- Corner worktop: 30 mm three layer particle board, FP / YE1 version, fire protection class B2
- Board coating: High pressure plastic laminate
- Plastic ErgoEdge corner piece front edge

Finish

Corner piece tray, support foot and support arms: RAL 9006 white aluminum

- Corner piece panels:
- .1: Worktop coating in RAL 7035 light gray, ErgoEdge impact edge and veneer in RAL 7021 dark gray
 - .5: Worktop coating in beech design, ErgoEdge impact edge and veneer in RAL 7021 dark gray
 - .9: Worktop coating in basalt gray, ErgoEdge impact edge and veneer in RAL 7021 dark gray

Replace „x“ with the number of your color choice

Load rating

1500 N (static surface load)

Height setting range

650 mm to 850 mm via the side panels of the linked-up desks.

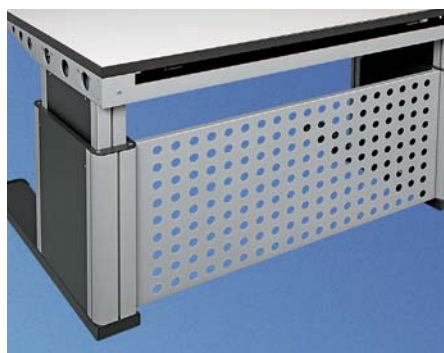
Supply schedule

- 1 corner worktop
- 1 corner piece tray with support arms and rear cover
- Mounting material

How supplied

Preassembled modules

	A	B	Order no.	UP
Corner Piece 15°	800	800	04.415.010.x	1 unit
Corner Piece 30°	800	800	04.415.020.x	1 unit
Corner Piece 45°	800	800	04.415.030.x	1 unit
Corner Piece 60°	800	800	04.415.040.x	1 unit
Corner Piece 90° (diagonal back)	800	800	04.415.050.x	1 unit
Trapezoid Corner (diagonal back)	800	800	04.415.060.x	1 unit
Corner Piece 15°	1000	1000	04.415.110.x	1 unit
Corner Piece 30°	1000	1000	04.415.120.x	1 unit
Corner Piece 45°	1000	1000	04.415.130.x	1 unit
Corner Piece 60°	1000	1000	04.415.140.x	1 unit
Corner Piece 90° (diagonal back)	1000	1000	04.415.150.x	1 unit
Trapezoid Corner (diagonal back)	1000	1000	04.415.160.x	1 unit



SYN20039

Perforated Rear Panel for SynergyConsole®

- As modesty panel
- Ideal for all Knürr Synergy® desk types
- Increases lateral rigidity
- With fixing option for cable chain, left and right

- Material**
Sheet steel, powder-coated
- Finish**
.9: RAL 9006 white aluminum
Replace „x“ with the number of your color choice

- Dimensions**
Height: 417 mm
Perforation diameter – 25 mm
- Supply schedule**
1 perforated rear panel
Mounting material
- How supplied**
Flat-packed kit

W	W (Add on Desk)	Order no.	UP
633	523	04.415.810.9	1 unit
833	723	04.415.811.9	1 unit
1033	923	04.415.812.9	1 unit
1233	1123	04.415.813.9	1 unit
1433	1323	04.415.814.9	1 unit
1633	1523	04.415.815.9	1 unit
1833	1723	04.415.816.9	1 unit
2033	1927	04.415.817.9	1 unit



SYN20049

Perforated rear panel for SynergyConsole® Corner Piece

- As modesty panel
- Screwed with the support foot serves as cross-reinforcing

- Material**
Sheet steel, powder-coated
- Finish**
.9: RAL 9006 white aluminum
Replace „x“ with the number of your color choice

- Dimensions**
Height: 417 mm
Perforation diameter – 25 mm
- Supply schedule**
1 perforated rear panel
Mounting material
- How supplied**
Flat-packed kit

	Order no.	UP
for Corner Piece 15°	04.415.910.9	1 unit
for Corner Piece 30°	04.415.920.9	1 unit
for Corner Piece 45°	04.415.930.9	1 unit
for Corner Piece 60°	04.415.940.9	1 unit
for Corner Piece 90° (diagonal back)	04.415.950.9	1 unit
Trapezoid Corner (diagonal back)	04.415.960.9	1 unit

Dimensions in mm: W= Width
H = Height
D = Depth
h = Installation height
d = Usable depth
L = Length

HU = Standard height unit, 1 HU = 44.45 mm
19" = 482.6 mm, (ideal for 19" components in acc. with DIN 41494)
UP = Unit of packaging
kg = Weight

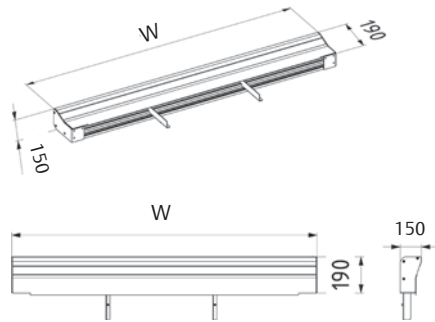
Conversion: 1 inch = 25,4 mm
Replace „x“ with the number of your color choice



SYN20034



SYN20035



SYN20097

Knürr SynergyConsole® Monitor Level

- Innovative system for ergonomic, safe and secure flat screen positioning
- Docking monitor level in extrusion construction design, for all kind of Knürr Synergy®- desks
- Horizontal guide for the vertical monitor columns
- Spacious cable duct provides additional space for cables, switches and power supplies
- Also accessible with wall position via removable cover
- With brush strip for dust protection and hiding from view

Material

- Extruded aluminum, powder-coated monitor level
- Sheet steel covers, side flanges and adapter, powder-coated

Finish

.9: RAL 9006 white aluminum

Load rating

Max. 800 N (static surface load)
Note: Observe overall desk system load rating.

Supply schedule

1 monitor level
1 rear cover strip
1 cover with brush strip
Mounting material

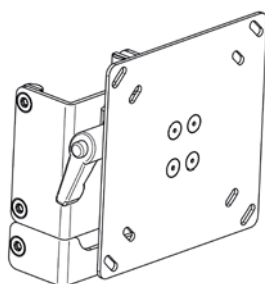
How supplied

Preassembled modules

W		Order no.	UP
633		04.415.410.9	1 unit
833		04.415.411.9	1 unit
1033		04.415.412.9	1 unit
1233		04.415.413.9	1 unit
1433		04.415.414.9	1 unit
1633		04.415.415.9	1 unit
1833		04.415.416.9	1 unit
2033		04.415.417.9	1 unit
523	For add-on desks	04.415.450.9	1 unit
723	For add-on desks	04.415.451.9	1 unit
923	For add-on desks	04.415.452.9	1 unit
1123	For add-on desks	04.415.453.9	1 unit
1323	For add-on desks	04.415.454.9	1 unit
1523	For add-on desks	04.415.455.9	1 unit
1723	For add-on desks	04.415.456.9	1 unit
1923	For add-on desks	04.415.457.9	1 unit



SYN20031



SYN20096

Flat Screen Holder for Knürr SynergyConsole®

- Flat screen adaption (VESA 75/100), suitable in design for Knürr SynergyConsole®
- Vertical supports with hidden cable routing (brush strip)
- For one or two-row desktop flat screen setup
- Short flat screen arm and flat screen holder, telescopic/swivelling with integrated cable routing
- Stepless height-adjustable via T-slots in the vertical supports

Material

Extruded aluminum vertical supports, powder-coated
Sheet steel flat screen holder, support holder and support covers, powder-coated

Finish

.9: RAL 9006 white aluminum

Dimensions

- Vertical supports height – 415 mm (one-row) and 775 mm (two-row).
- Short flat screen holder only carries approx. 40 mm!
- Telescopic flat screen holder from approx. 270 mm to 380 mm.

Load rating

10 kg

Supply schedule

1 flat screen holder with fixing material and
1 vertical support with fixing material

How supplied

Flat-packed kit

L	H		Order no.	UP
40		Short TFT arm	04.412.001.9	1 unit
270-380		Telescopic TFT arm	04.412.002.9	1 unit
	415	Flat screen support adapter, 1-row	04.415.004.9	1 unit
	775	Flat screen support adapter, 2-row	04.415.006.9	1 unit



SYN20032

Shown with accessories

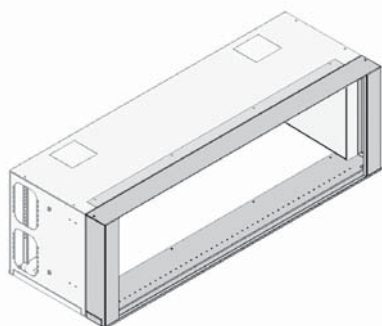
Knürr SynergyConsole® Technical Pedestal

- Large technical pedestal for fixing mounting panels, chassis rails, computers and other equipment
- Ideal for all Knürr Synergy® desk types
- No reduction in foot and legroom depth
- Side cable outlets, split for separate data and power cable routing
- Upward cable routing via the desk's side panels or via optional energy chain
- Open at the bottom for optimum cable inlet or ventilation from the shelf; optional computer shelf available
- Cables can be routed through the optional cable basket tray to the desks' side panels
- Easy to access through completely removable front and rear cover
- Accessories: Mounting rails, cable basket tray, computer shelf and 19" frame

- Material**
Sheet steel, powder-coated
- Finish**
.9: Main unit and covers, RAL 7021 dark gray
- Dimensions**
External depth 390 mm, usable depth 350 mm, external height 463 mm, usable height 418 mm
- Supply schedule**
1 technical pedestal with front and rear panel
Mounting material
- How supplied**
Preassembled modules

W	H	D	w	h	d	Order no.	UP
600	463	390	410	418	350	04.415.610.9	1 unit
800	463	390	610	418	350	04.415.611.9	1 unit
1000	463	390	810	418	350	04.415.612.9	1 unit
1200	463	390	1010	418	350	04.415.613.9	1 unit
1400	463	390	1210	418	350	04.415.614.9	1 unit
1600	463	390	1410	418	350	04.415.615.9	1 unit
1800	463	390	1610	418	350	04.415.616.9	1 unit
2000	463	390	1810	418	350	04.415.617.9	1 unit

Recommended Accessories: see p. 26 - 27



Knürr SynergyConsole® Extension for Technical Pedestal

- Rear Extension for Synergy Technical Pedestal
- Results in additional 100 mm usable depth and facilitates installation of servers, switches and other large equipment
- Easy installation
- To be used with original rear panel of the technical pedestal

- Dimensions**
External depth 100 mm, additional depth 100 mm, external height 463 mm, internal height 418 mm
- Supply schedule**
1 extension for technical pedestal
Mounting material
- How supplied**
Single parts modules

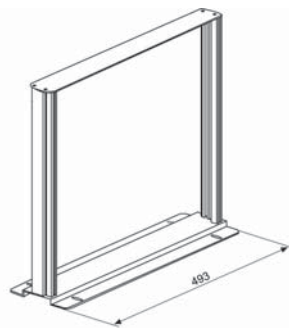
- Material**
Sheet steel, powder-coated
- Finish**
.9: Main unit and covers, RAL 7021 dark gray

W	D	Order no.	UP
600	100	04.415.620.9	1 unit
800	100	04.415.621.9	1 unit
1000	100	04.415.622.9	1 unit
1200	100	04.415.623.9	1 unit
1400	100	04.415.624.9	1 unit
1600	100	04.415.625.9	1 unit
1800	100	04.415.626.9	1 unit
2000	100	04.415.627.9	1 unit

Dimensions in mm: W= Width
H = Height
D = Depth
h = Installation height
d = Usable depth
L = Length

HU = Standard height unit, 1 HU = 44.45 mm
19" = 482.6 mm, (ideal for 19" components in acc. with DIN 41494)
UP = Unit of packaging
kg = Weight

Conversion: 1 inch = 25,4 mm
Replace „x“ with the number of your color choice



KON20032

19" Frame (for technical pedestal)

- 19" frame for mounting 19" components and mounting panels
- 19" frame fixing on technical pedestal base frame via depth braces, making it depth-adjustable
- Equipment installation on the 19" extrusion via T-slots and spring nuts, making it height-adjustable

- **Material**
Sheet steel 19" adapter plate and frame cover, powder-coated texture
19" extrusions, extruded aluminum, polished

- **Finish**
Adapter plate, RAL 9011 graphite black

- **Supply schedule**
1 adapter plate
1 frame cover
2 depth braces
2 19" extrusions

- **How supplied**
Flat-packed kit

W	H	HU	Order no.	UP
493	355,6	8	04.412.650.7	1 unit



SYN20032

Multifunctional Braces (for technical pedestal)

- For routing cables with cable ties and as universal mounting option in the technical pedestal
- With square and round holes. Holes for mounting caged nuts
- Set of 2 x 417 mm (mounts vertically) and 1 x 427 mm (mounts horizontally)

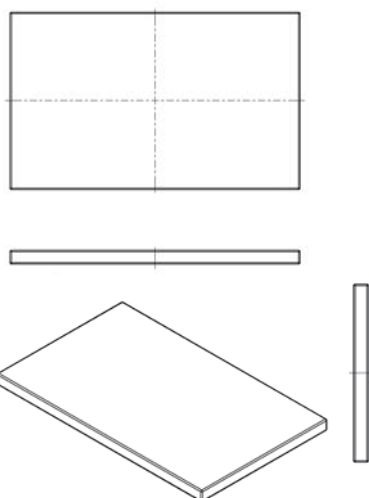
- **Material**
Sheet steel, zinc-passivated

- **Dimensions**
All 417 mm, width 70 mm

- **Supply schedule**
3 multifunctional braces
Mounting material

- **How supplied**
Flat-packed kit

H	W	Order no.	UP
417	567	04.415.655.7	1 unit



SYN20108

Insert Shelf (for technical pedestal)

As computer shelf in the technical pedestal.

- **Material**
19 mm three layer particle board, FP / Y E1 version, fire protection class B2.
Board coating: Direct coating with pressure laminate.

- **Finish**
.9: Board coating and veneer in RAL 7021 dark gray

- **Dimensions**
Width 400 mm or 600 mm

- **Supply schedule**
1 insert shelf

- **How supplied**
Flat-packed kit

W	H	D	Order no.	UP
400	19	245	04.412.007.9	1 unit
600	19	245	04.412.008.9	1 unit



SYN20033

Cable Chain

- Spacious, two-way cable chain with separator for separate cable routing
- Can be mounted on the left or right on the technical pedestal and the desk tray
- Also suitable for mounting on the rear perforation panel for desks

Material
Plastic

Finish
Black

Dimensions

Width, 115 mm; depth, 50 mm, length, approx. 940 mm

Supply schedule

1 cable chain
Mounting material

How supplied

Flat-packed kit

W	H	L	Order no.	UP
115	50	ca. 940	04.412.009.9	1 unit



ERG00005

Cable Basket Tray for technical pedestal

- Cabling system, suitable for the Knürr Synergy® technical pedestal
- Separate cable routing for data and network cables

Material
Cable basket tray, steel, coated

Finish
Sheet steel adapter, powder-coated, RAL 9006 white aluminum

Supply schedule

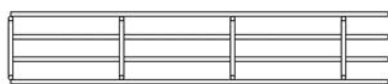
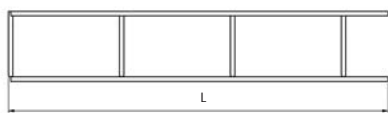
2 basket trays, suitable for Knürr Synergy® technical pedestal
2 adapters for basket tray mounting
Mounting material

How supplied

Flat-packed kit

Dimensions

Depth: 45 mm
Height: 53 mm
Length = Width - 260 mm



SYN20109

W	Order no.	UP
600	04.412.850.7	1 unit
800	04.412.851.7	1 unit
1000	04.412.852.7	1 unit
1200	04.412.853.7	1 unit
1400	04.412.854.7	1 unit
1600	04.412.855.7	1 unit
1800	04.412.856.7	1 unit
2000	04.412.857.7	1 unit

Dimensions in mm: W= Width
H = Height
D = Depth
h = Installation height
d = Usable depth
L = Length

HU = Standard height unit, 1 HU = 44.45 mm
19" = 482.6 mm, (ideal for 19" components in acc. with DIN 41494)
UP = Unit of packaging
kg = Weight

Conversion: 1 inch = 25,4 mm

Replace „x“ with the number of your color choice

Standard model Mobile Drawer Unit Technical data

- Bonded main unit
- All telescopic slides enclosed
- Drawer catch
- Central locking system with exchangeable cylinder
- 1 key as stabilizer

Drawer versions

- 1 OU (50 mm) material tray
Single extension
- 2 OU (100 mm) telescopic slides
Part pull-out
- 3 OU (150 mm) telescopic slides
Part pull-out

Drawer unit model:

- 1 utility tray
- 2 x 100 mm, 1 x 150 mm
(2x2 OU + 3 OU)

Material / finish

- Main unit and top cover:
Three-layer particle board, FP/Y E1

- version, directly coated, fire protection class B2
- Drawer tray:
Sheet steel in black
- Castor diameter, 37 mm
- Drawer trims in wood version,
drawer handle: Metal
- Main unit and edge dark gray

Dimensions

- Height, 461 mm
- Depth, 600 mm
- Width, 435 mm

Colour combination

- Final digit of order number .1:
- Top cover, drawer trims: Light gray
- Final digit of order number .5:
- Top cover and drawer trims: beech finish
- Final digit of order number .9:
- Top cover and drawer trims: basalt gray

Load rating

- 400 N per twin swivel castor

Standards

- Main unit, top cover and drawer trims: DIN 68765
- EN 438 for high pressure laminate

On request:

- Various drawer unit locking, with master key

Supply schedule

- 1 mobile drawer unit, (8 OU)

How supplied

- Assembled



MOB20093

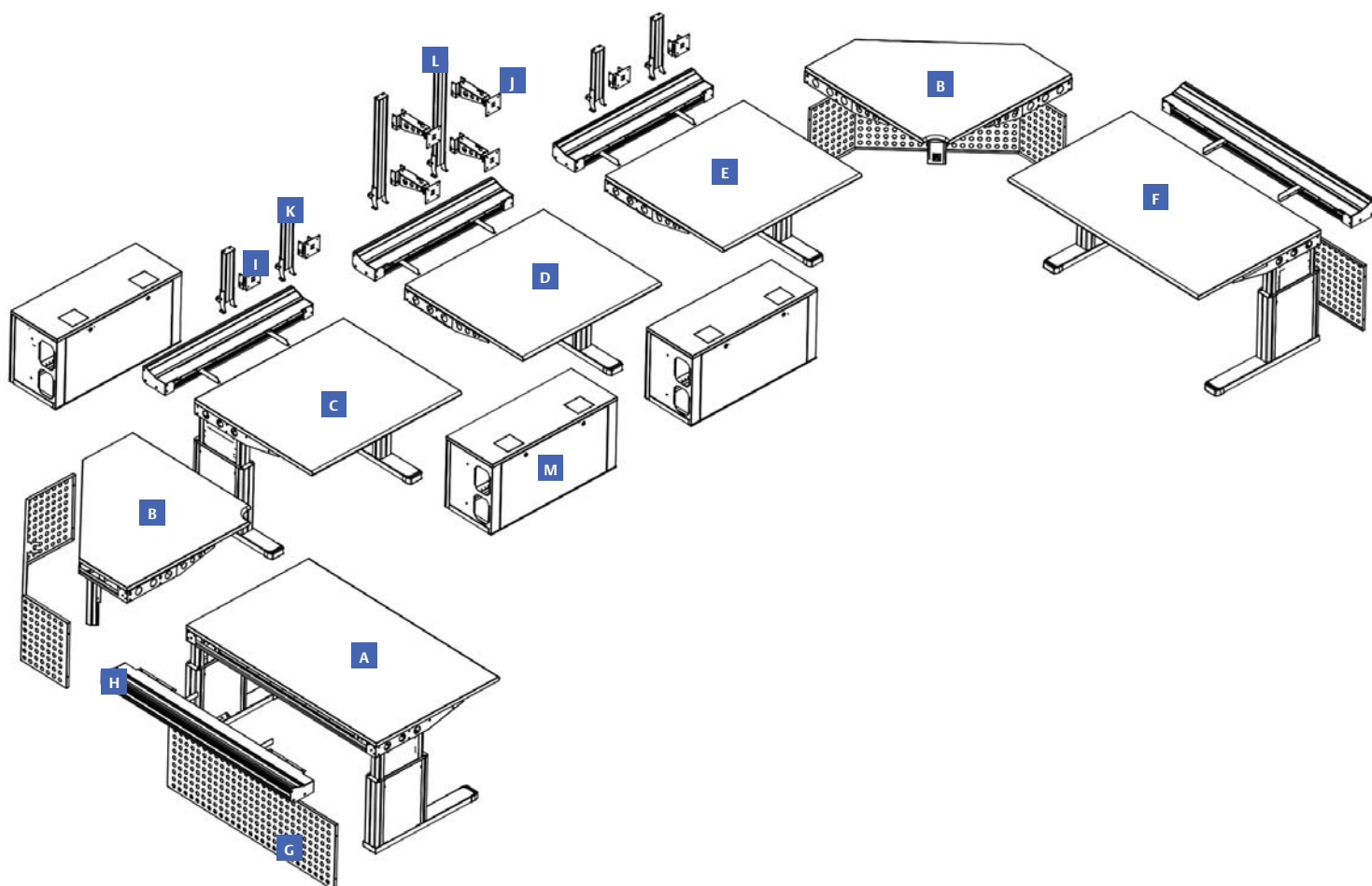
W	H	D	Model	Type	Order no.	UP
435	461	600	50-100-100-150		00.320.509.x	1 unit

Dimensions in mm: W= Width
 H = Height
 D = Depth
 h = Installation height
 d = Usable depth
 L = Length
 HU = Standard height unit, 1 HU = 44.45 mm
 19" = 482.6 mm, (ideal for 19" components in acc. with DIN 41494)
 UP = Unit of packaging
 kg = Weight

Conversion: 1 inch = 25,4 mm OU = Office Unit (Folder height = 50 mm = 1 OU)

Modular Console Concept

- A** Knürr Synergy® Starter Desk
Long/Short Leg Stabilizer
- B** Knürr Synergy® Corner Piece
- C** Knürr Synergy® Middle Link-up Desk
Short Leg Stabilizer
- D** Knürr Synergy® Add-on Desk
Short Leg Stabilizer
- E** Knürr Synergy® Add-on Desk
Short Leg Stabilizer
- F** Knürr Synergy® Link-up/End Desk
Long/Short Leg Stabilizer
- G** Knürr Synergy® Perforated Rear Panel
- H** Knürr Synergy® Monitor Level
- I** Knürr Synergy® Short TFT Arm
- J** Knürr Synergy® Telescopic TFT Arm
- K** Knürr Synergy® Flat Screen Adapter, 1-row
- L** Knürr Synergy® Flat Screen Adapter, 2-row
- M** Knürr Synergy® Technical Pedestal





SYN20020

Knürr SynergyWall® Strong points

- **Functionality and style:** A product family for uniform equipment and furnishing in the control room in a full-coverage modern design.
- **Spacious cable management** with plenty of space for switches, cables and power supplies. Completely covered from screen through to raised floor.
- **Modular setup** – industrially produced modules can be upgraded and added to at all times; available to buy for many years to come.
- **Application areas for the Knürr SynergyWall®**
 - TV studios, news studios
 - Process display in control rooms, control and measuring stations
 - Network Operation Centers (NOCs)
 - Data centers – computer monitoring
 - Operation control centers – police, fire department, rescue services
 - Municipal traffic monitoring
 - Security systems, video monitoring
 - Airport and train station information terminals
 - Reception areas
- **Practical benefits**
 - Quick and easy to set up
 - Monitor change: Effortlessly without any tools – simply hang on monitors!
 - Highest possible stability, even with large span widths
 - For all monitor sizes; different sizes can also be mixed
 - Straight wall or cockpit solution (10°)
 - Low installation depth/lower space requirement – good fit for small control rooms
Option: Without stabilizer foot at the rear
 - The monitor wall can be positioned in the room, regardless of what the room is made of
 - Optional rear and front panel covers provide optimum protection for cables and plugs
 - Optional pedestals provide space for computers, power supplies and documentation
 - Extension option with short cross extrusion for additional displays
 - Monitors can swivel up to 15° in four positions

INFO

Please Note:

We also offer LCD-screens for 24/7 use in control rooms as well as professional video control hard- and software in corporation with our well known partners. **Please let us know your requirements!**

Dimensions in mm: W= Width
H = Height
D = Depth
h = Installation height
d = Usable depth
L = Length

HU = Standard height unit, 1 HU = 44.45 mm
19" = 482.6 mm, (ideal for 19" components in acc. with DIN 41494)
UP = Unit of packaging
kg = Weight

Conversion: 1 inch = 25,4 mm

Replace „x“ with the number of your color choice



SYN20021

Knürr SynergyWall® complete configuration

- A complete configuration with four public displays – 1016 mm (40")
- Ready configured for immediate use

Material

- Side panels – extruded aluminum with top cover, sheet steel side panel covers and stabilizer feet, powder-coated
- Crosspieces – extruded aluminum, powder-coated
- Large monitor holder – sheet steel, powder-coated

Finish

- Side panel aluminum extrusions, cross extrusions and large monitor holder: RAL 9006 white aluminum
- Side panel covers, stabilizer feet and side panel top cover: RAL 7021 dark gray

Dimensions

- Total width – 2110 mm
- Clear width – 1890 mm
- Side panel: height, 2400 mm; depth, 290 mm; width, 107 mm

Supply schedule

- 2 side panels, with integrated vertical cable routing and stabilizer feet front and rear for highest possible stability
- 2 crosspieces for fixing the TFT adapter; with integrated horizontal cable routing
- 8 large monitor holders, tiltable to 15°
- 4 public displays, LCD, 1016 mm (40") (Make: Subject to manufacturer and technical changes due to short product cycles on the display market.)
- Network cable and VGA cable for 4 LCD monitors
- Mounting material

How supplied

- Flat-packed kit, partially assembled

W	H	Order no.	UP
2110	2400	04.102.030.9	



SYN20023

Knürr SynergyWall® Basic Frame

- Easy flat screen mounting between the monitor wall vertical extrusions
- Stable monitor hang-on with adjustable angle flat screen holders

Material

- Side panels – extruded aluminum with top cover, sheet steel side panel covers and stabilizer feet, powder-coated
- Crosspieces – extruded aluminum, powder-coated
- Large monitor holder – sheet steel, powder-coated

Finish

- Side panel aluminum extrusions, cross extrusions and large monitor holder: RAL 9006 white aluminum
- Side panel covers, stabilizer feet and side panel top cover: RAL 7021 dark gray

Dimensions

- Total width – 2110 mm
- Clear width – 1890 mm
- Side panel: height, 2400 mm; depth, 290 mm; width, 107 mm

Note

- Further sizes and variations possible on request

Supply schedule

- 2 side panels, with integrated vertical cable routing and stabilizer feet front and rear for highest possible stability
- 2 crosspieces for fixing the TFT adapter; with integrated horizontal cable routing
- 8 large monitor holders, for four public displays, 1016 mm (40"), tiltable to 15° in four positions
- Mounting material

How supplied

- Flat-packed kit, partially assembled

W	H	Order no.	UP
2110	2400	04.102.032.9	



SYN20023

Knürr SynergyWall® Side Panel

- Design harmonized with Knürr SynergyConsole®
- Spacious cable management with plenty of space for switches, cables and power supplies
- Economically integrated cable routing
- Split covers inside for easy cable routing; full on the outside
- Long stabilizer foot for freely placing the panel in the room, or without stabilizer foot at the rear for wall positioning
- T-slots outside for connecting cross supports and inside for mounting Knürr DI-Strip® socket strips and cable routing elements

- Material**
- Extruded aluminum, powder-coated
 - Covers and stabilizer foot: Sheet steel, powder-coated

- Finish**
- Extruded aluminum, RAL 9006 white aluminum
 - Sheet steel components, RAL 7021 dark gray

- Dimensions**
- Height, 2400 mm
 - Width, 107 mm
 - Depth, 290 mm
 - Stabilizer foot: Depth 1200 mm or 600 mm
 - Width, 129 mm

- Supply schedule**
- 1 side panel

- How supplied**
- Preassembled

W	H		Order no.	UP
107	2400	side panel	04.102.035.9	1 unit
107	2400	stabilizer foot, short	04.102.036.9	1 unit
107	2400	middle side panel	04.102.037.9	1 unit



SYN20022

Knürr SynergyWall® Cross Support

- For straight linking or in 10° angle
- Extruded aluminum stable cross support
- Depth-adjustable for optimum monitor arrangement
- Spacious cable management with plenty of space for switches, cables and power supplies
- Economical cable routing integrated in the cross support
- With T-slots for mounting Knürr DI-STRIP® socket strips and cable routing elements
- New: Short, stable cross extrusion, for small displays
- Internal or external on the side panels, and depth adjustable

- Material**
- Cross extrusion: Extruded aluminum, powder-coated
 - Adapter plates – aluminum, powder-coated

- Finish**
- RAL 9006 white aluminum

- Dimensions**
- Height: 120 mm
 - External depth: 60 mm
 - Width: 1900 mm, for 2 displays 1016 mm (40")

- Supply schedule**
- 1 cross extrusion
 - 2 adapter plates for connecting on the side panels
 - Cross support length – 400 mm:
 - 1 adapter plate, 1 closing panel
 - Mounting material

- How supplied**
- Flat-packed kit

W	H	D		Order no.	UP
1900	120	60	Complete cross support, straight	04.102.040.9	1 unit
1900	120	60	Complete cross support, 10° linking	04.102.041.9	1 unit
400	120	60	Cross support, short	04.102.042.9	1 unit



SYN20016



SYN20018



SYN20017

Knürr SynergyWall® Monitor Holder

- VESA adapter, quick and easy to hang on
- With safety screws against unintentional removal
- Screw on to the monitor – hang on – done!
- Angle adjustable up to 15° in three stages

Material/finish
Sheet steel, powder-coated

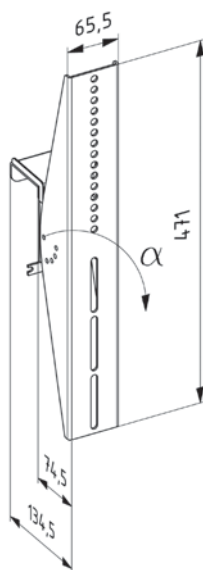
Finish
RAL 9006 white aluminum

Supply schedule
1 monitor holder
Mounting material

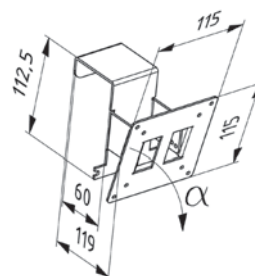
How supplied
Pre-assembled

Note
Large monitor holder: For display sizes 762 mm (30") to 1651 mm (65")
Two monitor holders are required for each display
Small monitor holder: With VESA adapter 75 mm/100 mm

	Order no.	UP
Large monitor holder	04.102.038.9	1 unit
Small monitor holder	04.102.039.9	1 unit



SYN20098



SYN20099

Dimensions in mm: W= Width
H = Height
D = Depth
h = Installation height
d = Usable depth
L = Length

HU = Standard height unit, 1 HU = 44.45 mm
19" = 482.6 mm, (ideal for 19" components in acc. with DIN 41494)
UP = Unit of packaging
kg = Weight

Conversion: 1 inch = 25,4 mm

Replace „x“ with the number of your color choice



SYN20005

Knürr SynergyCart® Strong points

The functional solution

- IT cart for hospitals (ward cart)
 - Equipment cart for health care
 - Test cart in production/workshops
 - Storage consignment, scanner cart
 - Ideal for automotive and industrial projects where small, space-saving carts with cable management are required
- The unmistakable design is harmonized with the Knürr Synergy® product family
 - Fully assembled and turnkey ready for use
 - Tested in accordance to the DIN EN 60601_1
 - Strong, and yet attractively designed sheet steel basic frame with vertical extruded aluminum supports for the highest possible safety and stability
 - ESD versions of all modules available
 - Modern, smooth-running double wheel castors in conductive version
 - Ergonomics in detail:

All modules can be mounted at any height, absolutely in accordance with the user's individual wishes

- User-friendly cable management with plenty of room for cables, socket strips, isolating transformers, cable exit to the front over the entire height

Material

- Sheet steel/extruded aluminum tube handle
- Cover with master switch optionally
- Aluminum extrusion vertical supports
- Modules can be mounted stepless on the height via T-slots on the aluminum extrusion
- Welded sheet steel base unit
- Spacious cable exit from the supports in the base tray
- Twin swivel castors, Ø125 mm
- Bumper caps



SYN20024



SYN200090

Dimensions in mm: W= Width
 H = Height
 D = Depth
 h = Installation height
 d = Usable depth
 L = Length

HU = Standard height unit, 1 HU = 44.45 mm
 19" = 482.6 mm, (ideal for 19" components in acc. with DIN 41494)
 UP = Unit of packaging
 kg = Weight

Conversion: 1 inch = 25,4 mm
 Replace „x“ with the number of your color choice



SYN20002

Knürr SynergyCart® Computer Cart

The mobile PC workstation, e.g. for stores, office, lab, training

Material

- Extruded aluminum vertical supports and handle, powder-coated
- Sheet steel basic frame and installation modules, powder-coated
- Plastic bumper caps

Finish

- .1: RAL 7035 light gray
- .9: Base unit, cover for base unit, bumper caps, handle, extrusion cover, worktops, keyboard extension, holder for tower PC: RAL 7021 dark gray
- Vertical extrusion, handle, vertical cable duct, flat screen holder: RAL 9006 white aluminum

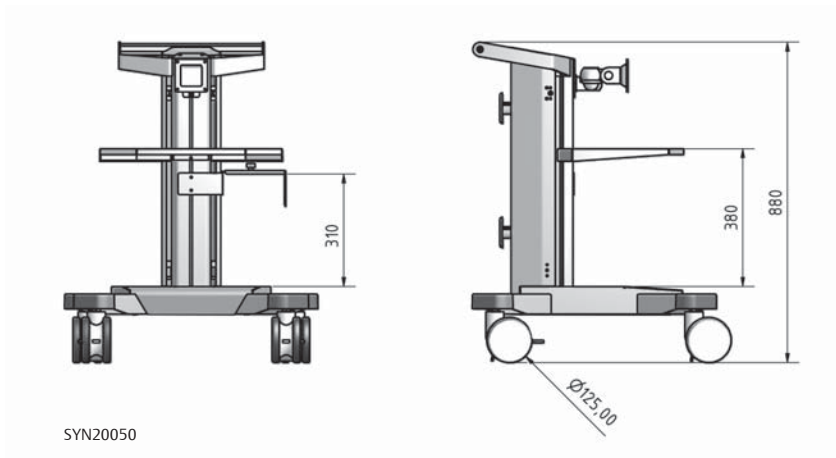
Load rating

- Permissible total weight: 125 kg
- Load per worktop: 15 kg
- Drawer load: Housing, 10 kg; extension, 2 kg

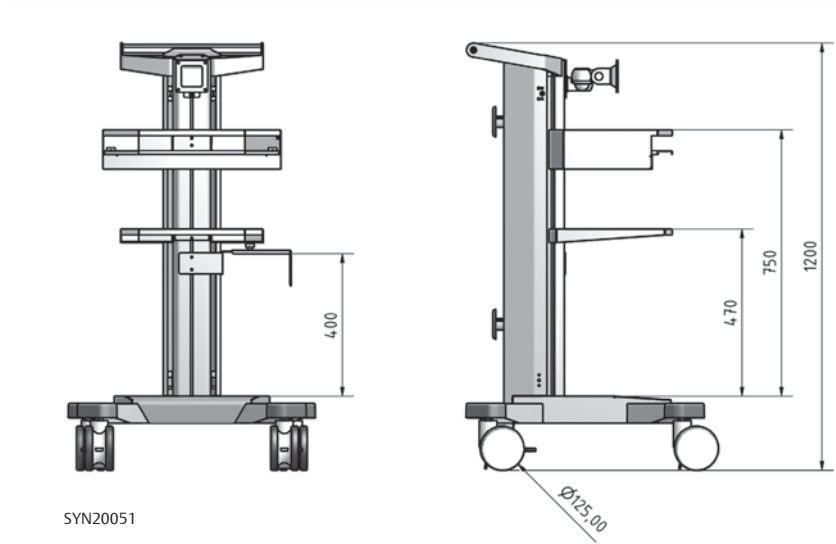
Supply schedule

- 1 Knürr SynergyCart® Basic Frame
- 1 vertical cable duct for H 880 mm or H 1,200 mm
- 1 handle
- 1 worktop
- 1 keyboard extension (only with height 1,200 mm)
- 1 flat screen holder
- 1 holder for tower PC
- ESD model with conductive castors and earthing-mounting material

H	ESD	Order no.	UP
880		00.705.300.1	1 unit
880		00.705.300.9	1 unit
880	•	00.705.305.1	1 unit
880	•	00.705.305.9	1 unit
1200		00.705.310.1	1 unit
1200		00.705.310.9	1 unit
1200	•	00.705.315.1	1 unit
1200	•	00.705.315.9	1 unit



SYN20050



SYN20051



SYN20000

Knürr SynergyCart® Laptop Cart

Flexible use in hospitals, offices, test environments, labs

Material

- Extruded aluminum vertical supports and handle, powder-coated
- Sheet steel basic frame and installation modules, powder-coated
- Plastic bumper caps

Finish

- .1: RAL 7035 light gray
- .9: Base unit, cover for base unit, bumper caps, handle, extrusion cover, worktops, drawer: RAL 7021 dark gray
- Vertical extrusion, handle, vertical cable duct: RAL 9006 white aluminum

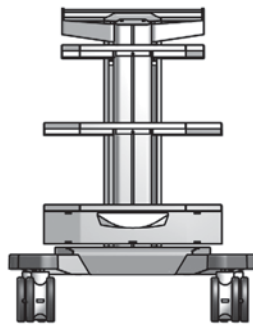
Load rating

- Permissible total weight: 125 kg
- Load per worktop: 15 kg
- Drawer load: Housing, 10 kg; extension, 2 kg

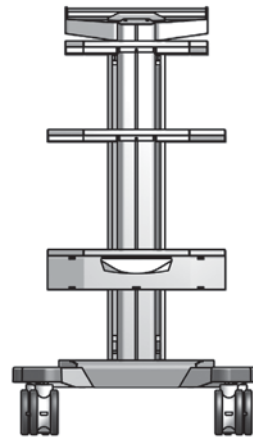
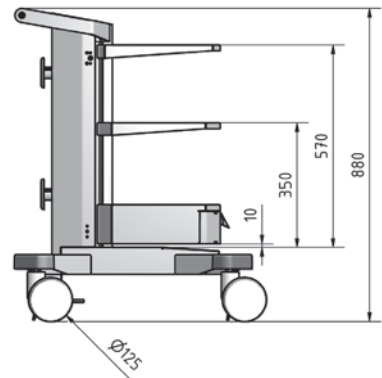
Supply schedule

- 1 basic frame H 880 mm or 1,200 mm
- 1 cable duct for H 880 mm or H 1,200 mm
- 1 handle
- 1 worktop, small
- 1 worktop, large
- 1 drawer
- ESD model with conductive castors and earthing-mounting material

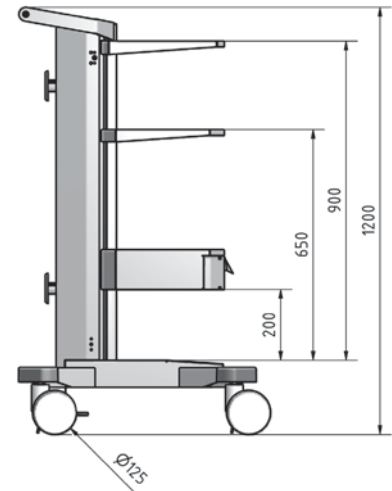
H	ESD	Order no.	UP
880		00.705.320.1	1 unit
880		00.705.320.9	1 unit
880	•	00.705.325.1	1 unit
880	•	00.705.325.9	1 unit
1200		00.705.330.1	1 unit
1200		00.705.330.9	1 unit
1200	•	00.705.335.1	1 unit
1200	•	00.705.335.9	1 unit



SYN20054



SYN20055



Dimensions in mm: W= Width
 H = Height
 D = Depth
 h = Installation height
 d = Usable depth
 L = Length

HU = Standard height unit, 1 HU = 44.45 mm
 19" = 482.6 mm, (ideal for 19" components in acc. with DIN 41494)
 UP = Unit of packaging
 kg = Weight

Conversion: 1 inch = 25,4 mm
 Replace „x“ with the number of your color choice



SYN20005

Knürr SynergyCart® Equipment Cart

Flexible use in test environments, labs

Material

- Extruded aluminum vertical supports and sliding handle, powder-coated
- Sheet steel basic frame and installation modules, powder-coated
- Plastic bumper caps

Finish

- .1: RAL 7035 light gray
- .9: Base unit, cover for base unit, bumper caps, handle, extrusion cover, worktops, keyboard extension and drawer: RAL 7021 dark gray
- Vertical extrusion, handle, vertical cable duct and transformer tray: RAL 9006 white aluminum

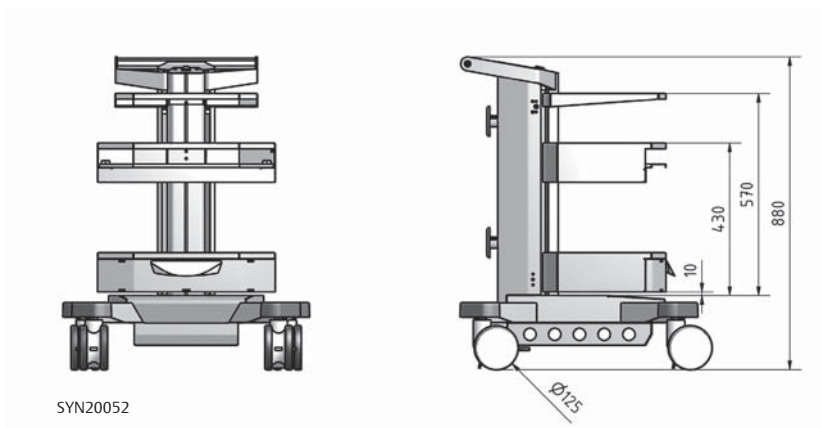
Load rating

- Permissible total weight: 125 kg
- Load per worktop: 15 kg
- Drawer load: Housing, 10 kg; extension, 2 kg
- Keyboard extension load: Housing, 10 kg; extension, 2 kg
- Transformer tray load: 20 kg

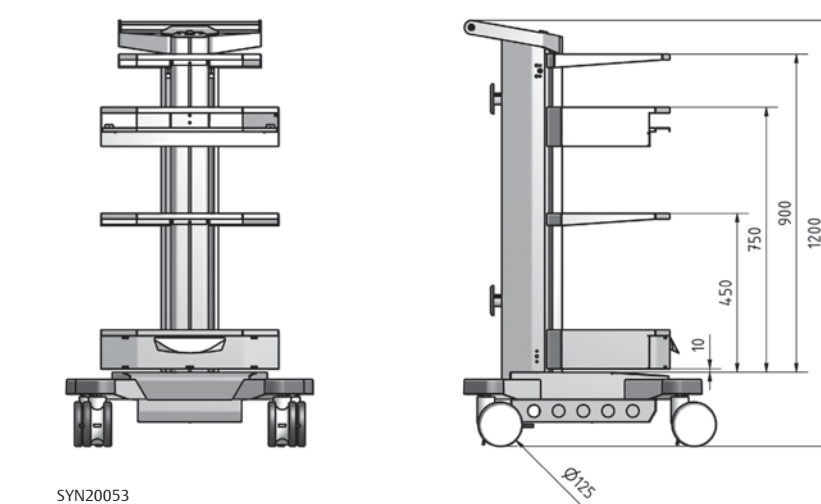
Supply schedule

- 1 basic frame H 880 mm or 1,200 mm
- 1 extrusion cover with switch
- 1 handle
- 1 small worktop
- 1 worktop, large (only height 1,200 mm)
- 1 keyboard extension
- 1 drawer
- 1 transformer tray
- ESD model with conductive castors and earthing-mounting material

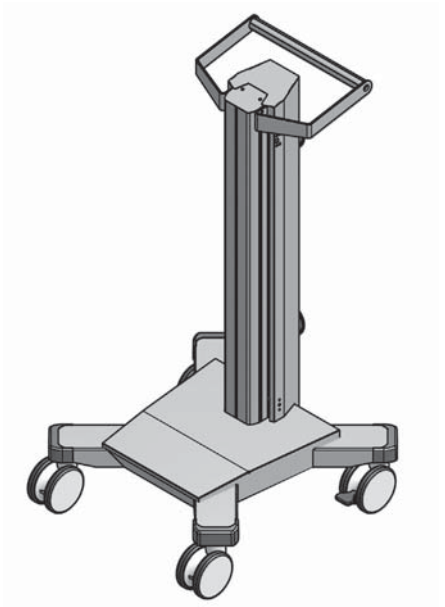
H	ESD	Order no.	UP
880		00.705.340.1	1 unit
880		00.705.340.9	1 unit
880	•	00.705.345.1	1 unit
880	•	00.705.345.9	1 unit
1200		00.705.350.1	1 unit
1200		00.705.350.9	1 unit
1200	•	00.705.355.1	1 unit
1200	•	00.705.355.9	1 unit



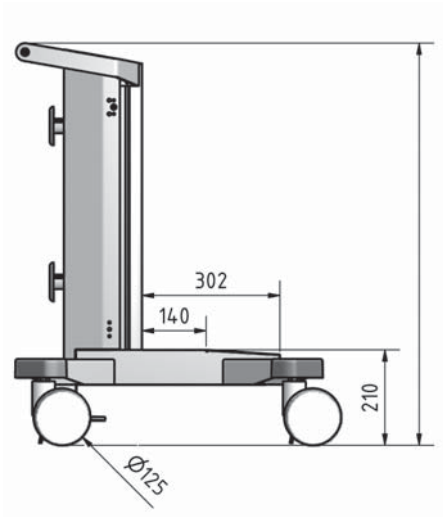
SYN20052



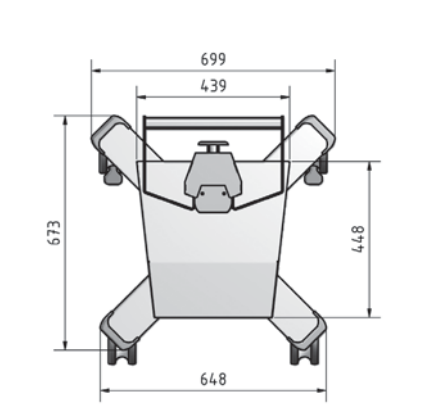
SYN20053



SYN20078



SYN20080



SYN20079

Knürr SynergyCart® Basic Frame

Base unit

- Robust sheet steel welded construction for highest possible stability
- Stabilizer foot position provides optimum stability
- Double wheel castors, 125 mm in modern design
- Bumper caps for protecting furniture
- Base unit cover is also the surface for mini-tower PCs

Aluminum vertical extrusion

- provides flexible screw-on options with T-slots for Knürr DI-STRIP® socket strips and cable routers
- All modules can be mounted at any height with T-slot system on vertical extrusions

Vertical cable duct

- mounted on the rear, plenty of space for cable volumes. Cable exits front and rear over the entire height

Material

- Extruded aluminum vertical supports and sliding handle, powder-coated
- Sheet steel basic frame and cable duct cover, powder-coated
- Plastic bumper caps

Finish

- .1: RAL 7035 light gray
- .9: Base unit, cover for base unit, impact protection caps, handle, extrusion cover: RAL 7021 dark gray
- Vertical extrusion, handle, vertical cable duct: RAL 9006 white aluminum

Load rating

- Permissible total weight: 125 kg
- Base unit cover: 10 kg

Supply schedule

- 1 handle
- 1 extruded aluminum vertical support
- 1 cable duct top cover
- 1 vertical cable duct
- 1 base unit
- Mounting material
- ESD model with conductive castors and earthing material

H	ESD	Order no.	UP
880		00.705.100.1	1 unit
1200		00.705.120.1	1 unit
880		00.705.100.9	1 unit
1200		00.705.120.9	1 unit
880	•	00.705.105.1	1 unit
1200	•	00.705.125.1	1 unit
880	•	00.705.105.9	1 unit
1200	•	00.705.125.9	1 unit



SYN20005



SYN20000

Knürr SynergyCart® Worktop

- Can be ergonomically mounted at any height, stepless
- Torsion-free and stable
- With recessed surface to prevent sliding and for anti-slip mats

Material
Sheet steel, powder-coated

Finish
.1: RAL 7035 light gray
.9: RAL 7021 dark gray

Load rating
15 kg

Supply schedule
1 worktop
Mounting material

W	T	ESD	Order no.	UP
400	300		00.705.200.1	1 unit
400	300		00.705.200.9	1 unit
500	300		00.705.220.1	1 unit
500	300		00.705.220.9	1 unit
400	300	•	00.705.205.1	1 unit
400	300	•	00.705.205.9	1 unit
500	300	•	00.705.225.1	1 unit
500	300	•	00.705.225.9	1 unit

Dimensions in mm: W= Width
H = Height
D = Depth
h = Installation height
d = Usable depth
L = Length

HU = Standard height unit, 1 HU = 44.45 mm
19" = 482.6 mm, (ideal for 19" components in acc. with DIN 41494)
UP = Unit of packaging
kg = Weight

Conversion: 1 inch = 25,4 mm

Replace „x“ with the number of your color choice



SYN20002

Knürr SynergyCart® Keyboard Extension

- Can be ergonomically mounted at any height, stepless
- Keyboard extension with mouse table, can be pushed out on the left or right
- Stable extension enclosure with telescopic slides
- Enclosure cover can be used as storage level
- With drawer safety catch against unintentional opening
- Also as ESD version

Dimensions
width, 505 mm; depth, 350 mm;
height, 110 mm
drawer width, 490 mm;
depth, 210 mm

Load rating
Housing, 10 kg; extension, 2 kg

Supply schedule
1 keyboard extension
Mounting material

Material
Main unit and extension: Sheet steel, powder-coated

Finish
.1: RAL 7035 light gray
.9: RAL 7021 dark gray

W	H	D	ESD	Order no.	UP
505	110	350		00.705.250.x	1 unit
505	110	350	•	00.705.255.x	1 unit



SYN20006

Knürr SynergyCart® Drawer

- Can be ergonomically mounted at any height, stepless
- With drawer safety catch against unintentional opening
- Also as ESD version

Dimensions
width, 505 mm; depth, 350 mm;
height, 110 mm
drawer width, 425 mm;
depth, 265 mm; height, 90mm

Load rating
Housing, 10 kg; extension, 2 kg

Supply schedule
1 drawer module
Mounting material

Material
Main unit and drawer: Sheet steel, powder-coated
Handle: Plastic, black

Finish
.1: RAL 7035 light gray
.9: RAL 7021 dark gray

W	H	D	ESD	Order no.	UP
500	300	110		00.705.270.x	1 unit
500	300	110	•	00.705.275.x	1 unit





SYN20011

Knürr SynergyCart® Cable Duct

- Included in the basic frame supply schedule
- Provides plenty of space for cable volumes
- Mounting on the rear vertical extrusion
- Greatest possible flexibility: Cable exits front and rear over the entire height
- Rear panel with Euro perforation for hang-on accessories such as:
 - Tray shelf
 - Cable winder

Material
Sheet steel, powder-coated

Finish
.1: RAL 7035 light gray
.9: RAL 9006 white aluminum

Dimensions
Usable depth, 140 mm

Supply schedule
1 cable duct
Mounting material

W	H	D	Order no.	UP
	880		00.705.292.x	1 unit
	1200		00.705.295.x	1 unit



SYN20012

Knürr SynergyCart® Tray Shelf

- For mounting on the rear of the cable duct
- Hanging on the rear perforations of the cable duct
- With safety screws

Material
Sheet steel, powder-coated

Finish
.1: RAL 7035 light gray
.9: RAL 7021 dark gray

Dimensions
Depth, 82 mm
Height, 75 mm
Width, 118 mm

Load rating
1 kg

Supply schedule
1 hang-on tray
Mounting material

W	H	D	Order no.	UP
118	75	82	00.705.296.x	1 unit

Dimensions in mm: W= Width
H = Height
D = Depth
h = Installation height
d = Usable depth
L = Length

HU = Standard height unit, 1 HU = 44.45 mm
19" = 482.6 mm,
(ideal for 19" components in acc. with DIN 41494)
UP = Unit of packaging
kg = Weight

Conversion: 1 inch = 25,4 mm

Replace „x“ with the number of your color choice



SYN20024

Knürr SynergyCart® Main Switch Module

- Top extrusion cover with central switch
- Lit switch, IP 54
- Cabled with 3.5 m mains cable with Schuko plug and outgoing 2 m cable with Euro plug, 1.5 mm² cross-section each for device cabling or as connector for Knürr DI-STRIP® socket strip
- Hidden cable routing in the vertical extrusion

Material

Extrusion cover: Sheet steel, powder-coated

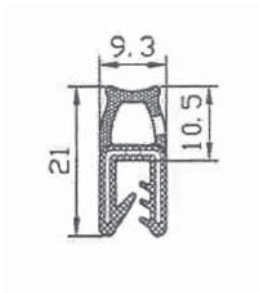
Finish

Extrusion cover:
.1: RAL 7035 light gray
.9: RAL 7021 dark gray

Supply schedule

1 central switch module
Mounting material

Order no.	UP
00.705.280.x	1 unit



SYN20067

Knürr SynergyCart® Cover Extrusion (for cable duct)

- For covering the vertical cable exits
- As dust protection and hiding from view

Dimensions

Lengths – 590 mm and 910 mm

Material

Soft rubber/sponge rubber with embedded steel clamp strap

Supply schedule

2 cover extrusions

Finish

Black

H	L		Order no.	UP
21	590	for height 880 mm	00.705.297.9	1 unit
21	910	for height 1200 mm	00.705.298.9	1 unit

Dimensions in mm: W= Width
H = Height
D = Depth
h = Installation height
d = Usable depth
L = Length

HU = Standard height unit, 1 HU = 44.45 mm
19" = 482.6 mm, (ideal for 19" components in acc. with DIN 41494)
UP = Unit of packaging
kg = Weight

Conversion: 1 inch = 25,4 mm

Replace „x“ with the number of your color choice



SYN20024

Knürr SynergyCart® Holder for PC Tower Enclosure

- Adjustable holder clamp for mini-tower PC
- The basic frame's top cover serves as a platform

Material
Sheet steel, powder-coated

Finish
.1: RAL 7035 light gray
.9: RAL 7021 dark gray

Dimensions
Adjustable width, 160 – 220 mm
Height-variable with T-slot mounting

Supply schedule
1 set of holders for PC tower enclosures
Mounting material

W	Order no.	UP
160-220	00.705.236.x	1 unit



SYN20014

Knürr SynergyCart® Holder for infusion stands

- Retaining clamps for infusion stands
- For 25 mm rod diameter
- 2 adapters, can be mounted at any height or on any side

Material
Aluminum, powder-coated

Finish
.1: RAL 7035 light gray
.9: RAL 7021 dark gray

Supply schedule
1 set of holders for infusion stands
Mounting material

Order no.	UP
00.705.068.x	1 unit



SYN20015

Knürr SynergyCart® Transformer Tray

- For mounting on the underside of the base unit
- The low mounting position increases tilt stability with optimum weight distribution
- With ventilation openings on the sides and in the base for safe heat dissipation

Material
Sheet steel, powder-coated

Finish
.1: RAL 7035 light gray
.9: RAL 9006 white aluminum

Dimensions
Usable depth, 370 mm
Height, 60 mm, usable height 110mm
Width, 294 mm

Load rating
20 kg

Supply schedule
1 transformer tray
Mounting material

Note
Designed for isolating-transformer, B/N 00.100.842.9

W	H	D	d	Order no.	UP
294	60	408	370	00.705.230.x	1 unit

WE PUT SPACE TO WORK. WORLDWIDE

Emerson is based in St. Louis, Missouri (USA), and as a leading technology and development specialist provides globally innovative customer solutions to industry, business and consumer markets in the areas of network power supply, process management, industrial automation and thermal management, as well as the corresponding equipment and tools.

Knürr Technical Furniture GmbH

Mariakirchener Straße 38
94424 Arnstorf • Germany
T +49 8723 28 0
F +49 8723 28 138
furniture@knuerr.com

The Knürr Technical Furniture manufactures and develops workstations for electronics labs and mobile equipment carriers for healthcare and automotive industries. Furthermore Knürr is the specialist for height adjustable control room workstations.

www.emerson.com

www.technical-furniture.com



While every precaution has been taken to ensure accuracy and completeness in this literature, InterMetro Industries Corporation assumes no responsibility and disclaims all liability for damages resulting from use of this information or for any errors or omissions.

The Emerson Logo is a trademark and a service mark of Emerson Electric Company.
©2012 Emerson Electric Co.

